

System 12RLFCC Submittal

AOU12RLFC, AUU12RLF

Compact Cassette

Job Name: _____ Approval: _____ Date: _____
 Location: _____ Construction: _____
 Engineer: _____ Unit #: _____
 Submitted to: _____ Drawing #: _____
 Submitted by: _____ Reference: _____



Outdoor Unit Power 208-230/VAC-1Ph-60Hz
 Available Voltage Range 187-253VAC
 Fuse Size, Max. 15A
 MCA 13.4A

Compressor Inverter Driven Variable Speed DC Rotary
 No. used 1
 Output 850W
 Lubrican Oil POE (RB68)

Fan type Propeller
 Motor Output 115W
 Airflow Rate Cooling/Heating (High) 1206 / 1083CFM

Refrigerant 410A
 Outdoor Unit 2lbs 10oz
 Control Electronic Expansion Valve
 O.D. Discharge (in) 1/4"(Flare)
 O.D. Suction (in) 3/8"(Flare)

Dimensions H x W x D
 Uncrated (in) 24-1/2 x 31-3/32 x 11-11/32
 (mm) (620 x 790 x 290)
 Crated (in) 28-1/16 x 37-7/32 x 15-9/16
 (mm) (713 x 945 x 395)

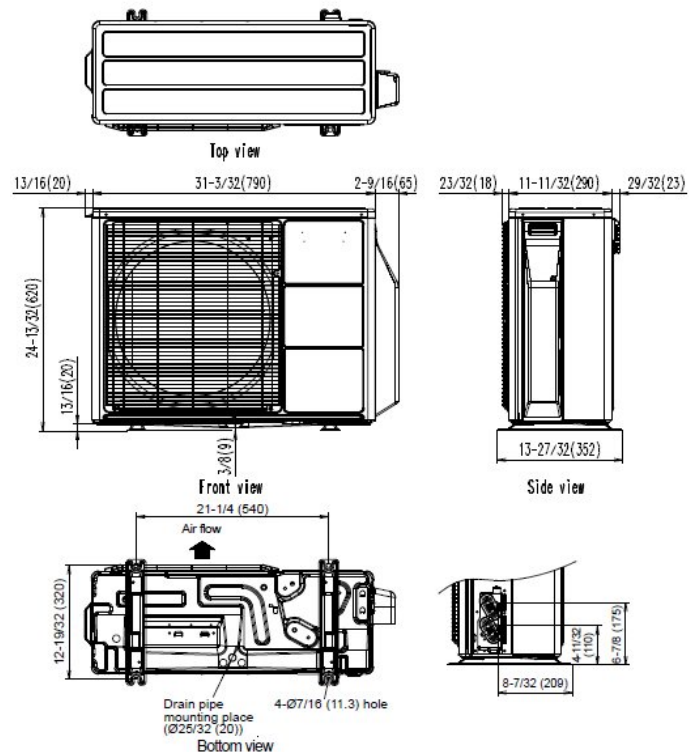
Weight Outdoor
 Net 84lbs (38kg)
 Gross Shipping 93lbs (42kg)

Cooling
 Rated Capacity 12,000BTU/h
 Min-Max Capacity 3,100~13,600BTU/h
 Rated Power Input 0.94kw
 Max. Power Input 1.45kw
 SEER 21.9
 Outdoor Sound Rating 49dB

Heating
 Rated Capacity 16,000BTU/h
 Min-Max Capacity 3,100~19,400BTU/h
 Rated Power Input 1.44kw
 Max. Power Input 2.00kw
 HSPF 12.2
 Outdoor Sound Rating 50dB

Piping Lengths
 Max. Piping Length (Total) 66ft
 Max. Pipe Height Difference 49ft
 Connection method (Flared)

Operating Range
 Cooling 14°F~115°F DB
 Heating -5°F~75°F DB



Fujitsu General America, Inc.
 Fairfield, NJ 07004
 Toll Free: 1-888-888-3424
 Fax: (973) 836-0447
 www.fujitsugeneral.com

Fujitsu products are subject to continuous improvements. Fujitsu reserves the right to modify product design, specifications and information in this data sheet without notice and without incurring any obligations.

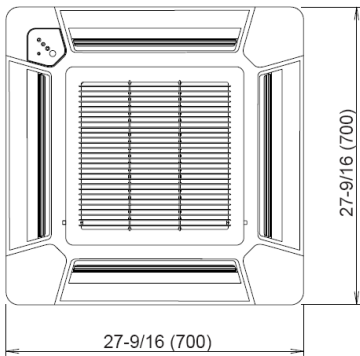


Power	V/Hz/P	230/60/1
Fan type		Turbo
No. Motors	(W)	42-1
CFM	(Hi,Me,Lo,Qu)	359/312/277/241
Sound Pressure Level	db (Hi,Me,Lo,Qu)	37/33/31/28
F.L.A.	(A)	.19
Refrigerant		410A
O.D. Discharge	in (mm)	1/4"(6.35)
O.D. Suction	in (mm)	3/8"(9.52)
Dimensions		H x W x D
Unit Uncrated	(in)	9-21/32 x 22-14/32 x 22-14/32
	(mm)	(245x570x570)
Unit Crated	(in)	10-7/16 x 28-3/4 x 24-19/32
	(mm)	(265x730x625)
Panel Uncrated	(in)	1-15/16 x 27-9/16 x 27-9/16
	(mm)	(49x700x700)
Panel Crated	(in)	4-23/32 x 30-1/8 x 29-23/32
	(mm)	(120x765x755)
Weight		
Unit Net	lbs. (kg)	33 (15)
Unit Gross Shipping	lbs. (kg)	40 (18)
Panel Net	lbs. (kg)	5.7 (2.6)
Panel Gross Shipping	lbs. (kg)	10 (4.5)

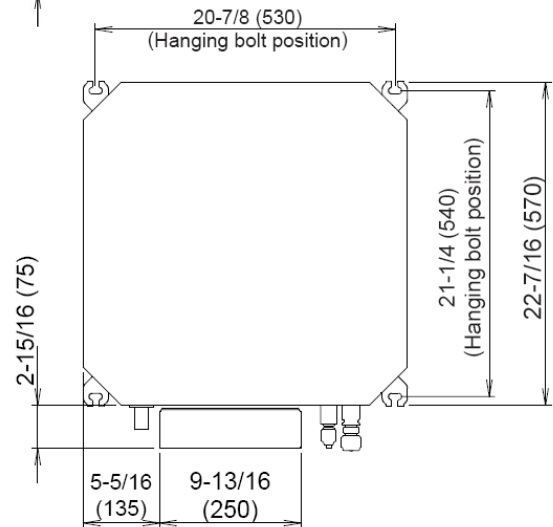
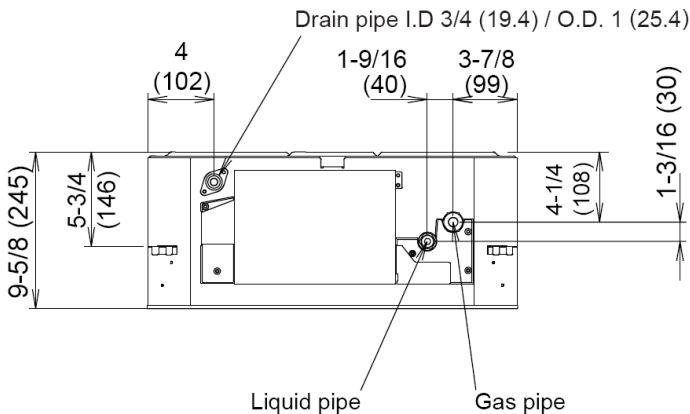
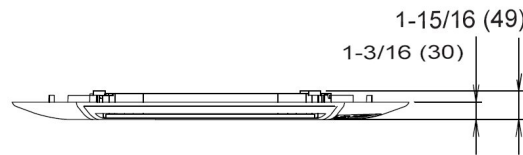
Cooling Capacity	(BTU/h)	12,000
Moisture Removal	pt/h (l/h)	2.5 (1.2)
Heating Capacity	(BTU/h)	16,000
Temperature Setting Range		
Cooling	°F(°C)	64~90 (18~32)
Heating	°F(°C)	60~88 (16~31)
Drain Pipe Size	OD in (mm)	Ø1 (25.4)
	ID in (mm)	Ø3/4 (19.4)
Condensate Pump Lift*	in (mm)	28 (700)
Remote Control Type		Wired (Wireless Optional)
Electrical Connection**	AWG	14/3 with ground

*Pump is capable of providing 28" of lift at no more than 6" away from the unit. Lift is measured from the suction of the pump which is located at the bottom of the unit and not the outlet of the condensate.

**Power and communication are fed from the outdoor unit.



Grille
(sold separately)



Note:

Specifications are based on the following conditions.

Power source of specifications : 230V

Cooling: Indoor temperature of 80°F(26.67°C)DB / 67°F(19.44°C)WB, and outdoor temperature of 95°F(35°C)DB/75°F(23.89°C)WB.

Heating: Indoor temperature of 70°F(21.11°C)DB / 60°F(15.56°C)WB, and outdoor temperature of 47°F(8.33°C)DB/43°F(6.11°C)WB.

Standard Static Pressure: 0.10in.WG (25Pa)

Pipe length : 16.4ft. (5m) [Outdoor unit - Branch box], 9.8ft. (3m) [Branch box - Indoor unit]

Height difference : 0 ft.(0m) [Outdoor unit - Indoor unit]

Fujitsu General America, Inc.
Fairfield, NJ 07004
Toll Free: 1-888-888-3424
Fax: (973) 836-0447
www.fujitsugeneral.com

Fujitsu products are subject to continuous improvements. Fujitsu reserves the right to modify product design, specifications and information in this data sheet without notice and without incurring any obligations.

