



Features

- Integral flange.
- Right drain.
- Integral lumbar support.
- Bask® heated surface creates spa-like relaxation with soothing warmth on your back, shoulders, and neck.
- 60" (1524 mm) x 32" (813 mm) x 21-1/4" (540 mm)
- Textured bottom surface.
- Integral apron with removable access panel.
- Coordinates with other products in the Bancroft® collection.

Material

- Acrylic

Installation

- Alcove

Recommended Accessories

- K- 1491 Bath/Whirlpool Pillow
- K- 1601 Bath/Whirlpool Footstop
- K- 7259 Clearflo Bath Drain
- K- 11677 Bath Drain
- K- 24916 Wireless Music Kit



Codes/Standards






- CSA B45.5/IAPMO Z124
- ASTM E162
- ASTM E662
- UL 1795
- Greenguard UL 2818 - Gold

KOHLER® One-Year Limited Warranty

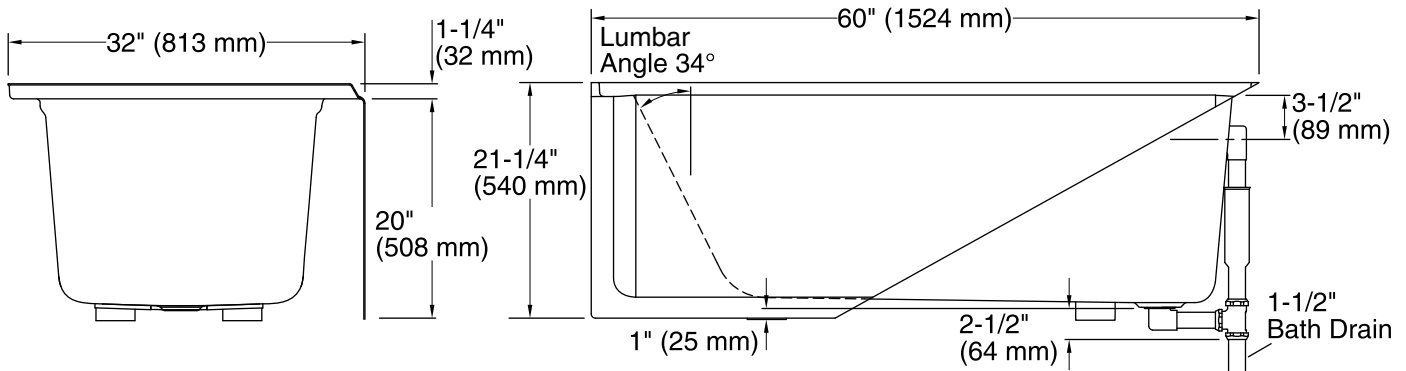
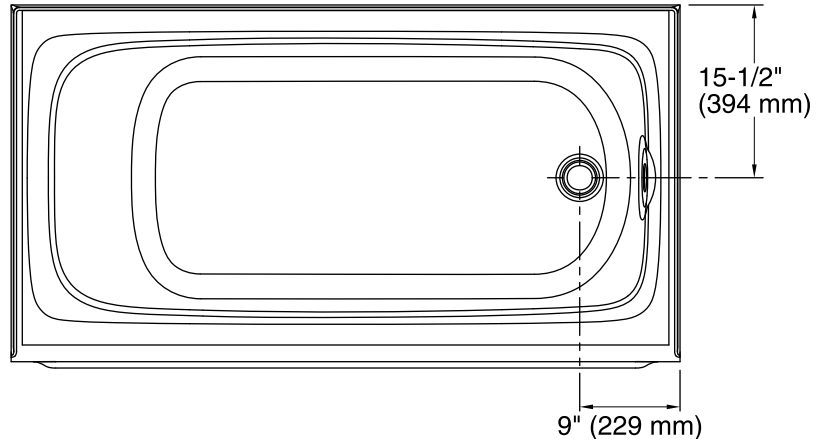
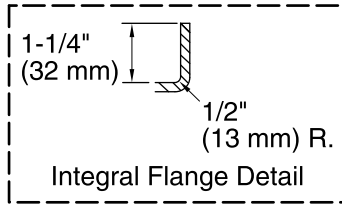
See website for detailed warranty information.

Available Color/Finishes

Color tiles intended for reference only.

Color	Code	Description
	0	White
	96	Biscuit
	47	Almond
	NY	Dune
	G9	Sandbar

No change in measurements if connected with drain illustrated. (K-11677)



Required Electrical Service

One circuit required, protected with Class A Ground-Fault Circuit-Interrupter (GFCI) or Residual Current Device (RCD).

Heated Surface: 120 V, 15 A, 60 Hz

Technical Information

All product dimensions are nominal.

Installation: 3-Wall Alcove

Drain location: Right

Basin area, bottom: 45" x 22" (1143 mm x 559 mm)

Basin area, top: 54" x 25" (1372 mm x 635 mm)

Weight: 80 lbs (36.3 kg)

Minimum floor load: 45 lbs/ft² (219.7 kg/m²)

Water depth: 15" (381 mm)

Water capacity: 60 gal (227.1 L)

Electrical component rating: Heated Surface: 120 V, 0.5 A, 60 Hz, 65 W

Notes

Measure your actual product for rough-in details.

Install this product according to the installation instructions.

The hot water supply should be 70% of the capacity of the bath or greater. Installations will vary.

Provide one grounded electrical outlet within 24" (610 mm) of each component.