

**Revision D:**

• MSZ-GE06/09/12/15/18NA-9 and MSY-GE09/12/15/18NA-9 have been added.

Please void OBB548 REVISED EDITION-C

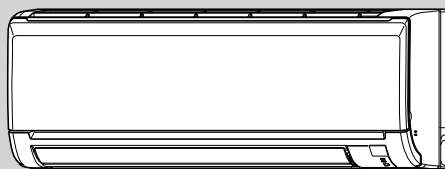
**INDOOR UNIT**

**PARTS CATALOG**

**No. OBB548  
REVISED EDITION-D**

**Models**

<b>MSZ-GE06NA</b>	<b>MSZ-GE06NA-<input type="checkbox"/>8,<input type="checkbox"/>9</b>
<b>MSZ-GE09NA</b>	<b>MSZ-GE09NA-<input type="checkbox"/>8,<input type="checkbox"/>9</b>
<b>MSZ-GE12NA</b>	<b>MSZ-GE12NA-<input type="checkbox"/>8,<input type="checkbox"/>9</b>
<b>MSZ-GE15NA</b>	<b>MSZ-GE15NA-<input type="checkbox"/>8,<input type="checkbox"/>9</b>
<b>MSZ-GE18NA</b>	<b>MSZ-GE18NA-<input type="checkbox"/>8,<input type="checkbox"/>9</b>
<b>MSZ-GE24NA</b>	
<b>MSY-GE09NA</b>	<b>MSY-GE09NA-<input type="checkbox"/>8,<input type="checkbox"/>9</b>
<b>MSY-GE12NA</b>	<b>MSY-GE12NA-<input type="checkbox"/>8,<input type="checkbox"/>9</b>
<b>MSY-GE15NA</b>	<b>MSY-GE15NA-<input type="checkbox"/>8,<input type="checkbox"/>9</b>
<b>MSY-GE18NA</b>	<b>MSY-GE18NA-<input type="checkbox"/>8,<input type="checkbox"/>9</b>
<b>MSY-GE24NA</b>	



**MSZ-GE06/09/12/15/18NA  
MSY-GE09/12/15/18NA**

**CONTENTS**

- 1. RoHS PARTS LIST..... 2
- 2. OPTIONAL PARTS..... 18

**SERVICE MANUAL (OBH548)**

**NOTE:**  
RoHS compliant products have <G> mark on the spec name plate.



**Revision A:**

• MSZ-GE24NA and MSY-GE24NA have been added.

**Revision B:**

• MSZ-GE06/09/12/15/18NA-**8** and MSY-GE09/12/15/18NA-**8** have been added.

**Revision C:**

• Electronic control P.C. boards for MSZ-GE06/09/12/15/18/24NA have been changed.

**Revision D:**

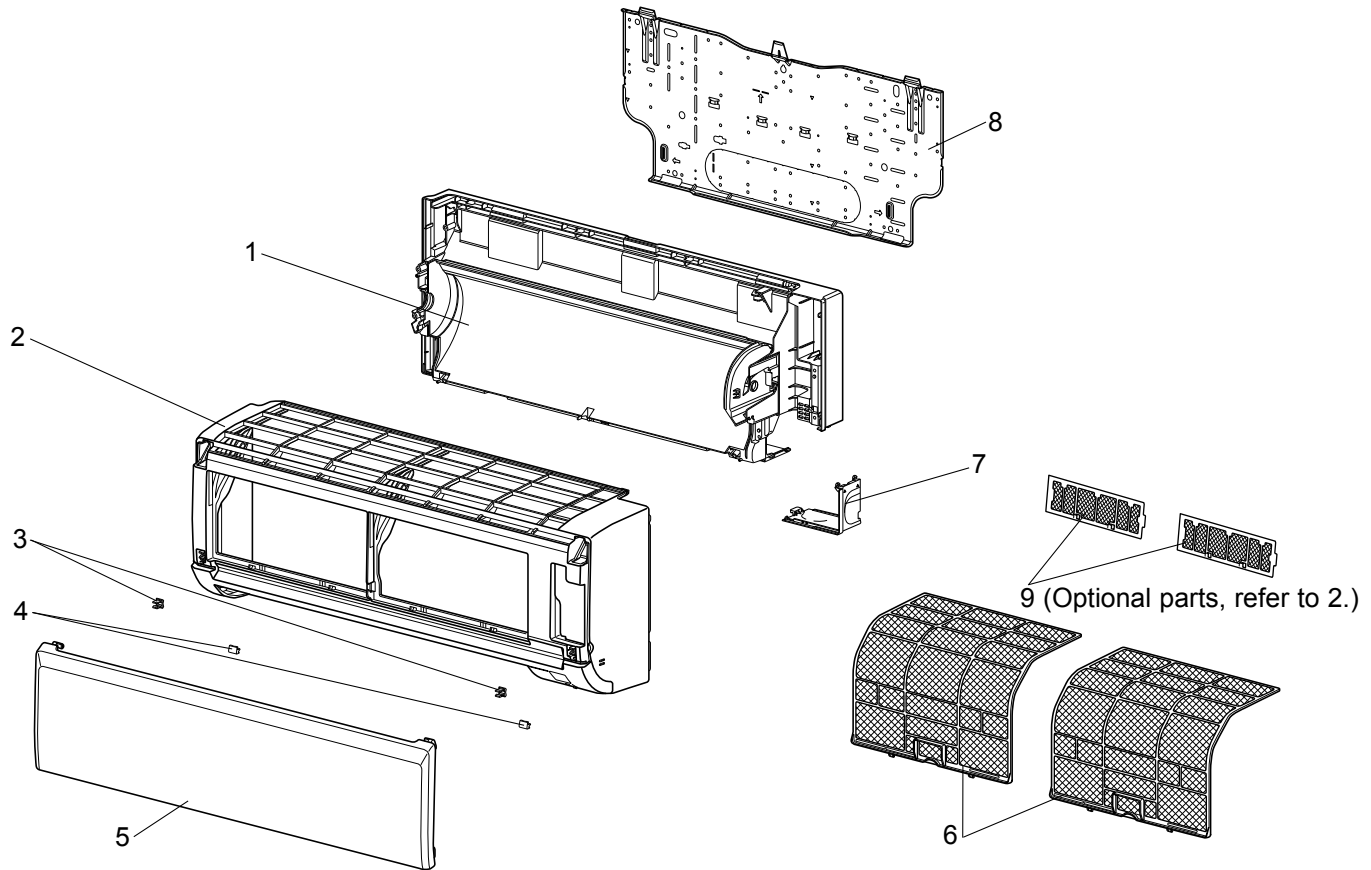
• MSZ-GE06/09/12/15/18NA-**9** and MSY-GE09/12/15/18NA-**9** have been added.

**1**

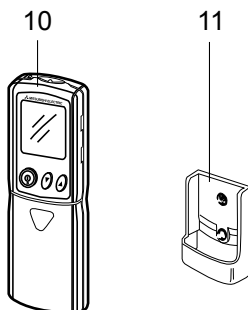
**RoHS PARTS LIST**

**MSZ-GE06NA MSZ-GE09NA MSZ-GE12NA MSZ-GE15NA MSZ-GE18NA  
MSY-GE09NA MSY-GE12NA MSY-GE15NA MSY-GE18NA**

**1-1. INDOOR UNIT STRUCTURAL PARTS**



**1-2. ACCESSORY AND REMOTE CONTROLLER**



# RoHS PARTS LIST

## 1-1. INDOOR UNIT STRUCTURAL PARTS

No.	RoHS	Part No.	Part name	Symbol in Wiring Diagram	Q'ty/unit								Remarks	
					MSZ-GE				MSY-GE					
					06 NA	09 NA	12 NA	15 NA	18 NA	09 NA	12 NA	15 NA		18 NA
1	G	E12 D68 234	BOX ASSEMBLY		1	1	1	1	1	1	1	1	1	
2	G	E12 E79 000	PANEL ASSEMBLY		1	1	1	1	1	1	1	1	1	Including No. 3,4,5
3	G	E12 408 142	CATCH		2	2	2	2	2	2	2	2	2	2 PCS/SET
4	G	E12 913 067	SCREW CAP		2	2	2	2	2	2	2	2	2	2 PCS/SET
5	G	E12 E79 010	FRONT PANEL		1	1	1	1	1	1	1	1	1	
6	G	E12 D68 100	CATECHIN AIR FILTER		2	2	2	2	2	2	2	2	2	1 PC/SET
7	G	E12 D68 975	CORNER BOX (RIGHT)		1	1	1	1	1	1	1	1	1	
8	G	E12 D68 970	INSTALLATION PLATE		1	1	1	1	1	1	1	1	1	
9	G	-	AIR CLEANING FILTER (ANTI-ALLERGY ENZYME FILTER)		2	2	2	2	2	2	2	2	2	MAC-408FT-E 2 PCS/SET

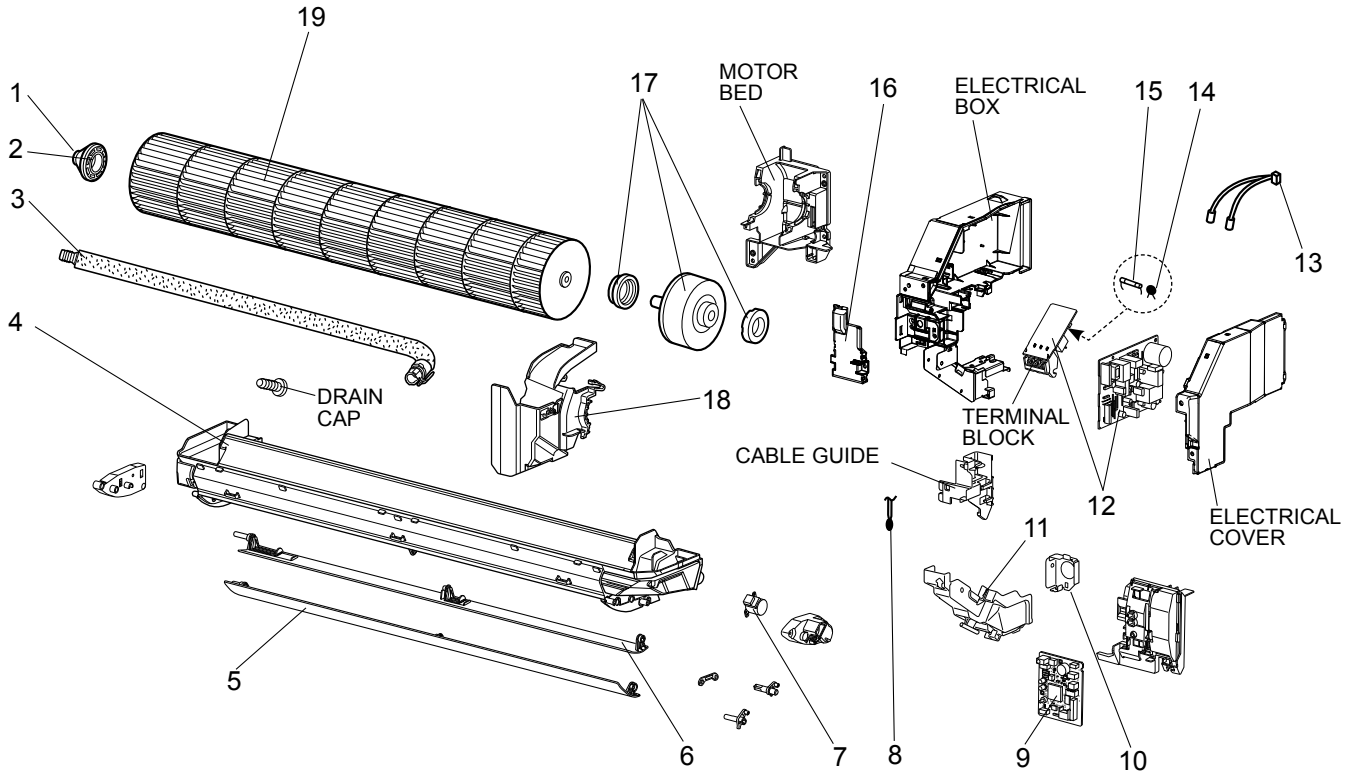
## 1-2. ACCESSORY AND REMOTE CONTROLLER

10	G	E12 E79 426	REMOTE CONTROLLER		1	1	1	1	1					KM09E
	G	E12 E83 426	REMOTE CONTROLLER							1	1	1	1	KM09F
11	G	E12 527 083	REMOTE CONTROLLER HOLDER		1	1	1	1	1	1	1	1	1	

# RoHS PARTS LIST

MSZ-GE06NA MSZ-GE09NA MSZ-GE12NA MSZ-GE15NA MSZ-GE18NA  
MSY-GE09NA MSY-GE12NA MSY-GE15NA MSY-GE18NA

## 1-3. INDOOR UNIT ELECTRICAL PARTS AND FUNCTIONAL PARTS



# RoHS PARTS LIST

## 1-3. INDOOR UNIT ELECTRICAL PARTS AND FUNCTIONAL PARTS

No.	RoHS	Part No.	Part name	Symbol in Wiring Diagram	Q'ty/unit								Remarks	
					MSZ-GE					MSY-GE				
					06 NA	09 NA	12 NA	15 NA	18 NA	09 NA	12 NA	15 NA		18 NA
1	G	E12 751 509	BEARING MOUNT		1	1	1	1	1	1	1	1	1	
2	G	E12 001 504	SLEEVE BEARING		1	1	1	1	1	1	1	1	1	
3	G	E12 897 702	DRAIN HOSE		1	1	1	1	1	1	1	1	1	
4	G	E12 E79 235	NOZZLE ASSEMBLY		1	1	1	1	1	1	1	1	1	
5	G	E12 D68 040	VANE (UPPER)		1	1	1	1	1	1	1	1	1	
6	G	E12 D68 041	VANE (LOWER)		1	1	1	1	1	1	1	1	1	
7	G	E12 A89 303	VANE MOTOR	MV	1	1	1	1	1	1	1	1	1	UP & DOWN
8	G	E12 D68 308	ROOM TEMPERATURE THERMISTOR	RT11	1	1	1	1	1	1	1	1	1	
9	G	E12 G57 452	ELECTRONIC CONTROL P.C. BOARD		1									
	G	E12 G58 452				1								
	G	E12 G59 452					1							
	G	E12 G60 452						1						
	G	E12 G61 452							1					
	G	E12 E83 452								1				
	G	E12 E84 452									1			
	G	E12 E85 452											1	
10	G	E12 E79 978	CONDUIT PLATE		1	1	1	1	1	1	1	1	1	
11	G	E12 E79 979	CONDUIT COVER		1	1	1	1	1	1	1	1	1	
12	G	E12 E79 440	POWER P.C. BOARD ※1		1	1	1	1	1	1	1	1	1	
13	G	E12 D68 307	INDOOR COIL THERMISTOR	RT12,RT13	1	1	1	1	1	1	1	1	1	
14	G	E12 B75 385	VARISTOR	NR11	1	1	1	1	1	1	1	1	1	
15	G	E12 A49 382	FUSE	F11	1	1	1	1	1	1	1	1	1	T3.15AL250V
16	G	E12 E79 784	V.A. CLAMP		1	1	1	1	1	1	1	1	1	
17	G	E12 E79 300	INDOOR FAN MOTOR ※2	MF	1	1	1	1	1	1	1	1	1	RC0J40-□□
18	G	E12 D68 333	MOTOR BAND		1	1	1	1	1	1	1	1	1	
19	G	E12 A89 302	LINE FLOW FAN		1	1	1	1	1	1	1	1	1	

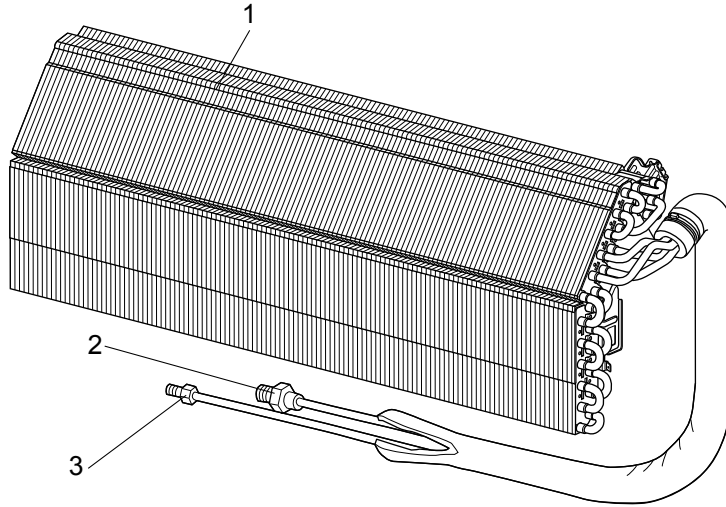
※1 Including TERMINAL BLOCK with TERMINAL P.C. BOARD

※2 Including FAN MOTOR RUBBER MOUNT (2 PCS/SET)

# RoHS PARTS LIST

MSZ-GE06NA MSZ-GE09NA MSZ-GE12NA MSZ-GE15NA MSZ-GE18NA  
 MSY-GE09NA MSY-GE12NA MSY-GE15NA MSY-GE18NA

## 1-4. INDOOR UNIT HEAT EXCHANGER



No.	RoHS	Part No.	Part name	Symbol in Wiring Diagram	Q'ty/unit										Remarks
					MSZ-GE					MSY-GE					
					06 NA	09 NA	12 NA	15 NA	18 NA	09 NA	12 NA	15 NA	18 NA		
1	G	E12 D68 620	INDOOR HEAT EXCHANGER		1	1	1			1	1				
	G	E12 D71 620						1	1			1	1		
2	G	E12 815 666	UNION (GAS) (ø9.52)		1	1	1			1	1			ø3/8	
	G	E12 155 666	UNION (GAS) (ø12.7)					1	1			1	1	ø1/2	
3	G	E12 151 667	UNION (LIQUID) (ø6.35)		1	1	1	1	1	1	1	1	1	ø1/4	