

Foot Valve

Model 60SE

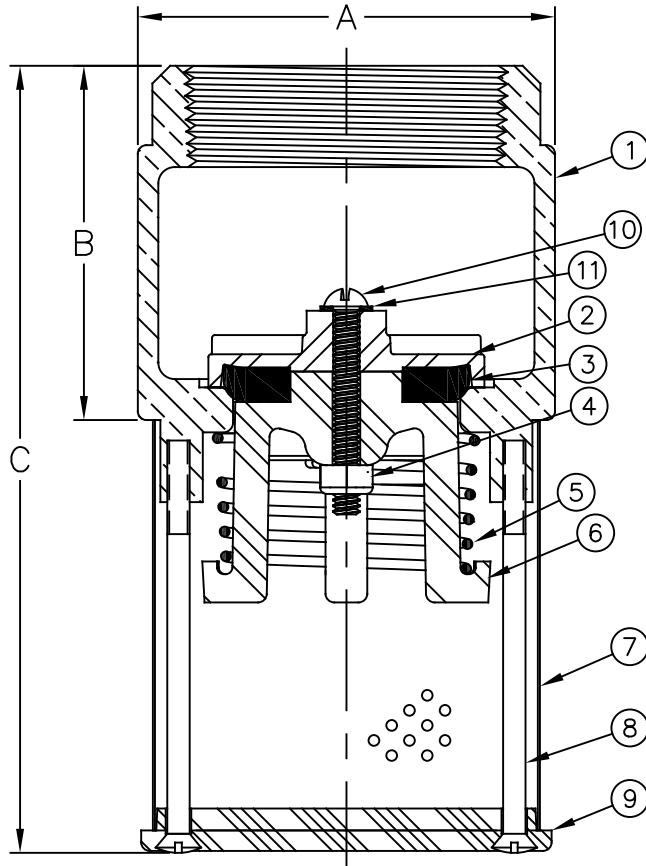
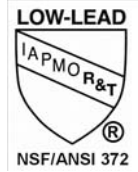


Flomatic Corporation

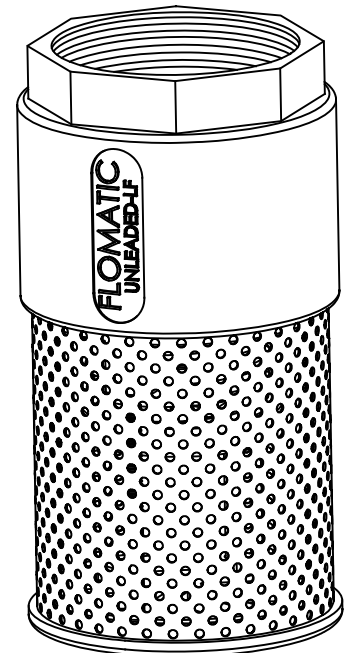
Sizes 2" / 50 mm

Materials

Enviro Check®



FLOW ↑



Temp Max: 180°F (82°C)
Pressure Max: 250 psi (17 bar)

Item #	Qty	Description	Material	ASTM	Item #	Qty	Description	Material	ASTM
1	1	Body	Unleaded Bronze	C89833	7	1	Screen	Stainless Steel	304
2	1	Dome	Stainless Steel	304	8	2	Screw	Stainless Steel	18-8
3	1	Disc	Buna-n	N-5007	9	1	Cap	Delrin	500
4	1	Nut	Stainless Steel	18-8	10	1	Screw	Stainless Steel	18-8
5	1	Spring	Stainless Steel	303	11	1	Washer	Nylon	----
6	1	Guide	Celcon	M90					

Dimensions (FNPT)

Size		Part #	A		B		C		Weight	
inch	mm		inch	mm	inch	mm	inch	mm	lbs	kg
2	50	4105E	3-3/64	77	2-19/32	66	5-3/4	146	2-7/64	.95

Flomatic Corporation can accept no responsibility for possible errors in catalogues, brochures and other printed material. Flomatic Corporation reserves the right to alter its products without notices. This also applies to product already agreed. All trademarks in this material are property of the respective companies. All right reserved. ©2019 Flomatic Corporation. The drawings & information on this drawing sheet are the sole & exclusive property of Flomatic Corporation. Any reproduction, distribution, display or use of these drawings or information in whole or in part without written authorization of Flomatic Corporation is strictly prohibited. www.flomatic.com



May 5, 2006
Dwg No: S4105E Rev: G (4/19)

FLOMATIC CORPORATION
GLENS FALLS, N.Y. 12801
PHONE (518) 761-9797
FAX (518) 761-9798