



McGuire Manufacturing Co., Inc.

60 Grandview Court
 Cheshire, Connecticut 06410
 (203) 699-1801 Fax (203) 699-1813
 customerservice@mcguiremfg.com mcguiremfg.com

PRODUCT SPECIFICATION

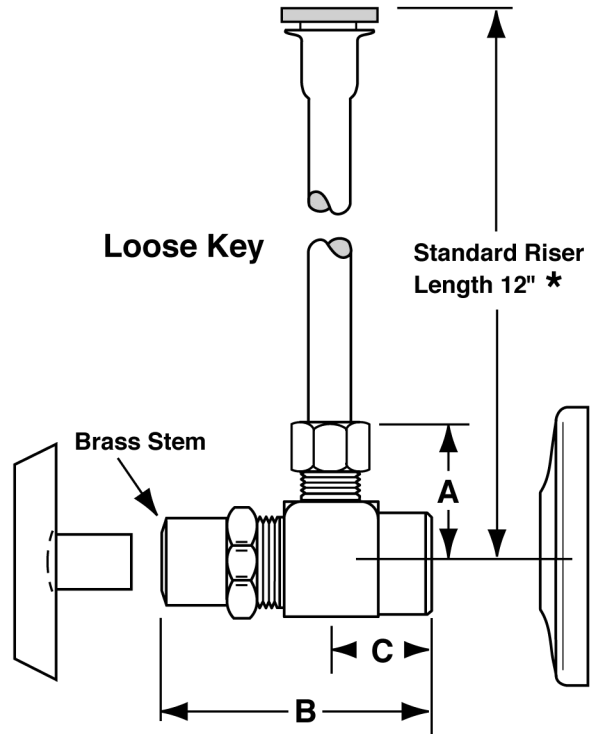
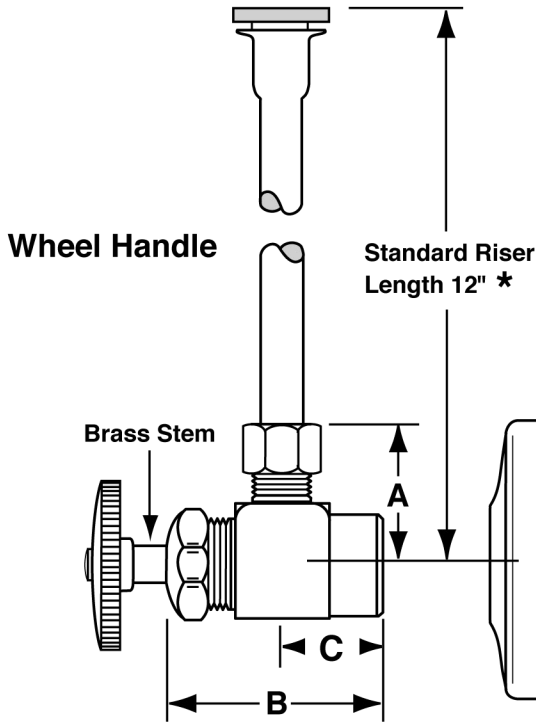
Part No.

**LFH166, LFH166LK,
 LFH169, LFH169LK**

**Heavy Closet Supply
 3/8" I.P.S. x O.D.**

Job Name: _____

Submittal Number: _____



NO.	DESCRIPTION	ROUGHING MEASUREMENTS		
		A	B	C
LFH166	3/8" I.P.S. x 3/8" O.D.	1-3/8"	1-15/16"	1"
LFH166LK	3/8" I.P.S. x 3/8" O.D.	1-3/8"	2-7/16"	1"
LFH169	3/8" I.P.S. x 1/2" O.D.	1-3/8"	1-15/16"	1"
LFH169LK	3/8" I.P.S. x 1/2" O.D.	1-3/8"	2-7/16"	1"



LK designates Loose Key

* See options and accessories section for details on product variations.

Specifications:

Supply kit shall include lead free chrome plated heavy pattern brass supply stop valves with full turn brass stem, no plastic, (12, 15, 20) inch chrome plated risers and (shallow, deep, bell) (steel, brass) or (forged brass with set screw) flange. Inlet shall be (3/8, 1/2) inch (IPS, sweat, compression). Outlet shall be (3/8, 1/2) inch (IPS, compression). Supply kit shall be McGuire _____. Supply kit shall be certified by recognized authority and bear manufacturer and testing mark.



WARNING:

This product can expose you to chemicals including lead, which is known to the State of California to cause cancer, and birth defects or other reproductive harm. For more information go to www.P65Warnings.ca.gov.