



McGuire Manufacturing Co., Inc.

60 Grandview Court
 P.O. Box 746 • Cheshire, CT 06410
 203-699-1801 • Fax: 203-699-1813
 www.mcguiremfg.com

PRODUCT SPECIFICATION

Part No.

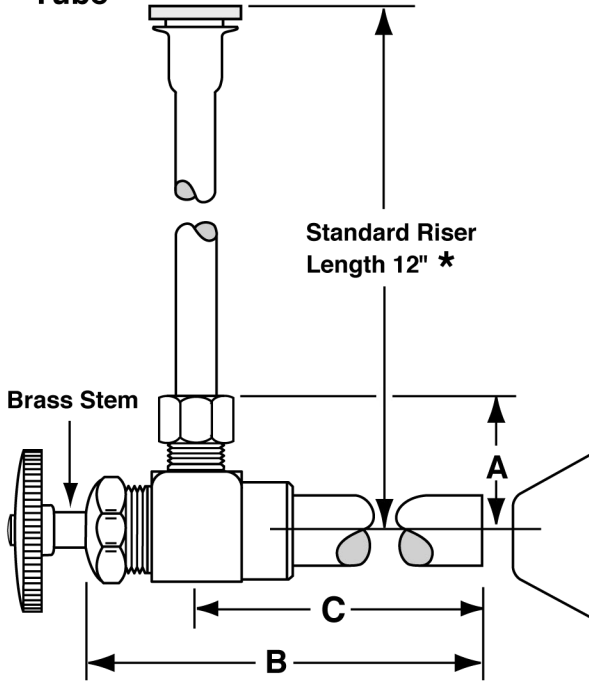
**LFH172, LFH172LK,
 LFH173, LFH173LK**

**Heavy Sweat Closet
 Supply w/ 5" Extension**

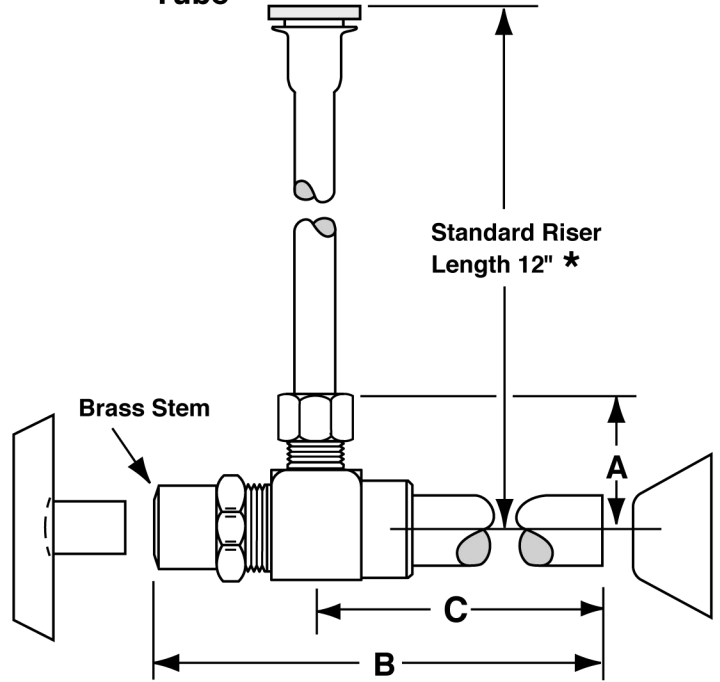
Job Name:

Submittal Number:

**Wheel Handle
 w/ 5" Extension
 Tube**



**Loose Key
 w/ 5" Extension
 Tube**



NO.	DESCRIPTION	ROUGHING MEASUREMENTS		
		A	B	C
LFH172	1/2" Sweat x 3/8" O.D.	1-3/8"	6-7/8"	5-3/4"
LFH172LK	1/2" Sweat x 3/8" O.D.	1-3/8"	7-7/16"	5-3/4"
LFH173	1/2" Sweat x 1/2" O.D.	1-3/8"	6-7/8"	5-3/4"
LFH173LK	1/2" Sweat x 1/2" O.D.	1-3/8"	7-7/16"	5-3/4"

LK designates Loose Key

* See options and accessories section for details on product variations.



Specifications:

Supply kit shall include lead free chrome plated heavy pattern brass stops with full turn brass stem, no plastic (12, 15, 20) inch chrome plated copper risers and (shallow, deep, bell) (steel or brass) or (forged brass with set screw) flange. Inlet shall be (3/8, 1/2) inch (IPS, sweat, compression). Outlet shall be (3/8, 1/2) inch (IPS, compression). Supply kit shall be McGuire _____. Supply kit shall be certified by recognized authority and bear manufacturer and testing mark.



WARNING:

This product can expose you to chemicals including lead, which is known to the State of California to cause cancer, and birth defects or other reproductive harm. For more information go to www.P65Warnings.ca.gov.