



# COMMERCIAL-GRADE RESIDENTIAL GAS WATER HEATERS

## PROLINE® XE POWER VENT COMMERCIAL-GRADE RESIDENTIAL

### VERSATILE POWER VENT DESIGN

- All models feature an exclusive 3-position rotatable blower outlet which adds flexibility
- Combined horizontal and vertical vent runs up to 180 equivalent feet with 4" diameter venting (ABS, PVC, CPVC and polypropylene)
- All models are equipped with a protected sensor that detects the presence of flammable vapors and automatically disables the burner to prevent ignition
- Air intake snorkel elevates the inlet location of combustion air to prevent flammable vapors from entering the sealed combustion chamber
- Reduced NOx emissions comply with air quality management district regulations

### ENERGY STAR® QUALIFIED

- All models (except GS6 75 YRVHTL) meet the ENERGY STAR® EF requirement and may also qualify for local utility and rebate programs.
- Built-in heat traps on the water inlet and outlet reduce the amount of heat lost through piping
- 2-inch thick, "Environmentally-Friendly" foam insulation reduces the amount of heat loss and contributes to overall energy efficiency

### SELF-CLEANING DIP TUBE

- Reduces lime and sediment buildup and maximizes hot water output. Made from long-lasting PEX cross-linked polymer.

### HOT-SURFACE IGNITOR

- More robust and reliable than standing pilot, and reduces energy consumption

### BLUE DIAMOND® GLASS COATING

- Provides superior corrosion resistance compared to industry standard glass lining

### USER-FRIENDLY

- State-of-the-art electronic gas control provides more precise temperature control
- LED control light displays operation status and diagnostics information

### ENHANCED-FLOW BRASS DRAIN VALVE

- Our residential water heaters have a solid brass, tamper resistant, enhanced-flow, ball type, drain valve.
- Uses a standard female hose fitting that allows for fast and easy draining during maintenance.
- Designed for easy operation, this valve includes an integral screwdriver slot that features a ¼ turn (open/close) radius, which not only permits full straight-through water flow but also a quick and positive shut off.

### AVAILABLE IN NATURAL GAS AND PROPANE

### DESIGN-CERTIFIED BY CSA INTERNATIONAL

- Certified at 150 psi working pressure
- Certified to ANSI Z21.10.1 - CSA 4.1 or ANSI Z21.10.3 - CSA 4.3 standards governing storage tank-type water heaters.

### 6-YEAR LIMITED TANK AND PARTS WARRANTY

- For complete information, consult written warranty or State Water Heaters.



(EXCEPT GS6 75 YRVHTL)



# SOLID. STATE.



# COMMERCIAL-GRADE

## RESIDENTIAL GAS WATER HEATERS

Model Number	Series	Gallon Capacity	Energy Factor (EF)	Recovery @ 90°F Rise Per Hour	BTU Input Gallon Per Hour	First Hour Rating	Dimensions in Inches								Approx. Shipping Weight (lbs)
							A	B	C	D	E	F	G	H	
GS6 40 YBVIS	200	40	0.70	44.7	40,000	73	59	49-5/8	22	29-1/8	11	13-1/4	42-1/2	N/A	174
GS6 40 YRVIT	200	40	0.70	55.9	50,000	90	68-1/2	59-1/4	20	27-1/8	11	13-1/4	53-1/8	15-1/4	176
GS6 50 YBVIS	200	50	0.70	44.7	40,000	90	60-1/8	50-3/4	24	31-1/8	11	13-1/4	43-3/4	N/A	198
GS6 50 YRVIT	200	50	0.70	55.9	50,000	96	68-1/8	58-3/4	22	29-1/8	11	13-1/4	51-3/4	15-1/4	192
GS6 50 YRVHSL	200	50	0.70	69.3	62,000	110	61-1/8	52	24	31-1/8	11	13-1/4	44-1/2	15-1/4	212
†GS6 75 YRVHTL	210	75	N/A	80.4	76,000	N/A	70-5/8	61-1/4	26	33-1/8	11	13-1/4	53	15-1/4	277

All models have 3/4" NPT water connections.

Side loop fittings standard on YRVHSL and YRVHTL models.

Side loop fittings available on YRVIT models. Add "L" to the model number (example GS6 40 YRVITL).

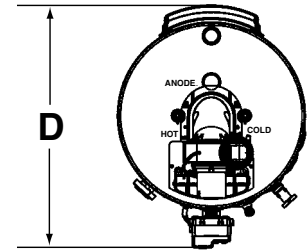
Natural gas models cited are series 200/210. Propane models are series 201/211. When ordering propane gas, change "Y" to "H" in the model number (example GS6 40 HBVIS).

All models rated for installation at altitudes up to 10,100 ft.

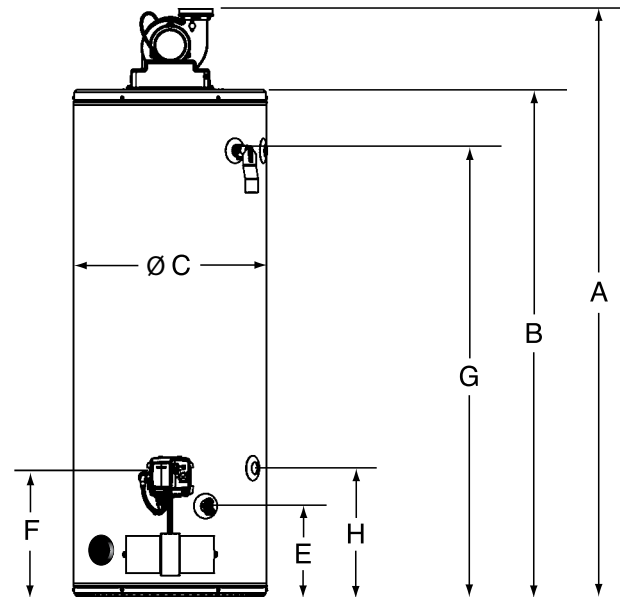
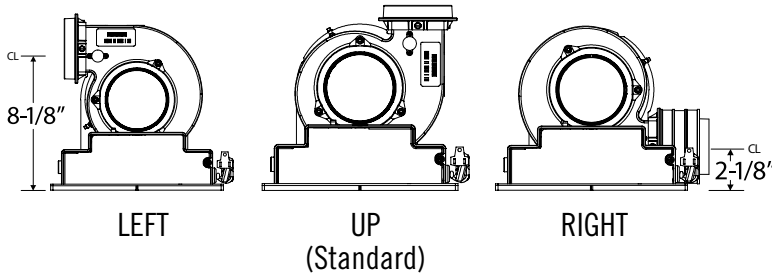
†GS6 75 YRVHTL is not ENERGY STAR® qualified.

### VENT LENGTH

Model Number	Maximum Vent Length Eq. ft.		
	2"	3"	4"
GS6 40 YBVIS	50'	125'	180'
GS6 40 YRVIT	50'	125'	180'
GS6 50 YBVIS	50'	125'	180'
GS6 50 YRVIT	50'	125'	180'
GS6 50 YRVHSL	N/A	50'	125'
GS6 75 YRVHTL	N/A	50'	125'



### Three Position Rotatable Blower



FOR MORE INFORMATION CONTACT: STATE WATER HEATERS 500 TENNESSEE WALTZ PARKWAY, ASHLAND CITY, TN 37015 • 800-365-0024 TOLL-FREE USA • STATEWATERHEATERS.COM