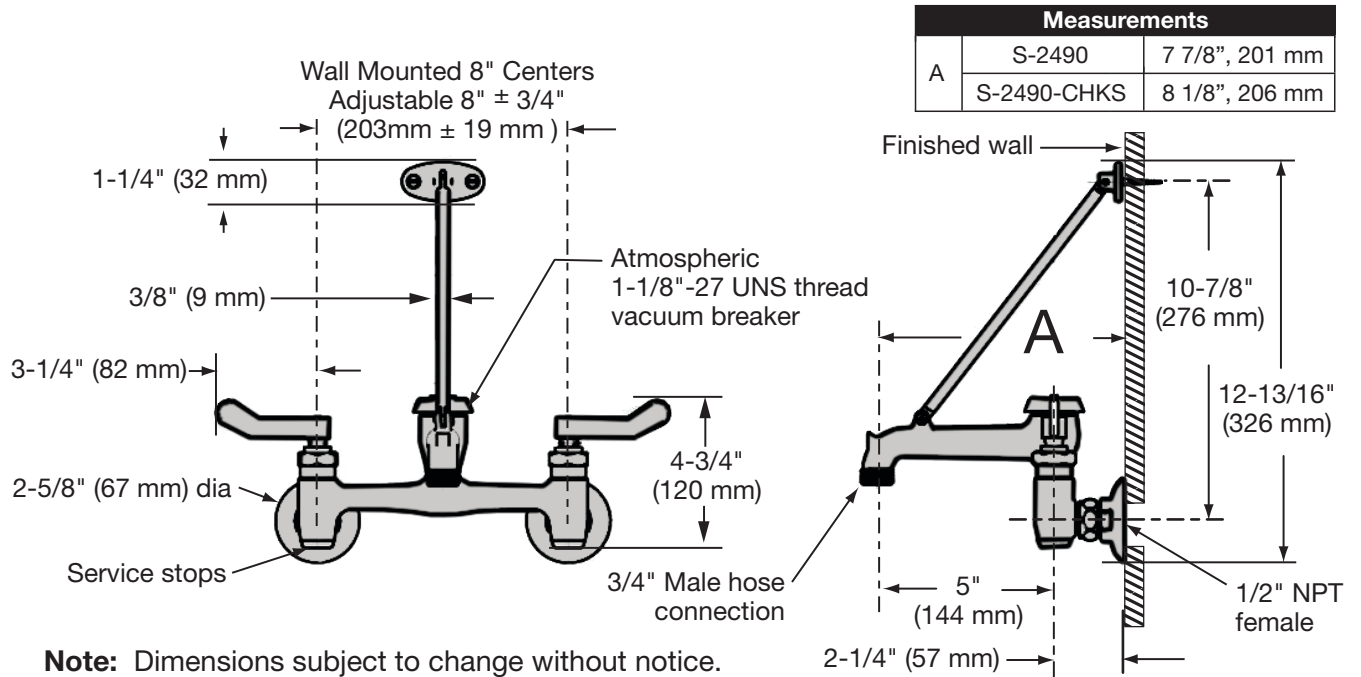
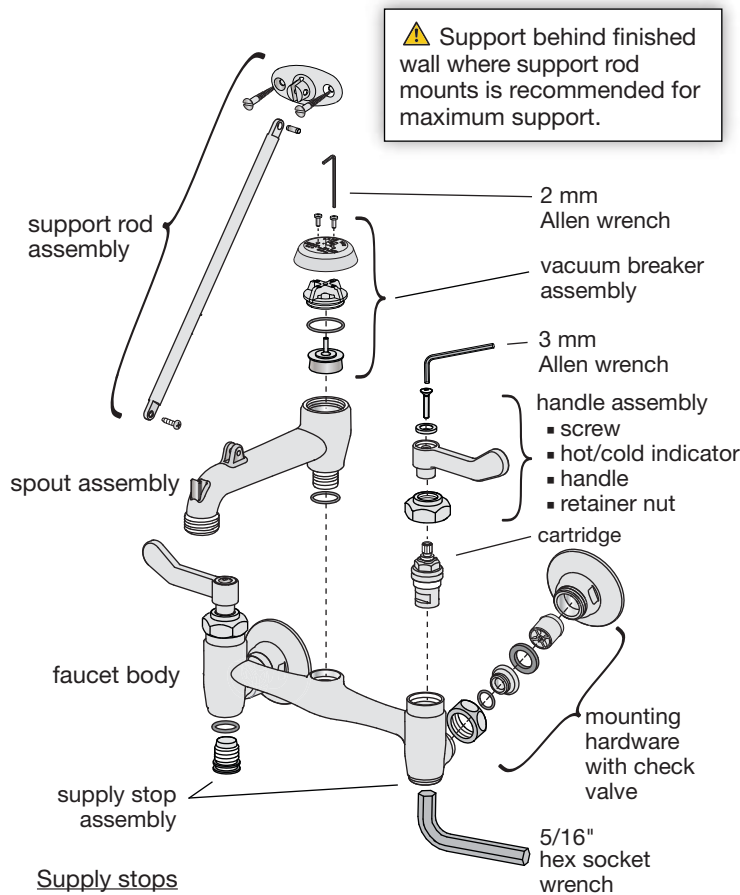


Dimensions Symmetrix Service Sink Faucet S-2490, S-2490-CHKS



Measurements		
A	S-2490	7 7/8", 201 mm
	S-2490-CHKS	8 1/8", 206 mm

Parts Assembly Symmetrix Service Sink Faucet S-2490, S-2490-CHKS



Supply stops

OFF - Turn (CCW) counter clockwise

ON - Turn (CW) clockwise a maximum of three complete turns

Symmons Part Number	Replacement Parts
RL-050	Mounting hardware kit
RL-147 (-CHKS only)	Mounting hardware kit with check valves
RL-051	Handle assembly kit (2 handles included)
RL-052	Cartridge, HOT
RL-053	Cartridge, COLD
RL-054	Supply stop assembly kit (Includes both hot and cold supply stop assemblies)
RL-055	Vacuum breaker assembly kit
RL-056	Support rod assembly kit

Ordering replacement parts:

Call Symmons customer service at (800) 796-6667,

(781) 848-2250 M-F 7:30 am - 7:00 pm EST

Check our website at www.symmons.com for

a list of Symmons distributors.