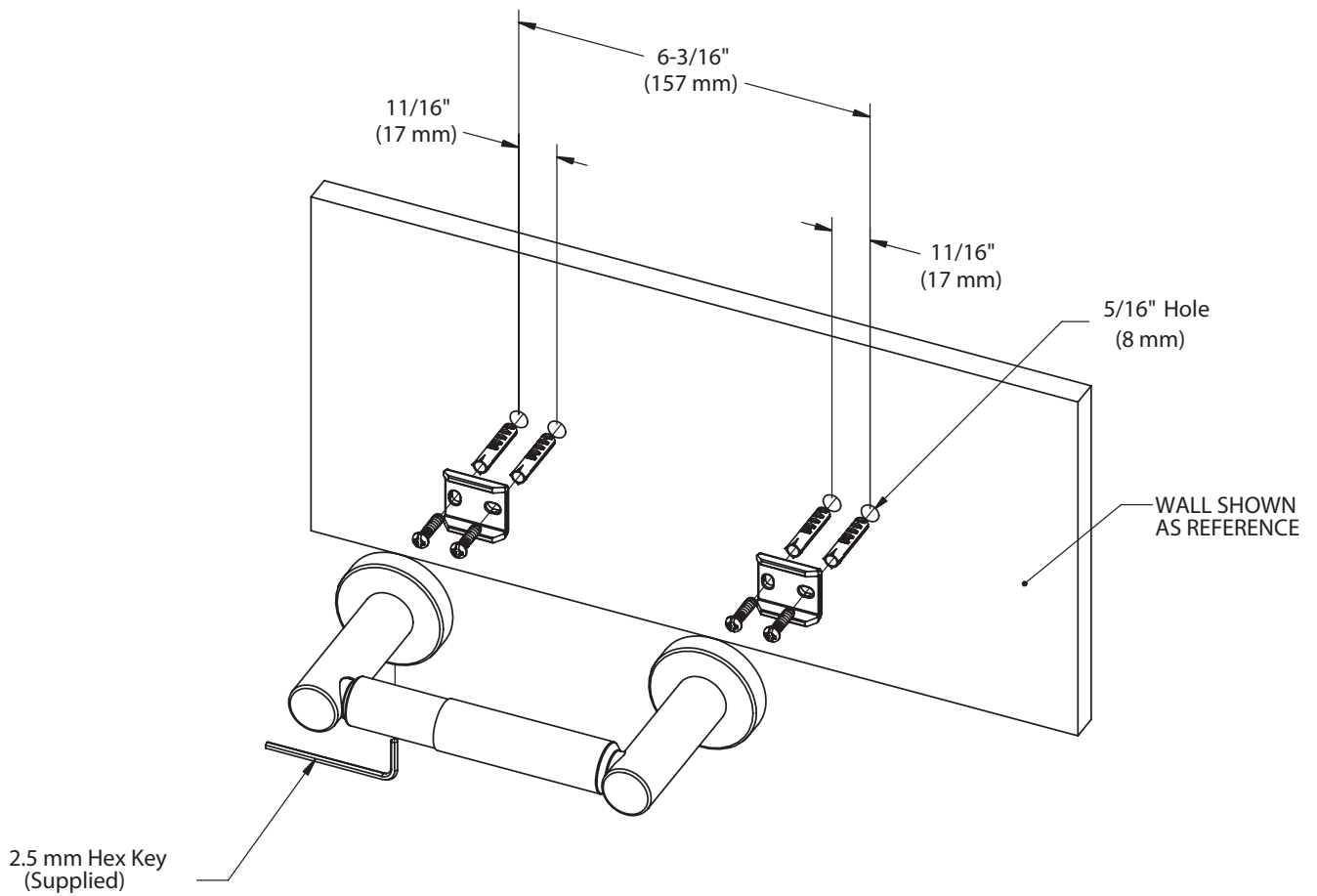


# Parts Assembly



## Tools Required

2.5mm Hex key



Phillips-Head Screwdriver

