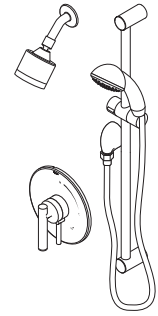




Location:




S3508BTRM, S3508BTRMTC  
Shower/Hand Shower Trim  
Specification Submittal

**Feature Highlights**

- Dia Shower/Hand Shower Trim
- Requires Temptrol® Pressure Balancing Tub/Shower Valve
- Integral diverter control
- Metal lever handle
- 30" slide bar for hand shower wand
- Dual checks for backflow protection
- 60" flexible metal hose
- 1 mode hand shower wand
- 1 mode showerhead
- 2.5 gpm (9.5 L/min) flow restrictors
- Tub spout not included
- Components shall be metal and nonmetallic construction, plated in standard Polished Chrome finish
- Available with TA-10 flow control spindle and T-12A cap assembly for Temptrol valve bodies installed with Test Cap (order p/n S3508BTRMTC)

**Options/Modifications**

- 1.5**  1.5 gpm (5.7 L/min) flow restrictor
- 2.0** 2.0 gpm (7.6 L/min) flow restrictor
- Delete Suffix B** Chrome plastic escutcheon on valve with color graphic/indicators in place of standard brass escutcheon
- L1** Less showerhead
- L2** Less hand shower wand
- L3** Less showerhead & hand shower wand
- L4** Less head, arm and flange
- L5** Less hand shower system (less bar/ cradle, hose, wand and elbow).
- L7** Less handle
- BBZ** Brushed Bronze finish
- MB** Matte Black finish
- STN** Satin Nickel finish

**Model Numbers**

- S3508BTRM**  
Shower/Hand Shower Trim with integral diverter control, Temptrol Pressure Balancing Tub/Shower Valve ordered separately
- S3508BTRMTC**  
Shower/Hand Shower Trim with integral diverter control, TA-10 flow control spindle and T-12A cap assembly, must order Temptrol valve with Test Cap

**Note:** Append appropriate -suffix to model number.

**Compliance**

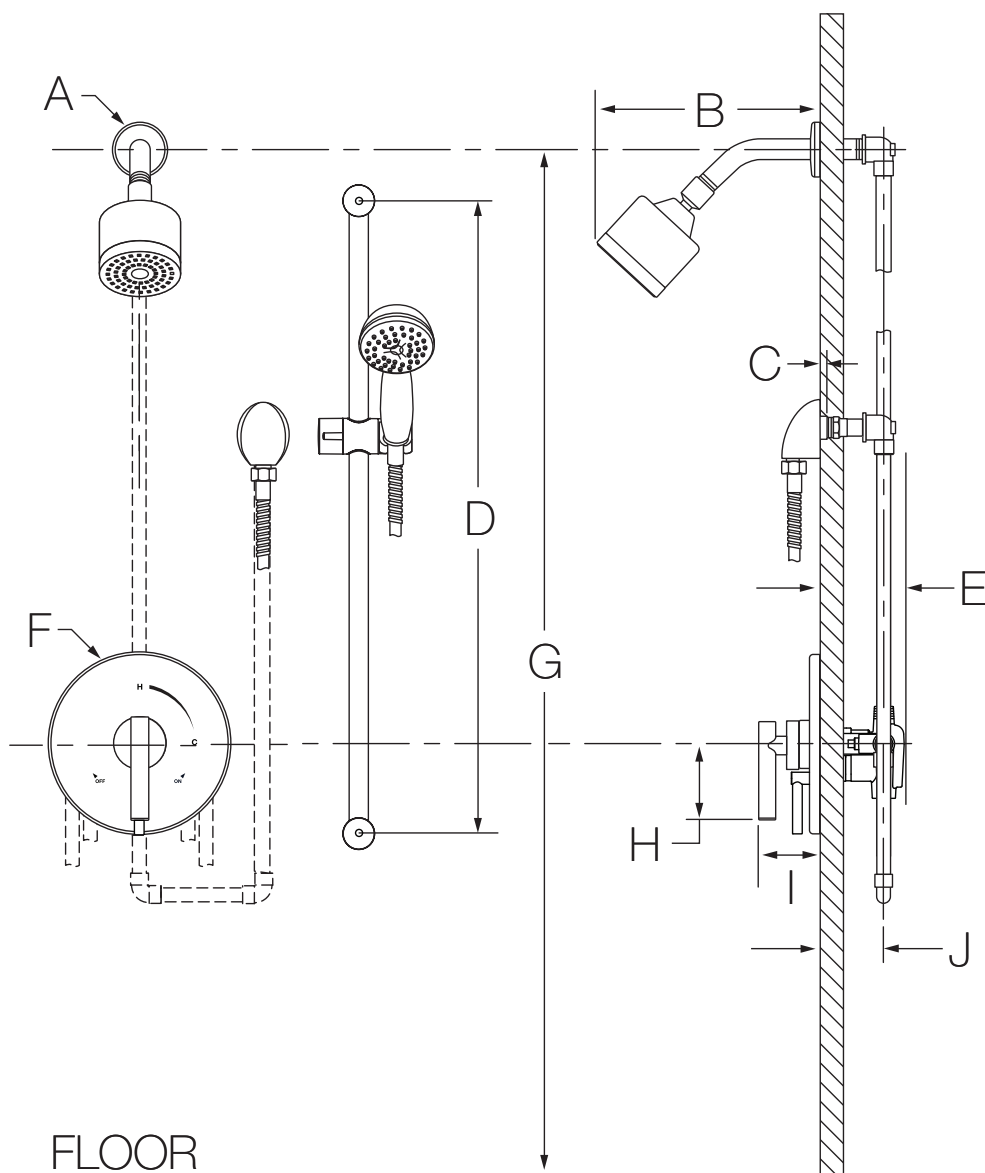
- ASME A112.18.1/CSA B125.1
- WaterSense 1.5 gpm (5.7 L/min)  
2.0 gpm (7.6 L/min)



**Warranty**

**Limited Lifetime** - to the original end purchaser in consumer/residential installations.  
**5 Years** - for industrial/commercial installations.  
 Refer to [www.symmons.com/warranty](http://www.symmons.com/warranty) for complete warranty information.  
 Go to [www.symmons.com/register](http://www.symmons.com/register) to register your Symmons product.

## Dimensions



Measurements	
A	Ø 2-1/2", 64 mm
B	6-3/4", 171 mm
C	Male 1/2" IPS fitting must be recessed 1/4" (6 mm) from finished wall
D	28-9/16", 725 mm
E	3-1/2", 89 mm
F	Ø 7-1/2", 191 mm
G	Ref. 77", 1956 mm
H	3", 76 mm
I	2-7/8", 73 mm
J	Rough-in 2-3/8" ± 1/2", 60 mm ± 13 mm

### Notes:

- 1) Valve body and piping not included and shown as reference only.
- 2) Plaster shield (p/n T-176) for dry wall, plaster or other type walls 1/2" or greater.
- 3) All dimensions measured from nominal rough-in (see J as reference).
- 4) Dimensions subject to change without notice.