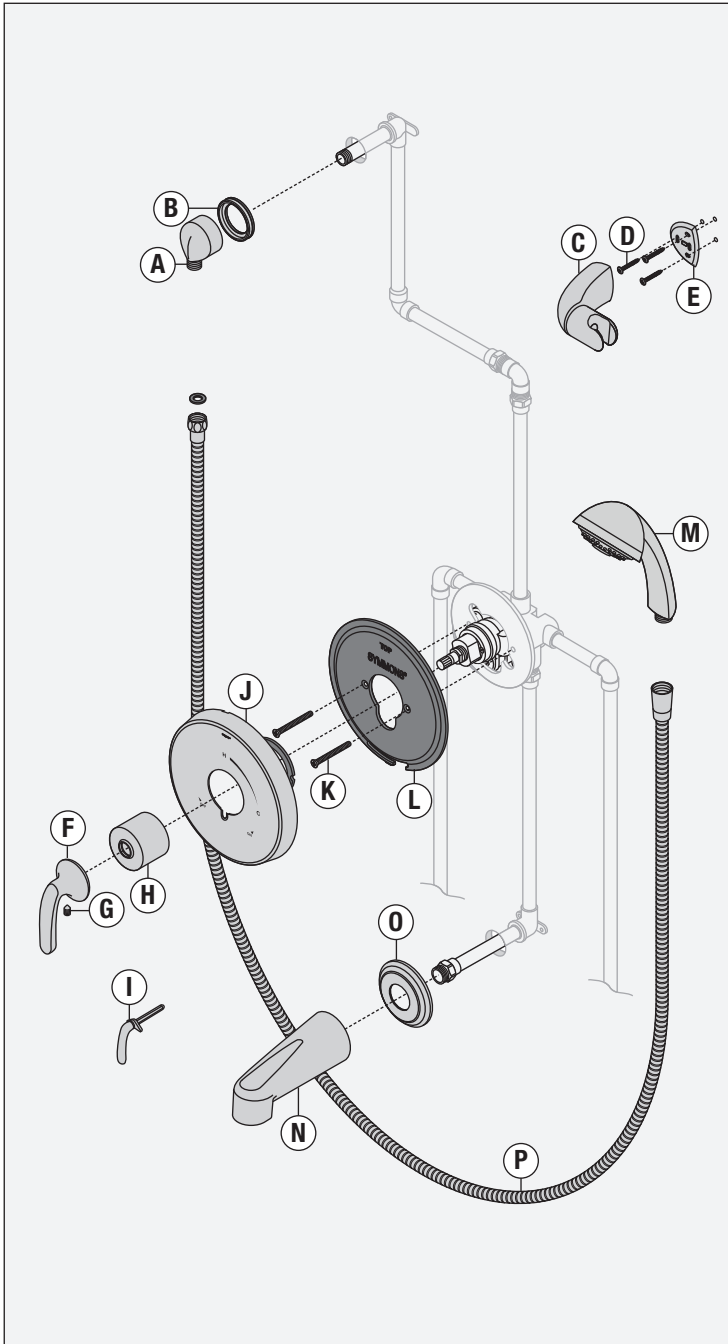


S-5504-TRM

Elm™ Tub/Hand Shower Trim

Operation & Maintenance Manual

Parts Breakdown



Replacement Parts

Item	Description	Part Number
A	Wall Elbow	552HS
B	Elbow Escutcheon	
C	Wall Cradle	
D	Cradle Mounting Screws	
E	Cradle Mounting Plate	
M	Wand	
P	Hose	
F	Shower Handle	RTS-006
G	Set Screw	
H	Dome Cover	T-631A-NS-K002
J	Escutcheon	
K	Mounting Screws	
L	Mounting Plate	
H	Dome Cover	T-19
I	Diverter Handle	RTS-008
N	Tub Spout	552TS
O	Tub Spout Escutcheon	

Notes:

- 1) Append -STN to part number for satin nickel finish; -SBZ for seasoned bronze finish.
- 2) Append -1.5 or -2.0 to hand shower for low flow.

Required for Installation

Adjustable wrench	
Phillips head screwdriver	
Allen wrench (3/16")	
Teflon Tape	
Power Drill	