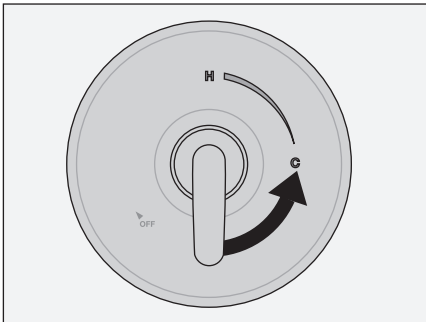


**S-5504-TRM**  
**Elm™ Tub/Hand Shower Trim**  
**Operation & Maintenance Manual**

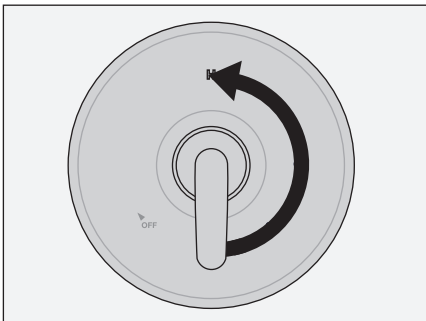
**Operation**

**Temperature Control**

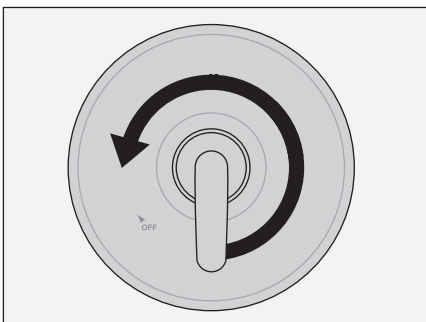
- 1) Turn shower handle counterclockwise approximately 1/4 turn to put valve in cold position.



- 2) Turn shower handle counterclockwise approximately 1/2 turn to put valve in warm position.

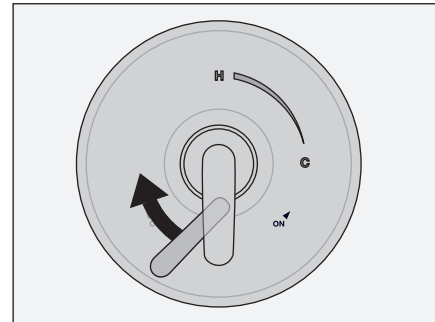


- 3) Turn shower handle counterclockwise approximately 3/4 turn to put valve in hot position.

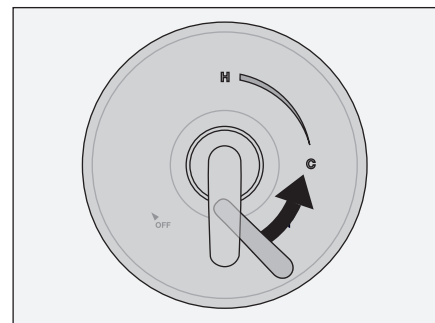


**Diverter Control**

- 1) Turn diverter lever left for tub spout operation.



- 2) Turn diverter lever right for hand shower operation.





**S-5504-TRM**  
**Elm™ Tub/Hand Shower Trim**  
**Operation & Maintenance Manual**

---

**Care and Cleaning**

---

1) Clean finished trim area with a soft cloth using mild soap and water or a non-abrasive cleaner and then quickly rinse with water.

---

**Troubleshooting Chart**

---

<b>Problem</b>	<b>Cause</b>	<b>Solution</b>
Finish is spotting.	Elements in water supply may cause water staining on finish.	Clean finished trim area with a soft cloth using mild soap and water or a non-abrasive cleaner and then quickly rinse with water.