



# Specifications

## COMMERCIAL

### DESCRIPTION

- Metal and brass construction with Chrome plated finish, also in Classic Brushed Nickel (CBN) finish
- Pressure balancing cycle valve design
- 3 function transfer valve
- Contains: hand-held shower with non-positive shut off button, 69" metal hose, 30" slide bar, and drop ell
- **Slide bar is NOT DESIGNED TO BE A GRAB BAR**
- Applicable components are supplied with vandal resistant screws

### OPERATION

- Temperature and transfer valves both have ADA compliant lever style handles
- Temperature handle operates counterclockwise through a 270° arc with off at 6 o'clock, and the maximum hot at the 9 o'clock position
- Adjustable temperature limit stop
- Pressure balancing mechanism maintains selected discharge temperature to ± 3.6°
- Transfer valve operates 3 distinct functions
- Easy to operate non-positive shut off button (reduces the flow of water to a trickle)

### FLOW

- 2.5 gpm (9.5 L/min) hand-held shower
- Pair with a Vandal-Resistant Showerhead:
  - 5263 (2.5 gpm/9.5 L/min) - Chrome finish
  - 5263CBN (2.5 gpm/9.5 L/min) - Classic Brushed Nickel finish
  - 5263EP17 (1.75 gpm/6.6 L/min) - Chrome finish; **WaterSense® certified**
  - 5263EP17CBN (1.75 gpm/6.6 L/min) - Classic Brushed Nickel finish; **WaterSense® certified**
  - 5263EP15 (1.5 gpm/5.7 L/min) - Chrome finish; **WaterSense® certified**
  - 5263EP15CBN (1.5 gpm/5.7 L/min) - Classic Brushed Nickel finish; **WaterSense® certified**

### CARTRIDGE

- Pair with a brass Posi-Temp rough-in valve:
  - 8370HD\*: 1/2" CC connection without integral stops
  - 8371HD\*: 1/2" CC connection with integral stops
  - 8372HD\*: 1/2" IPS connection with integral stops
  - 8373HD\*: 1/2" PEX connection with integral stops
  - 8374HD\*: 1/2" CPVC connection with integral stops
  - 8375HD\*: 1/2" UPONOR connection with integral stops
- \*Includes the 1222HD Brass Posi-Temp Cartridge
- Nonmetallic/nonferrous and stainless steel materials
- Also requires the 3360 3 function transfer rough-in valve
- Accommodates back to back installations

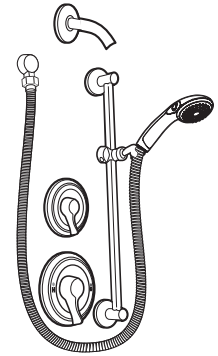
### STANDARDS

- Third party certified to: WaterSense® (only applies to 1.75 and 1.5 gpm), ASME A112.18.1/CSA B-125.1 and all applicable requirements referenced therein including NSF61/9
- Backflow prevention compliance through ASME A112.18.3

- **ADA** for lever handles

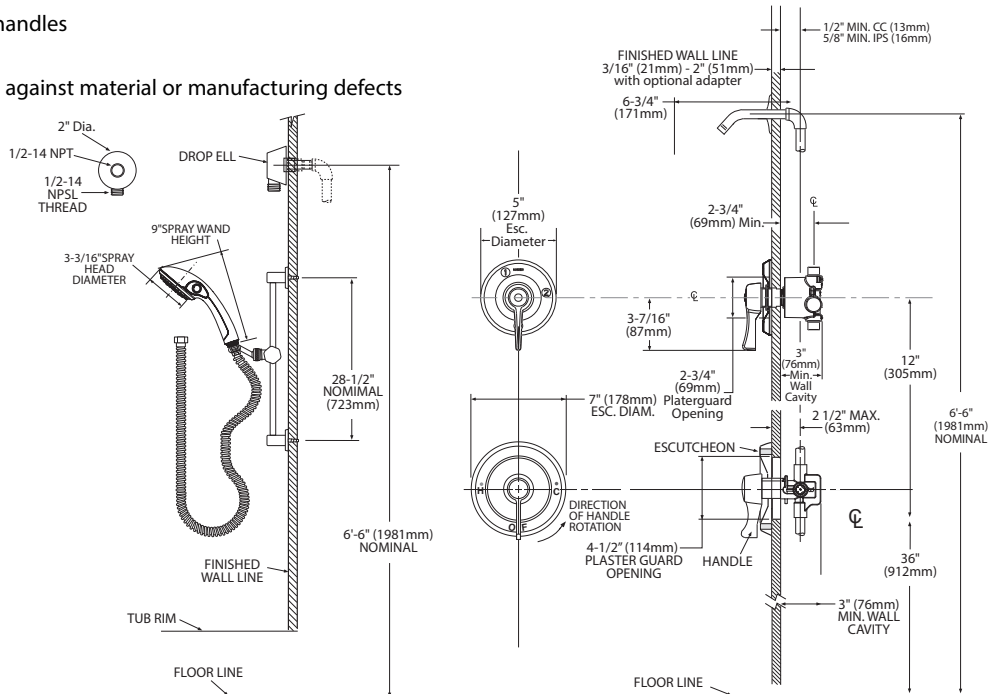
### WARRANTY

- Warranted for 5 years against material or manufacturing defects



**Single-Handle Posi-Temp®  
Shower System Trim Only  
Less Showerhead  
(With 3 Function Transfer Valve)**

**Model: T8342NH  
T8342NHCBN**



**NOTE:** This valve is not intended to be used as a shut-off valve. To prevent the potential of cross flow, check valves must be integral to the supply valve or installed in both hot and cold water supply lines.  
\*Refer to (ADAAG) guidelines or local codes for proper ADA installation.

## CRITICAL DIMENSIONS

(DO NOT SCALE)