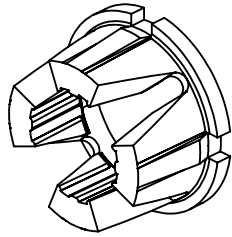


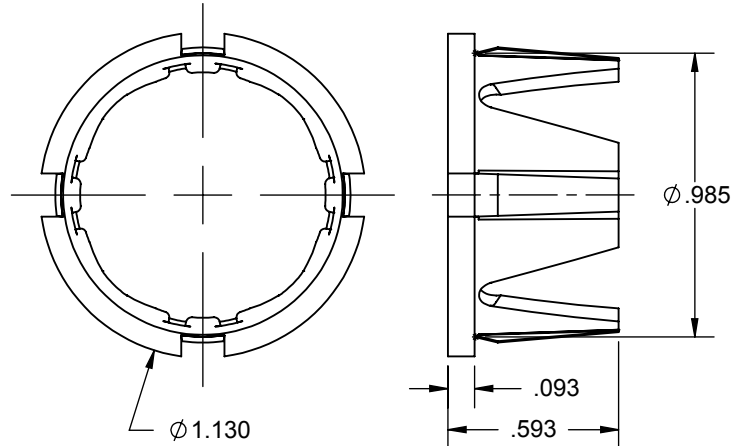
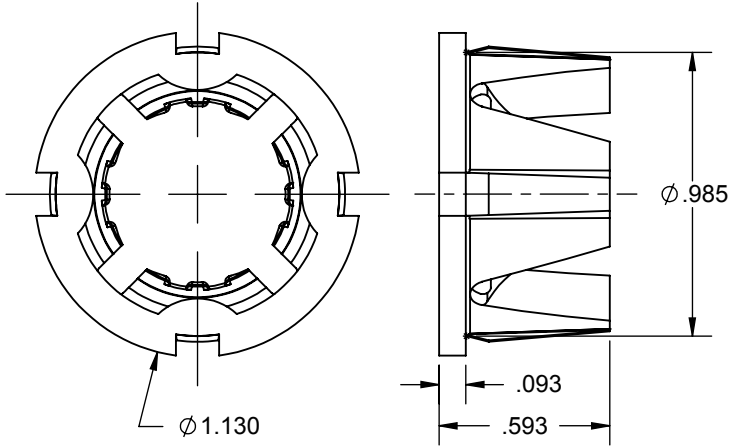
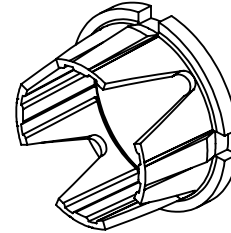
PRODUCT SPECIFICATION DRAWING

LOCKRITE™ #604 & #605 Inserts

#604 (1/2")



#605 (3/4")



The LOCKRITE™ #604 and #605 inserts are designed to work with our #601 and #609-N-6 brackets for securing CPVC tubing. Treat inserts as you would fittings by generously applying glue to both the pipe and insert to secure stub-out in place.

Product Information:

- Material: PVC, white
- Temperature range: -10°F to +150°F
- Load rating: 25 pounds
- UPC / IPC / IAPMO listed



THIS INFORMATION IS PROPRIETARY TO HOLDRITE AND IS SUBJECT TO CHANGE WITHOUT NOTICE. IT MAY NOT BE REPRODUCED IN PART OR WHOLE WITHOUT WRITTEN AUTHORIZATION.

HOLDRITE®

CONVERTING MAKESHIFT METHODS INTO ENGINEERED SOLUTIONSSM

800-321-0316 OR 760-744-6944 / FAX: 760-744-0507 / WWW.HOLDRITE.COM
spec_604_605_RevE

Product Submittal	
Job Name:	
Date:	
Part Number:	Qty:
Architect / Owner:	
Contractor:	
Notes:	