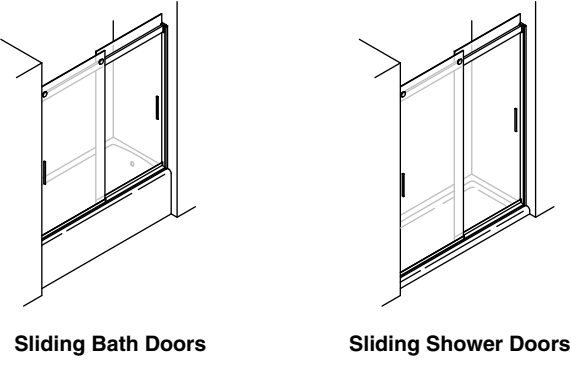


1201264-2-E



Sliding Bath Doors Sliding Shower Doors

USA/Canada: 1-800-4KOHLER  
Mexico: 001-800-456-4537 kohler.com

**WARNING: Risk of serious injury.** Damage prior to installation can result in glass shattering. Inspect the glass and all parts for damage before installation.

**WARNING: Risk of serious injury.** Improper installation can result in glass shattering. Follow all installation instructions.

**WARNING: Risk of serious injury.** Do not cut tempered glass. Tempered glass will shatter if cut.

**WARNING: Risk of serious injury.** Shower door and side panels can shatter. Regularly inspect the glass and all parts for damage, missing, or loose parts.

**WARNING: Risk of serious injury.** Always wear safety glasses while moving, installing, cutting, or drilling the glass panels.

**IMPORTANT!** Do not touch the edges of the tempered glass with tools or any other hard objects. Do not set the unframed tempered glass directly on the floor or any hard surface.

**IMPORTANT!** Leave this manual for the end user.

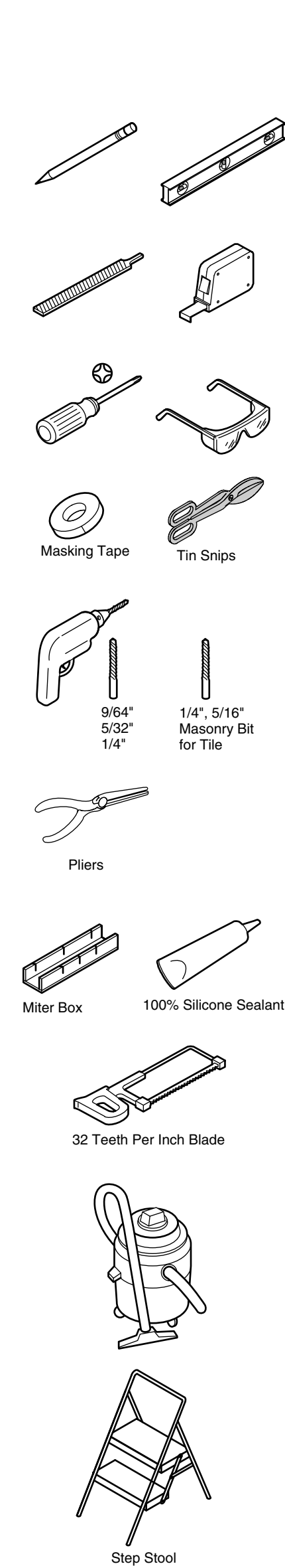
**NOTICE:** The warranty does not apply to product that has been modified or altered in a manner other than as expressly permitted in the Installation and Care Guide.

Read and follow all instructions before installing or using this product.

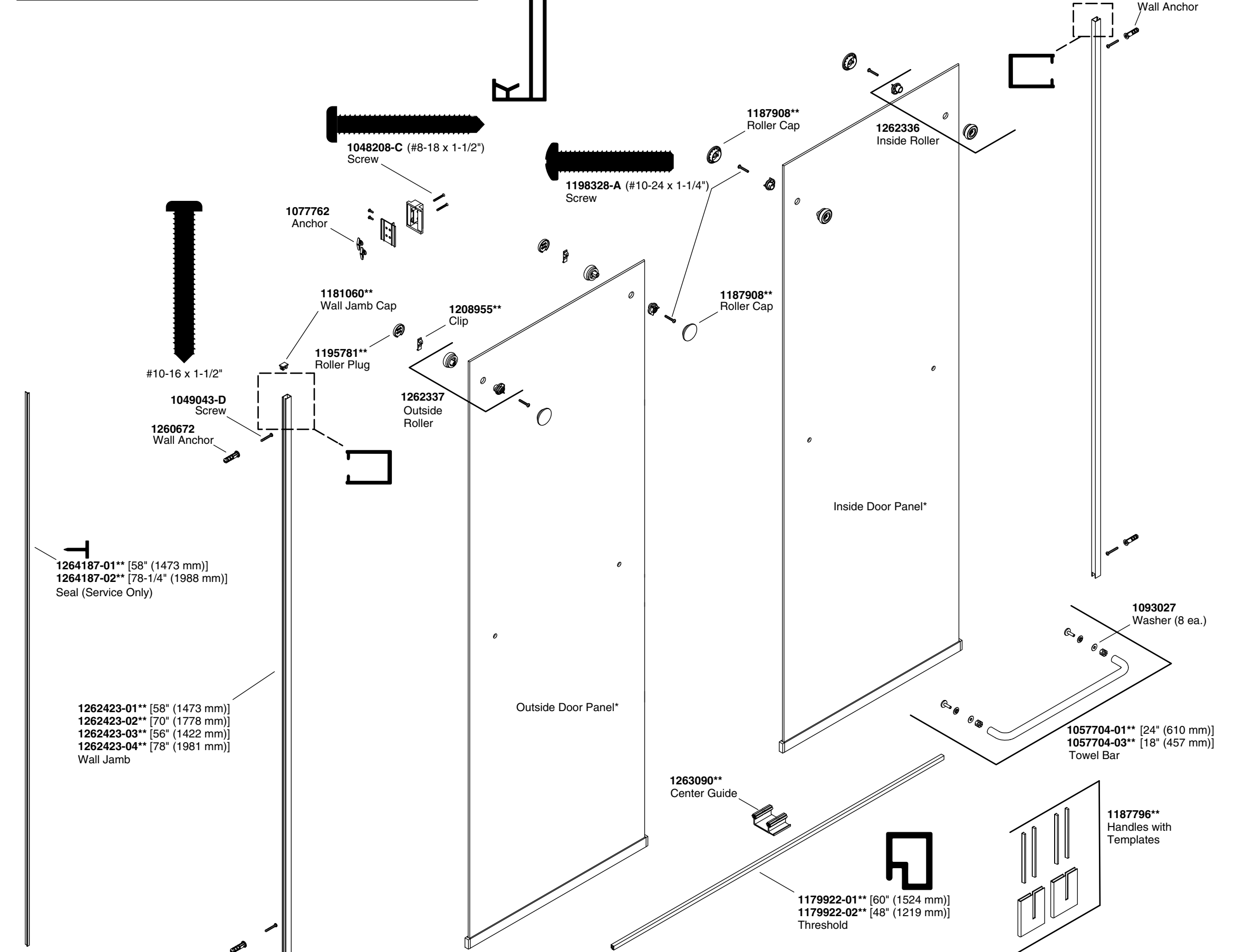
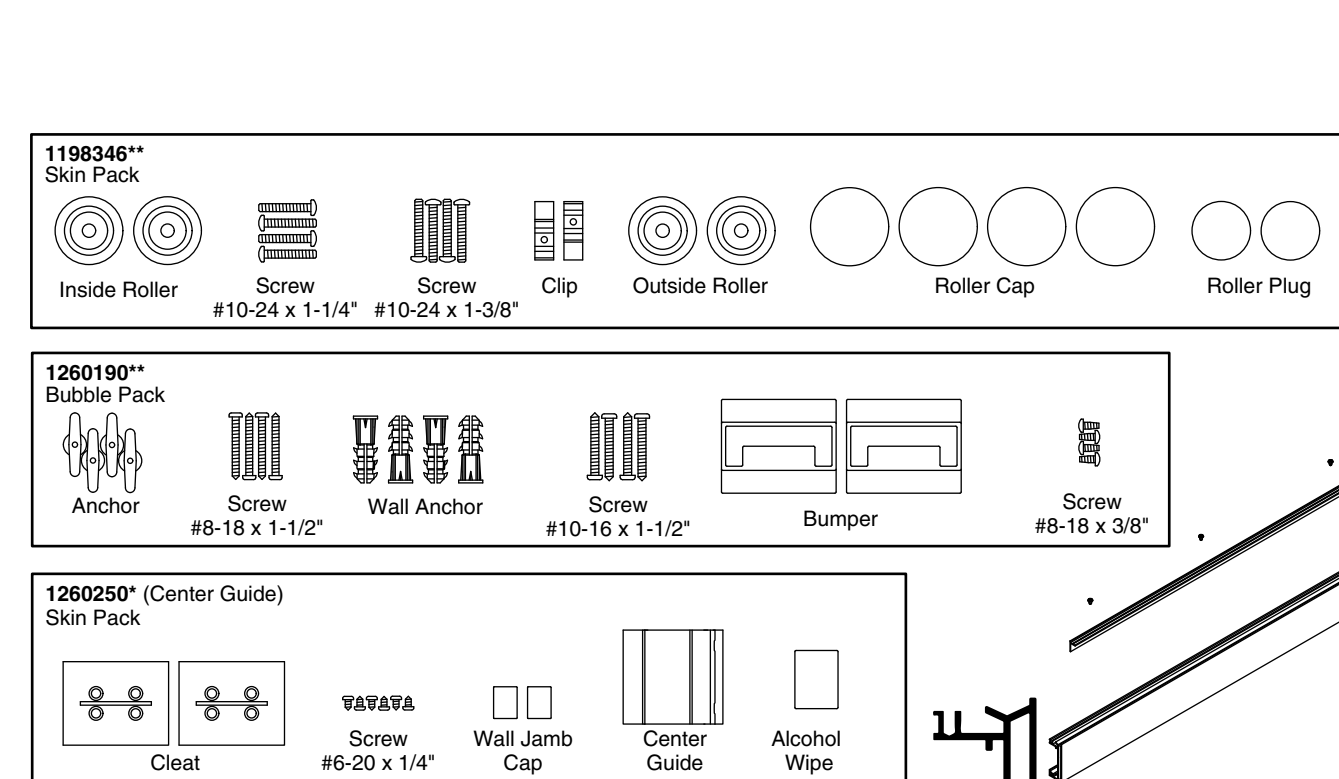
Walls must be within 3/8" (10 mm) of plumb.

Follow the silicone sealant manufacturer's instructions for application and curing time.

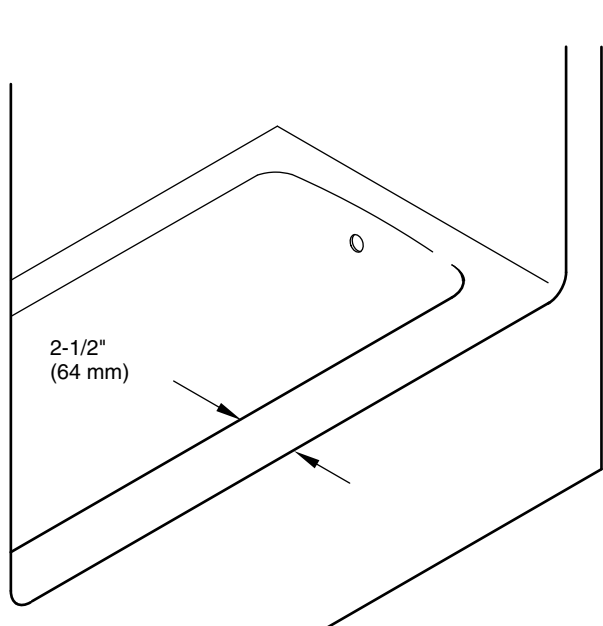
**Required Tools**



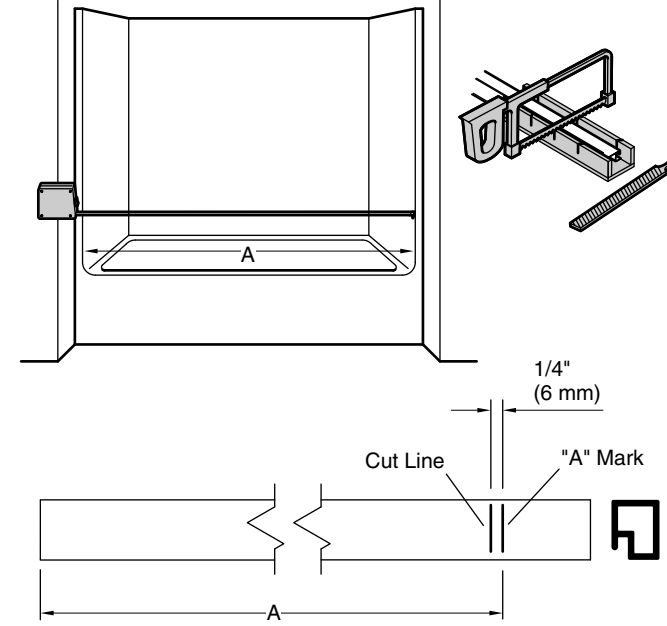
**Parts Identification**



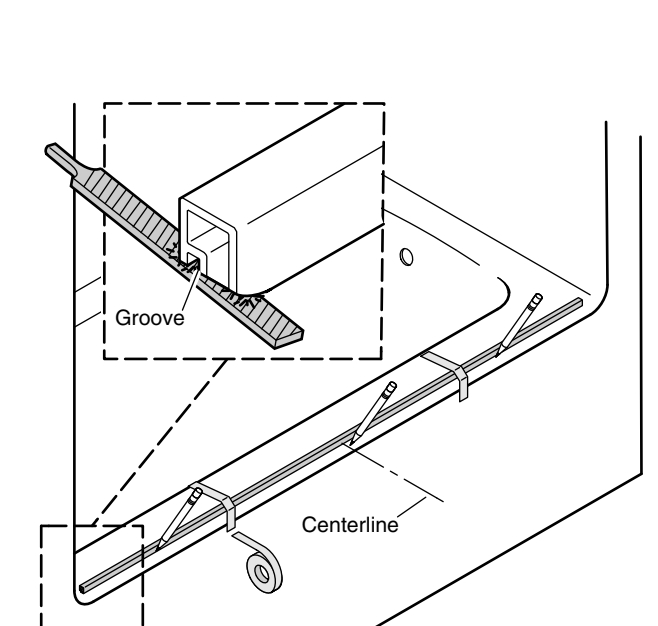
**1 Measure the Ledge:**  
Confirm the ledge is at least 2-1/2" (64 mm) wide. Do not install the door if there is not 2-1/2" (64 mm) of width.  
Cover the drain with tape to avoid loss of small parts.



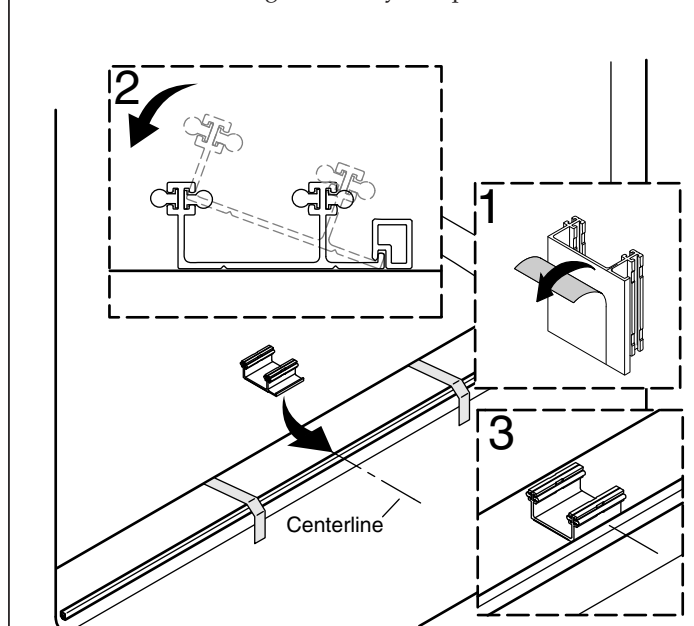
**2 Measure and Cut the Threshold:**  
Measure distance "A."  
Mark distance "A" on the threshold.  
Subtract 1/4" (6 mm) from "A" and make a second mark.  
Cut the threshold at the second mark.



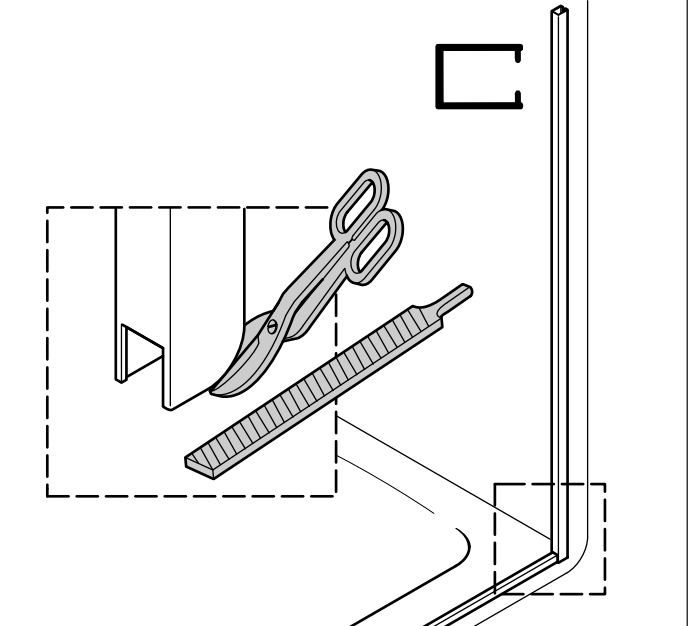
**3 Position the Threshold:**  
If needed, file the ends of the threshold to match the corner radius. The threshold must sit flat.  
Install the threshold as close to the front of the ledge as possible. Mark the location.  
Tape the threshold in place.  
Mark the exact center of the shower ledge.



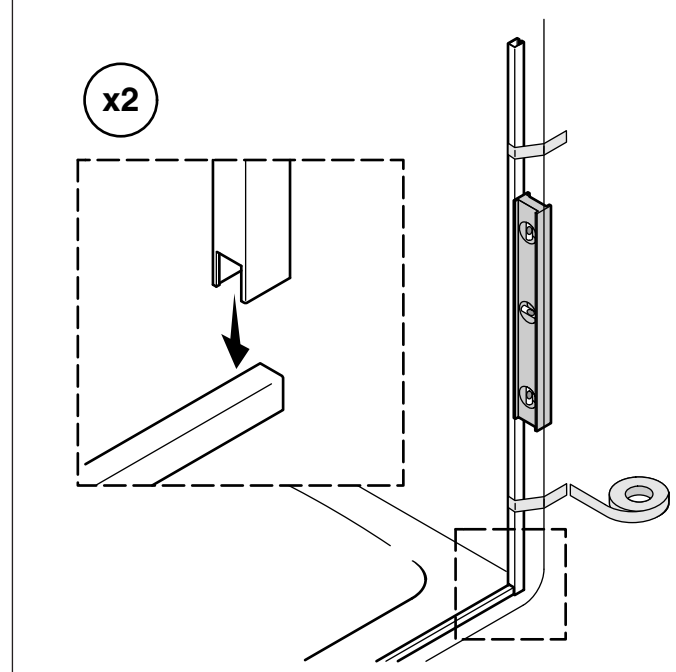
**4 Install the Center Guide:**  
Clean the center guide location behind the threshold with an alcohol wipe.  
Remove the backing (1) from the adhesive strips on the center guide.  
Align and rotate the center guide into place (2) with the center marks on the guide and threshold aligned.  
Press the center guide firmly into place (3).



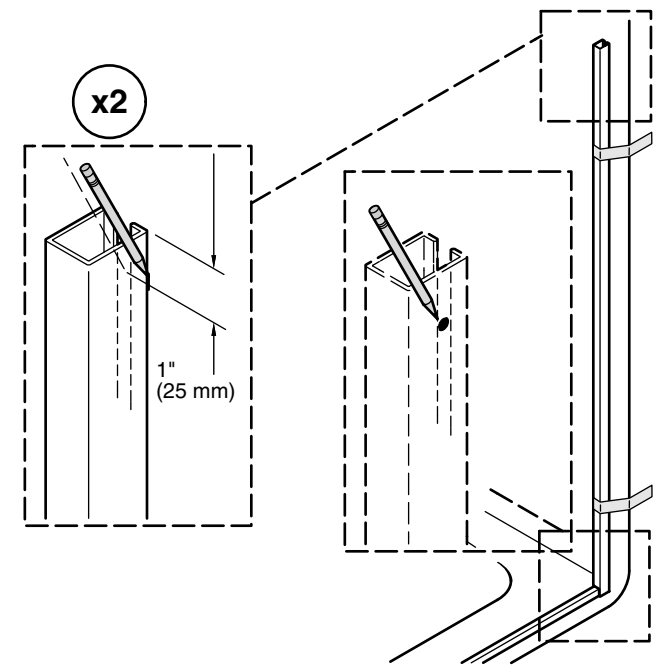
**5 Prepare the Wall Jamb:**  
**IMPORTANT!** The threshold and wall jamb must fit tightly against the ledge and wall.  
Position the wall jamb over the threshold.  
If needed, trim and file the ends to match radius corners.



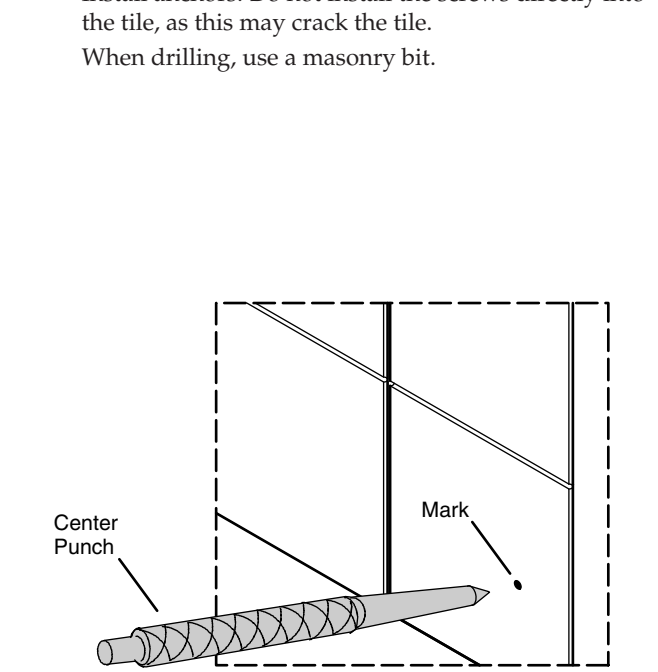
**6 Install the Wall Jamb:**  
Position the wall jamb over the threshold.  
Plumb using a level.  
Tape the wall jamb in place.



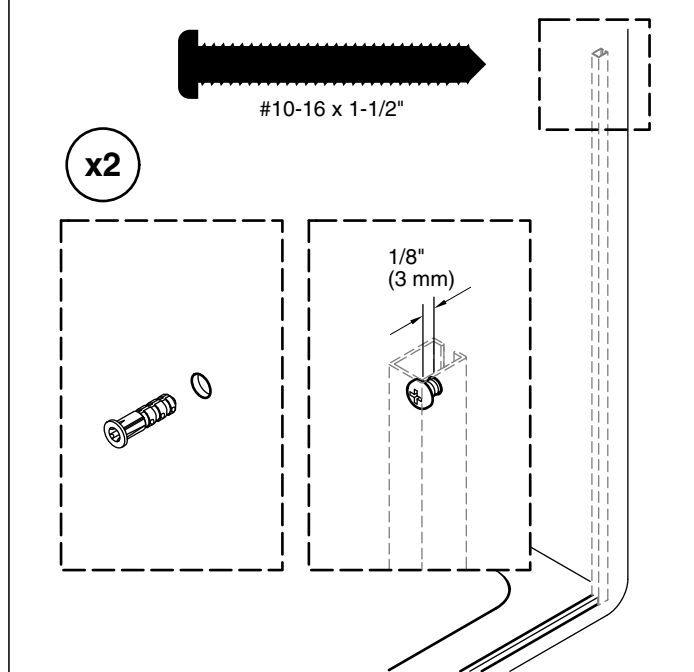
**7 Locate the Wall Jamb Anchors:**  
On each side of the wall jamb, measure 1" (25 mm) down and mark the side of the wall jamb.  
Remove the wall jamb. Mark the center point between the marks.



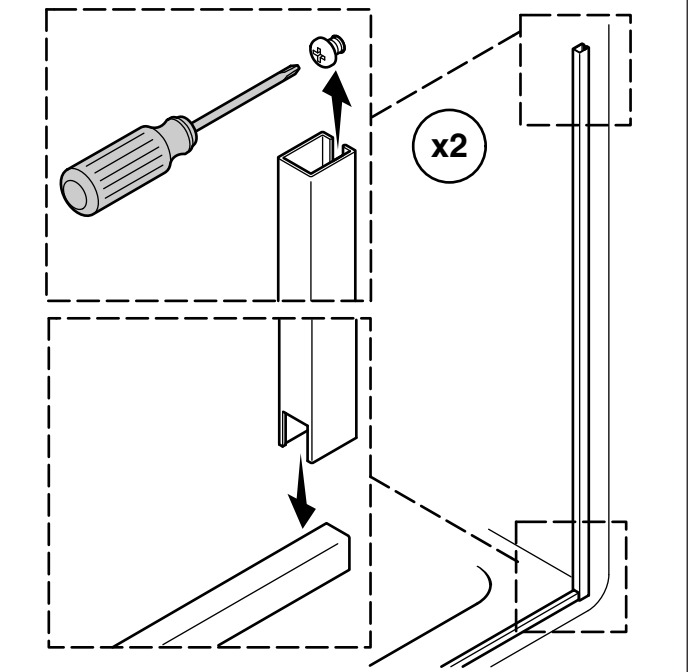
**8 Tile Installations Only:**  
Mark the tile at the hole location before drilling by carefully tapping the mark with a center punch. This keeps the drill bit from moving as the hole is started.  
When installing to a tile wall, first drill a small diameter hole, then the correct size hole.  
Install anchors. Do not install the screws directly into the tile, as this may crack the tile.  
When drilling, use a masonry bit.



**9 Install the Top Wall Jamb Anchors:**  
Drill a 1/4" hole at each mark.  
Install the provided wall anchors.  
Install the two #10-16 x 1-1/2" screws, one for each wall jamb, leaving a 1/8" (3 mm) gap between the screwhead and the wall.



**10 Install the Wall Jamb:**  
Slide each wall jamb onto the top screw, then down over the threshold.  
**IMPORTANT!** The jamb must be tight against the wall. Adjust the screws as needed.



**11 Locate the Cleats:**  
**IMPORTANT!** Each cleat must contact the side of the wall jamb and be level with the top.  
 Position a cleat in contact with the wall jamb, top of the cleat level with the top of the wall jamb.  
 Mark two holes diagonally.  
**IMPORTANT!** Do not use holes across from each other.

**12 Install the Anchors:**  
 Drill 5/16" holes at the two diagonal cleat marks.  
 Insert the anchors.

x2

**13 Install the Cleats:**  
**IMPORTANT!** Each cleat must be level with the top of the wall jamb and in contact with the wall jamb.  
 Align the cleat with the wall jamb and secure with two #8-18 x 1-1/2" screws.  
**NOTE:** The second set of holes can be used if the first set is not correctly aligned. Repeat step 11 if needed.

x2

#8-18 x 1-1/2"

**14 Measure the Header and Retainer Length:**  
 Measure distance "B" between the screwheads.  
 Subtract 1/16" (2 mm) from "B" for the final dimension.

**15 Cut the Retainer and Header:**  
**IMPORTANT!** Confirm your measurements before cutting. Do not cut too short.  
 Measure and mark dimension "B - 1/16" (2 mm) on the header.  
 Cut the header at the mark.  
 Measure and mark dimension "B - 1/16" (2 mm) on the retainer.  
 Cut the retainer at the mark.  
 File any rough edges.

**16 Install the Header:**  
 Rotate the header, flat side out, into place on the cleats.  
 Secure to each cleat with two #8-18 x 3/8" self-drilling screws from inside the shower.  
 Carefully and thoroughly clean the top track, making sure there is no debris on the roller groove.

x2

#8-18 x 3/8"

**17 Assemble the Inside Panel:**  
**IMPORTANT!** The inside panel measures 5" (140 mm) from hole to top of the glass.  
 Assemble and install the inside rollers, tab on top, and #10-24 x 1-1/4" screws in the upper holes.  
**Securely** tighten the screw.  
**NOTE:** The inside panel is positioned with the rollers toward the entry (outside) of the shower module.

x2

#10-24 x 1-1/4"

Label on this Side of Glass

5" (127 mm)

Cam

Screw

Spacer

Gasket

Roller

Axle

Orient tab on top.

**18 Install the Inside Panel:**  
 With help, from inside the shower lift the inside panel over the guide and into the lower track on the header.  
 Confirm the channel on the bottom of the door panel is engaged with the inside leg on the center guide.

**19 Assemble the Outside Panel:**  
 Install an outside roller, clip, and #10-24 x 1-1/4" screw in each upper hole.  
 Hold the anti-jump clip with a pliers, hook down in the 6 o'clock position, as the screw is tightened.  
**Securely** tighten the screw.

x2

#10-24 x 1-1/4"

Clip

Axle

Roller

Spacer

Gasket

Orient tab on top.

Orient clip down.

Label on this Side of Glass

3-1/8" (79 mm)

Gasket

Cam

Outside Panel

**20 Install the Outside Panel:**  
 With help, lift the outside panel onto the outside leg of the guide, then onto the upper track.  
 If immediate adjustment of either door panel is needed, see Step 28.

**21 Install the Retainer:**  
**IMPORTANT!** Position the screws at the dimensions shown.  
 On the top of the retainer, mark the centerline.  
 On the top of the retainer, mark the hole locations in the channel at the locations shown.  
 Drill six 5/32" holes in the retainer at the marks.  
 Remove all burrs.

**22 Install the Retainer:**  
 Slide the retainer between the panels.  
 Secure the retainer to the header with six screws.

Side View

#6-20 x 1/4"

Screws

**23 Confirm Correct Retainer and Roller Installation:**  
 Confirm the retainer is in the correct position, secured with six screws.  
 Confirm the top portion of the rollers on the inside panel are behind the retainer.  
 Confirm the anti-jump clips on the outside panel are oriented downward.

**24 Install the Bumpers:**  
 Apply 100% silicone sealant to both sides of the cleat.  
 Position a bumper over the top track, engaged in the rail. Close the bumper.  
 Slide the bumper along the track and press tight to the cleat.  
 Repeat with the second bumper (the second bumper installs with the opening opposite the first bumper).

x2

**25 Check Frame Alignment:**  
 Slide the door panels back and forth.  
 If the outside door panel contacts the wall jamb, remove the tape on the threshold. If there is no contact, go to the next step.  
 Adjust the wall jamb outward until contact is eliminated. Tape the threshold in place on this side.  
 Repeat with the opposite wall jamb.  
 Confirm the threshold is parallel with the front ledge.  
 Adjust if needed.

**26 Install the Bottom Wall Jamb Screws:**  
 On each side of the wall jamb (1), measure 4-1/2" (114 mm) up and mark each side of the wall jamb.  
 Slide the wall jamb up past the marks. Mark the center point between the marks.  
 Remove the wall jambs. Drill a 1/4" hole (2) at each center mark. Install the provided wall anchors.  
 Install the two #10-16 x 1-1/2" screws (3), leaving a 1/8" (6 mm) gap between the screwhead and the wall.

x2

#10-16 x 1-1/2"

1

4-1/2" (114 mm)

2

1/8" (3 mm)

3

**27 Operation Checklist:**  
 Confirm the bottom bumpers are installed on the door panels.  
 Slide the door panels back and forth.  
 Confirm the door panels do not rub on the floor.  
 Confirm the door panels are plumb with the wall jambs.  
 Confirm the top and bottom bumpers contact the door panels at the same time.  
 Go to the next step if adjustment is required.

**28 Final Adjustment:**  
 Adjust the panel height and orientation by loosening the screws and turning the adjustment cam.  
 Repeat until the door operates smoothly, then retighten the screws **securely**.  
 Confirm the anti-jump clip is still oriented correctly (see Step 23).

**29 Install the Roller Caps:**  
 Install the towel bar or handle using the separate instructions provided.  
 Snap a cap into place on each of the four rollers.  
 Install clip caps, flat side down, on the clip side of the inside rollers.

x4

x2

Slot

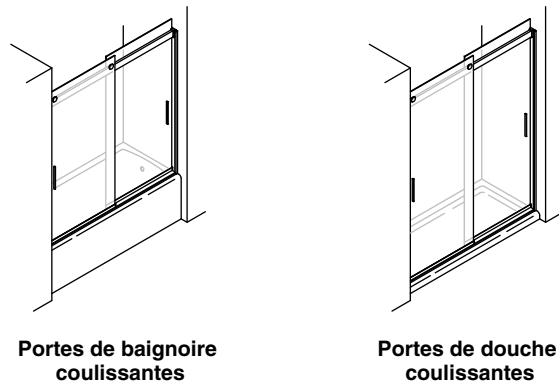
**30 Apply Silicone Sealant:**  
 Press the cap onto the wall jamb.  
 Apply 100% silicone sealant along the wall jambs inside and outside the shower, along the threshold outside the shower, and around the base of the center guide.

x2

Troubleshooting	
Symptom: Alignment	Recommended Action
1. The top of the door panel is tilted away from the wall or the bottom of the door panel is tilted away from the wall.	A. Remove the roller caps. Loosen the roller screw and rotate the roller cams. Tip: use the roller cap to rotate the cam. See steps 17, 19, and 28.
2. The door panel does not touch the bumper.	A. Determine whether the door panel top or bottom is closer to the wall, and then adjust the roller closest to the wall.
Symptom: Water Leaks	Recommended Action
1. Water leaks between panels.	A. When showering, make sure the inside panel is against the showerhead wall.
2. Water leaks between the wall jamb and the door panel.	A. Adjust the door panel to line up with the wall jamb. B. Order the optional seal kit.
3. Water leaks under the threshold.	A. Check for proper silicone sealant application. See step 30. Apply additional silicone sealant in the leak location.
4. Water leaks around the wall jamb area.	A. The notched wall jamb fits over the threshold to cover any miscut or skewed cuts. Seal as directed to ensure proper watertight seal. See step 30.
Symptom: Operation (open/close)	Recommended Action
1. The inside and/or outside panel is difficult to move.	A. Ensure a gap exists between the guide and the door panel. If no gap exists, raise the position of the rollers. B. Ensure the panel is properly engaged over the centerguide. See step 20. C. Ensure the rollers are properly installed. See steps 17 and 19. D. Ensure that the hanger bracket is tight to the glass.
2. Rubbing noise during panel movement.	A. Ensure the anti-jump clips are straight and not rubbing on the header. See step 23. B. Ensure the roller screws are the correct size. See steps 17 and 19. Ensure the roller screws are completely tightened. C. Ensure the retainer is securely tightened. See step 22.

**Warranty**  
 ONE-YEAR LIMITED WARRANTY  
 KOHLER plumbing products are warranted to be free of defects in material and workmanship for one year from date of installation.  
 Kohler Co. will, at its election, repair, replace or make appropriate adjustment where Kohler Co. inspection discloses any such defects occurring in normal usage within one (1) year after installation. Kohler Co. is not responsible for removal or installation costs. **Use of in-tank toilet cleaners will void the warranty.**  
 To obtain warranty service contact Kohler Co. either through your Dealer, Plumbing Contractor, Home Center or E-tailer, or by writing Kohler Co., Attn: Customer Care Center, 444 Highland Drive, Kohler, WI 53044, USA, or by calling 1-800-4-KOHLER (1-800-456-4537) from within the USA and Canada, and 001-800-456-4537 from within Mexico, or visit www.kohler.com within the USA, www.ca.kohler.com from within Canada, or www.mx.kohler.com in Mexico.  
**IMPLIED WARRANTIES INCLUDING THAT OF MERCHANTABILITY AND FITNESS FOR A PARTICULAR PURPOSE ARE EXPRESSLY LIMITED IN DURATION TO THE DURATION OF THIS WARRANTY. KOHLER CO. AND/OR SELLER DISCLAIM ANY LIABILITY FOR SPECIAL, INCIDENTAL OR CONSEQUENTIAL DAMAGES.** Some states/provinces do not allow limitations on how long an implied warranty lasts, or the exclusion or limitation of special, incidental or consequential damages, so these limitations and exclusions may not apply to you. This warranty gives you specific legal rights. You may also have other rights which vary from state/province to state/province.  
**This is Kohler Co.'s exclusive written warranty.**

1201264-2-E



Portes de baignoire coulissantes

Portes de douche coulissantes

USA/Canada: 1-800-4KOHLER  
Mexique: 001-800-456-4537  
kohler.com

**AVERTISSEMENT: Risque de blessures graves.** Des dommages avant l'installation peuvent entraîner des éclatements de verre. Inspecter le verre et toutes les pièces pour y rechercher des dommages avant l'installation.

**AVERTISSEMENT: Risque de blessures graves.** Une installation incorrecte peut entraîner des éclatements de verre. Suivre toutes les instructions d'installation.

**AVERTISSEMENT: Risque de blessures graves.** Ne pas couper le verre trempé. Le verre trempé éclate lorsqu'il est coupé.

**AVERTISSEMENT: Risque de blessures graves.** La porte de la douche et les panneaux latéraux peuvent éclater. Inspecter régulièrement le verre et toutes les pièces pour y rechercher des dommages, ou des pièces manquantes ou desserrées.

**AVERTISSEMENT: Risque de blessures graves.** Toujours porter des lunettes de sécurité pendant le déplacement, l'installation, le découpage, ou le perçage de panneaux de verre.

**IMPORTANT!** Ne pas toucher les bords du verre trempé avec des outils ou d'autres objets durs. Ne pas poser le verre trempé non encadré directement sur le plancher ou sur une surface dure.

**IMPORTANT!** Laisser ce manuel pour l'utilisateur final.

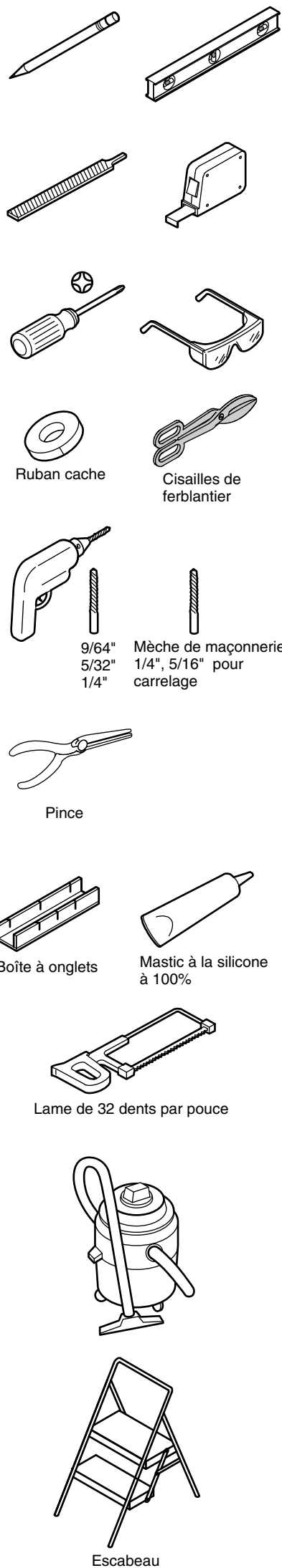
**AVIS:** La garantie ne s'applique pas aux produits qui ont été modifiés ou altérés d'une autre façon que celle permise de manière expresse dans le guide d'installation et d'entretien.

Lire et suivre toutes les instructions avant d'installer ou d'utiliser ce produit.

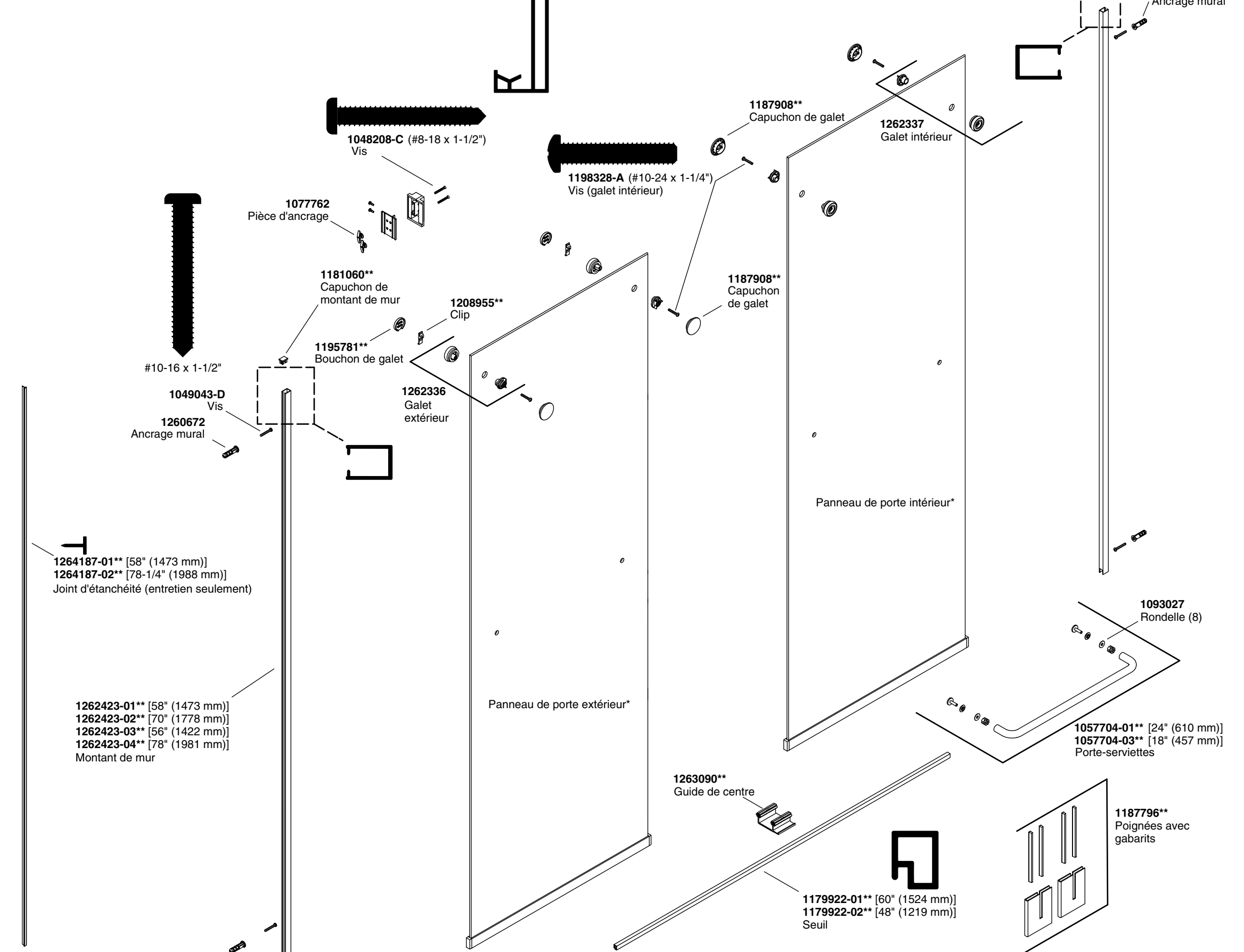
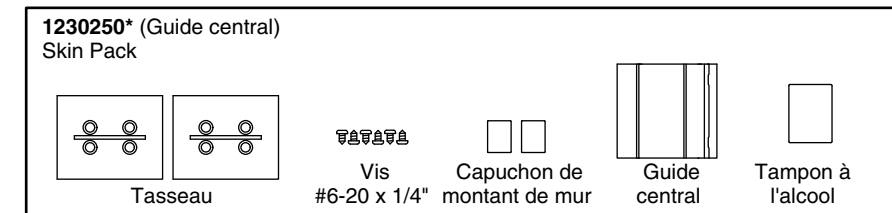
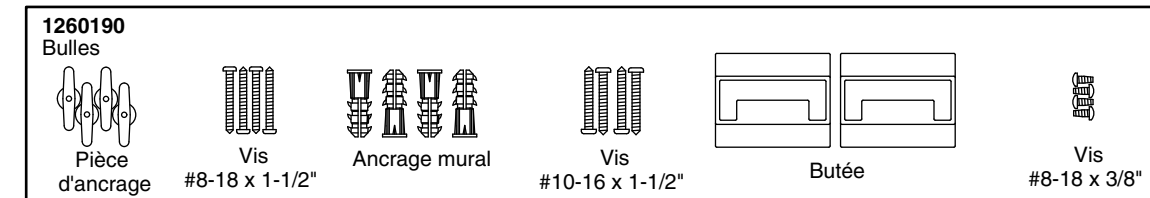
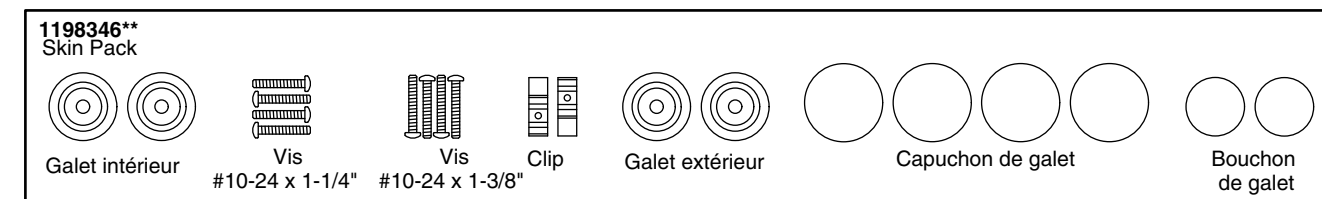
Les murs doivent être compris dans un rayon de 3/8" (10 mm) de l'aplomb.

Suivre les instructions du fabricant du mastic à la silicone en ce qui concerne l'application et le temps de prise.

**Outils requis**



**Identification des pièces**



**1 Mesurer le rebord:**  
Vérifier que la largeur du rebord est égale à 2-1/2" (64 mm) au moins. Ne pas installer la porte si la largeur n'est pas égale à 2-1/2" (64 mm). Couvrir le drain avec du ruban adhésif pour éviter de perdre les petites pièces.

**2 Mesurer et couper le seuil:**  
Mesurer la distance "A". Marquer la distance "A" sur le seuil. Soustraire 1/4" (6 mm) de "A" et marquer un deuxième repère. Couper le seuil au niveau du deuxième repère.

**3 Positionner le seuil:**  
Si nécessaire, limer les extrémités du seuil pour les adapter à l'arrondi des coins. Le seuil doit reposer à plat. Installer le seuil aussi près que possible de l'avant du rebord. Marquer l'emplacement. Fixer le seuil en place avec du ruban. Marquer le centre exact du rebord de la douche.

**4 Installer le guide central:**  
Nettoyer l'emplacement du guide central à l'arrière du seuil avec un tampon à l'alcool. Retirer le dos (1) des bandes adhésives sur le guide central. Aligner et tourner le guide central pour le mettre en place (2) en alignant les repères centraux du guide et du seuil. Enfoncez fermement le guide central en place (3).

**5 Préparer les montants de mur:**  
**IMPORTANT!** Le seuil et le montant de mur doivent être bien adaptés contre le rebord et le mur. Placer le montant de mur par-dessus le seuil. Si nécessaire, couper et limer les extrémités suivant l'arrondi des coins.

**6 Installer les montants de mur:**  
Placer les montants de mur par-dessus le seuil. Mettre d'aplomb en utilisant un niveau. Mettre les montants de mur en place avec du ruban.

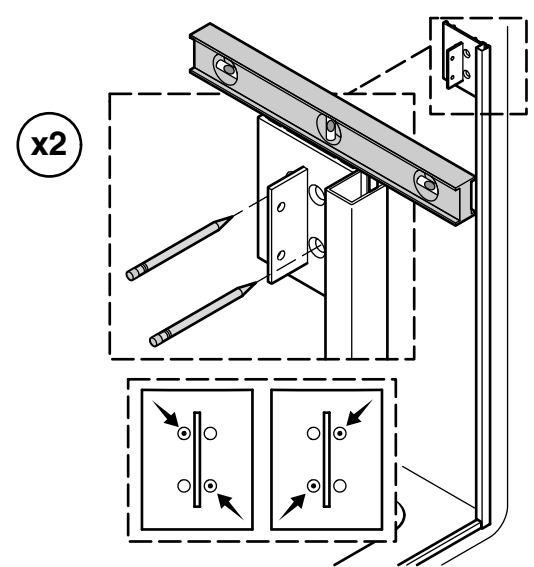
**7 Positionner les pièces d'ancrage des montants de mur:**  
Sur chaque côté du montant de mur, mesurer 1" (25 mm) vers le bas et marquer le côté du montant de mur. Retirer le montant de mur. Marquer le point central entre les repères.

**8 Installations de carrelage seulement:**  
Marquer le carrelage à l'emplacement du trou avant de percer en tapant avec précaution sur le repère avec un pointeau. Ceci empêche la mèche de se déplacer lorsqu'on commence à percer le trou. Lors de l'installation sur un mur de carrelage, commencer par percer un trou de petit diamètre, puis un trou de la taille correcte. Installer les pièces d'ancrage. Ne pas installer les vis directement dans le carrelage, étant donné que ceci pourrait fissurer celui-ci. Utiliser une mèche à maçonnerie lors du perçage.

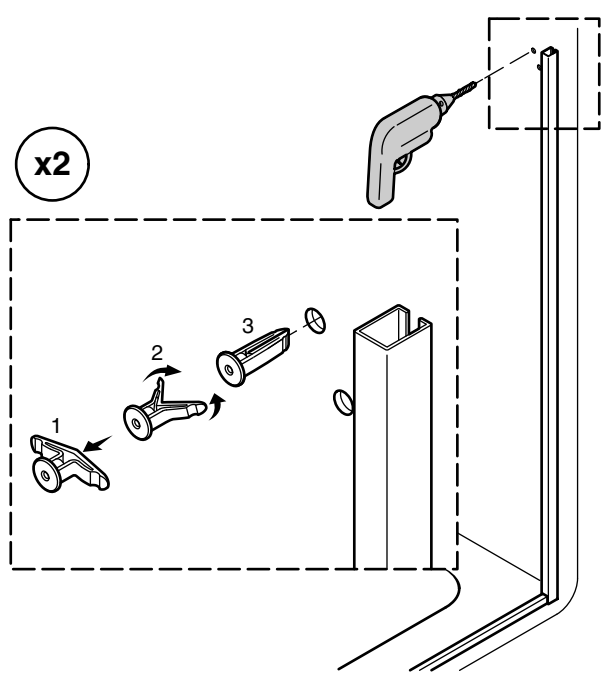
**9 Installer les pièces d'ancrage de montants de mur supérieures:**  
Percer un trou de 1/4" à chaque repère. Installer les pièces d'ancrage fournies. Installer les deux vis #10-16 x 1-1/2", une pour chaque montant de mur, en laissant un écartement de 1/8" (3 mm) entre la tête de vis et le mur.

**10 Installer les montants de mur:**  
Glisser chaque montant de mur sur la vis supérieure, puis abaisser par-dessus le seuil. **IMPORTANT!** Les montants doivent être serrés contre le mur. Ajuster les vis selon les besoins.

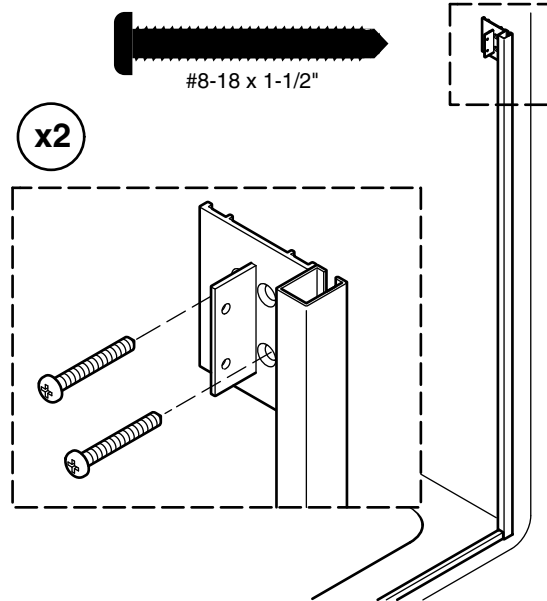
**11 Positionner les tasseaux:**  
**IMPORTANT!** Chaque tasseau doit entrer en contact avec le côté du montant de mur et être de niveau avec le dessus.  
 Positionner un tasseau de manière à ce qu'il soit en contact avec le montant de mur, haut du niveau du tasseau avec le haut du montant de mur.  
 Marquer les deux trous à la diagonale.  
**IMPORTANT!** Ne pas utiliser les trous qui se font face.



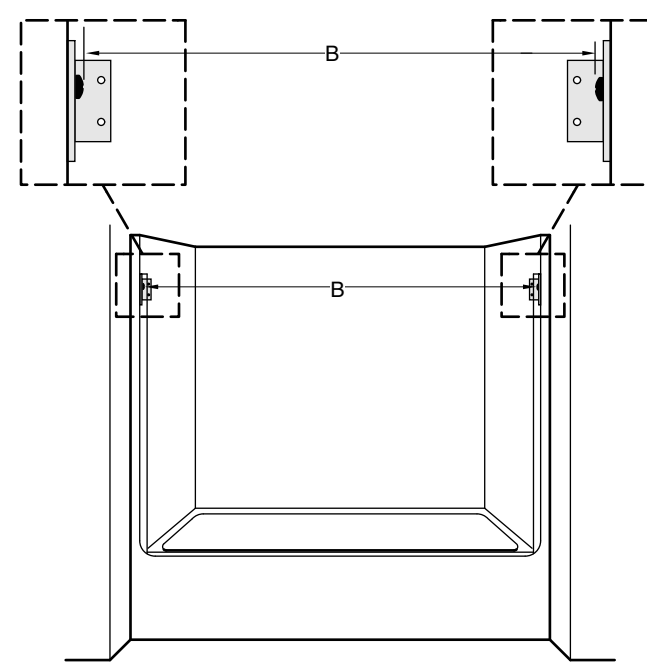
**12 Installer les pièces d'ancrage:**  
**IMPORTANT!** Percer des trous de 5/16" sur les deux repères diagonaux du taquet.  
 Insérer les pièces d'ancrage.



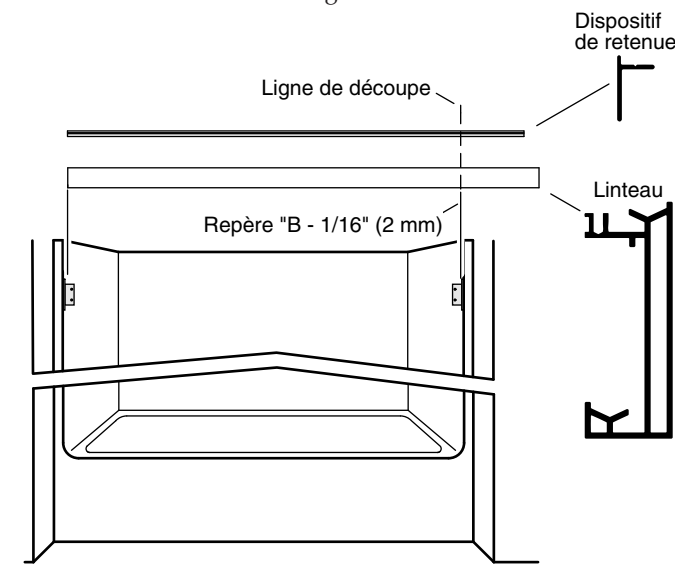
**13 Installer les tasseaux:**  
**IMPORTANT!** Chaque tasseau doit être de niveau avec le dessus du montant de mur et être en contact avec le montant de mur.  
 Aligner le tasseau avec le montant de mur et fixer en place avec deux vis #8-18 x 1-1/2".  
**REMARQUE:** Le deuxième ensemble de trous peut être utilisé si le premier ensemble n'est pas aligné correctement. Répéter l'étape 11 si nécessaire.



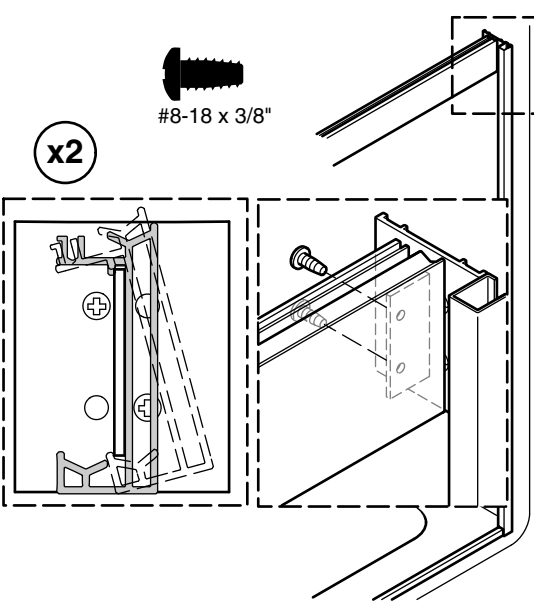
**14 Mesurer la longueur du linteau et du dispositif de retenue:**  
 Mesurer la distance "B" entre les têtes de vis.  
 Soustraire 1/16" (2 mm) de "B" pour la dimension finale.



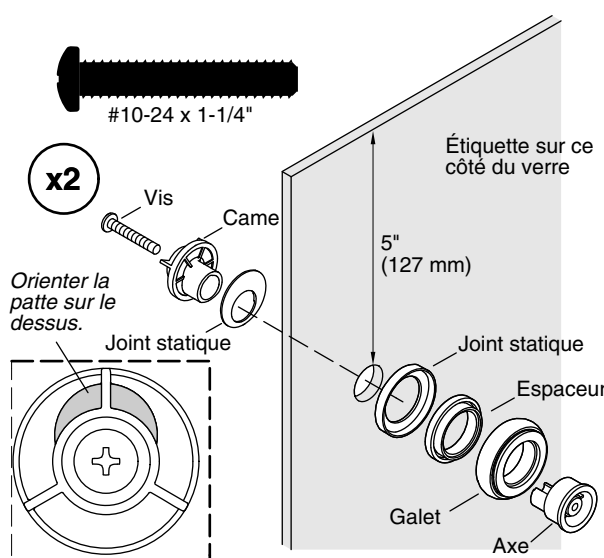
**15 Couper le dispositif de retenue et le linteau.**  
**IMPORTANT!** Vérifier les mesures avant de couper. Ne pas couper trop court.  
 Mesurer et marquer la dimension "B - 1/16" (2 mm) sur le linteau.  
 Couper le linteau au niveau du repère.  
 Mesurer et marquer la dimension "B - 1/16" (2 mm) sur le dispositif de retenue.  
 Couper le dispositif de retenue au niveau du repère.  
 Limer tous les bords rugueux.



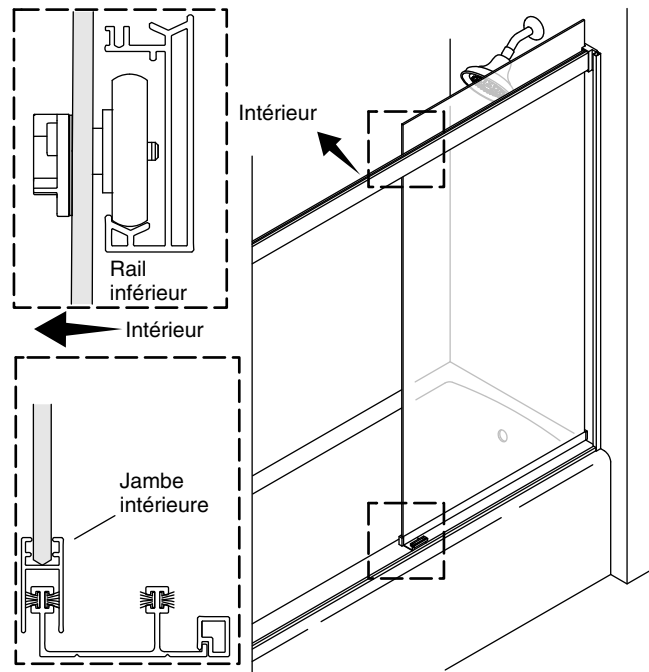
**16 Installer le linteau:**  
 Tourner le linteau, côté plat vers l'extérieur, pour le mettre en place sur les tasseaux.  
 Fixer sur chaque tasseau avec deux vis auto-perçantes #8-18 x 3/8", à partir de l'intérieur de la douche.  
 Nettoyer avec précaution et à fond le rail supérieur, en s'assurant de l'absence de débris sur la rainure à galets.



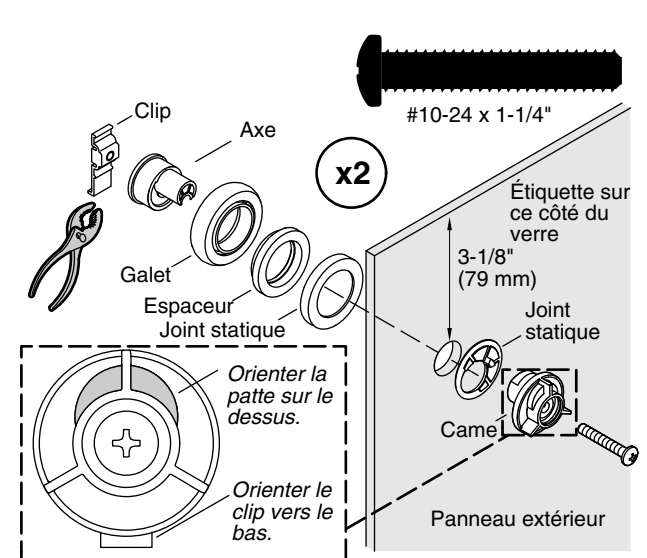
**17 Assembler le panneau intérieur:**  
**IMPORTANT!** Le panneau intérieur mesure 5" (140 mm) entre le trou et le haut du verre.  
 Assembler et installer les galets intérieurs, avec la patte sur le dessus, et les vis #10-24 x 1-1/4" dans les trous supérieurs.  
 Serrer solidement les vis.  
**REMARQUE:** Le panneau intérieur est positionné avec les rouleaux tournés vers l'entrée (extérieur) du module de la douche.



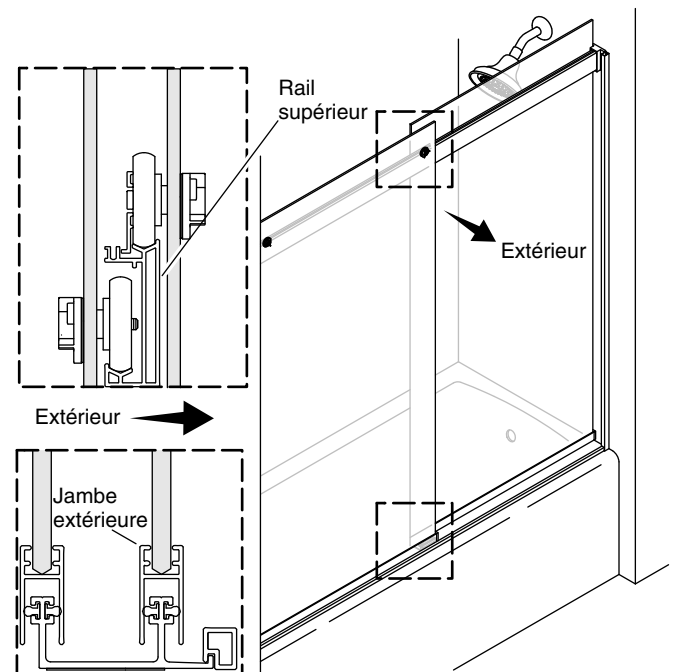
**18 Installer le panneau intérieur:**  
 Avec de l'aide, lever le panneau intérieur par-dessus le guide à partir de l'intérieur de la douche, pour le poser dans le rail inférieur du linteau.  
 Vérifier que le canal se trouvant sur le bas du panneau de porte est engagé avec la jambe intérieure sur le guide central.



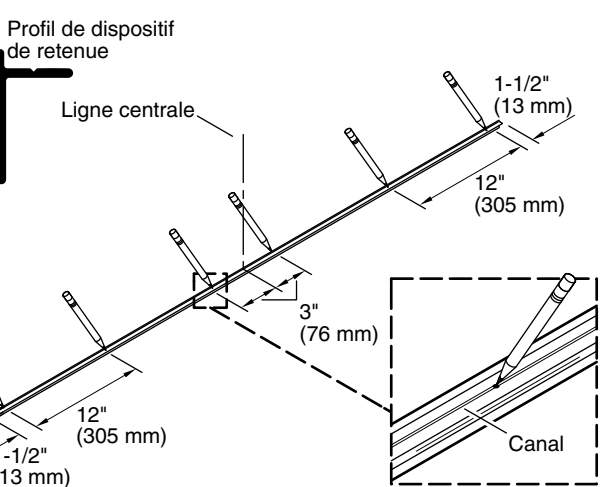
**19 Assembler le panneau extérieur:**  
 Installer un rouleau extérieur, ainsi qu'une agrafe et une vis #10-24 x 1-1/4" dans chaque trou supérieur.  
 Tenir l'agrafe anti-saut avec une pince, accrocher dans la position de 6 heures lors du serrage de la vis.  
 Serrer la vis solidement.



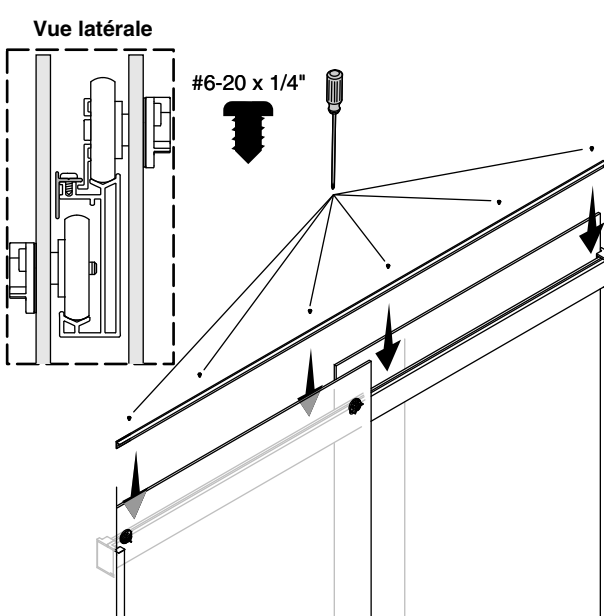
**20 Installer le panneau extérieur:**  
 Avec de l'aide, lever le panneau extérieur pour le mettre sur la jambe extérieure du guide, puis sur le rail supérieur.  
 Aller à l'étape 28 si un ajustement immédiat d'un panneau de porte est nécessaire.



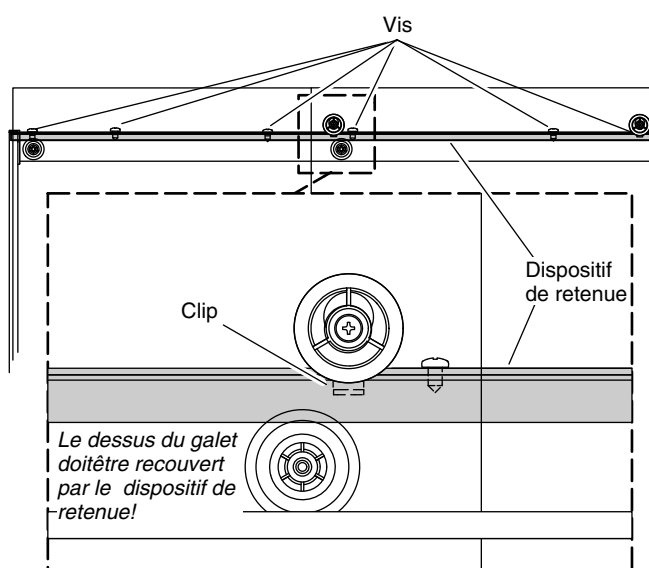
**21 Installer le dispositif de retenue:**  
**IMPORTANT!** Placer les vis aux dimensions indiquées.  
 Marquer la ligne centrale sur le dessus du dispositif de retenue.  
 Sur le dessus du dispositif de retenue, marquer les emplacements des trous dans le canal aux emplacements indiqués.  
 Percer six trous de 5/32" dans le dispositif de retenue au niveau des repères.  
 Éliminer toutes les bavures.



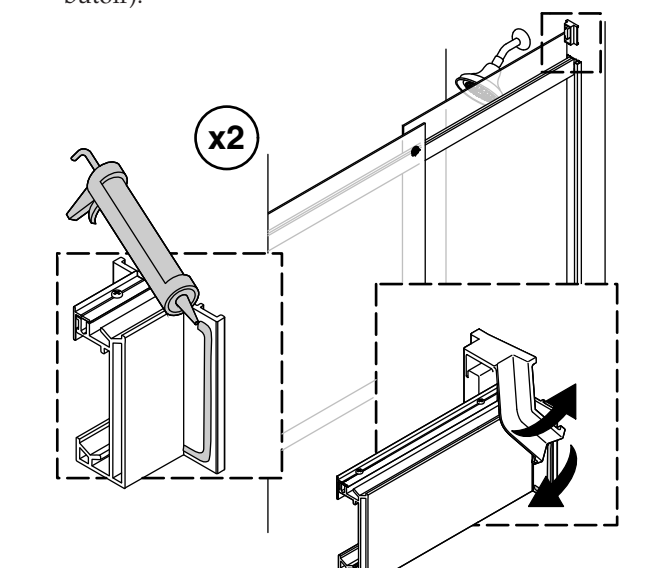
**22 Installer le dispositif de retenue:**  
 Enfiler le dispositif de retenue entre les panneaux.  
 Fixer le dispositif de retenue sur le linteau avec six vis.



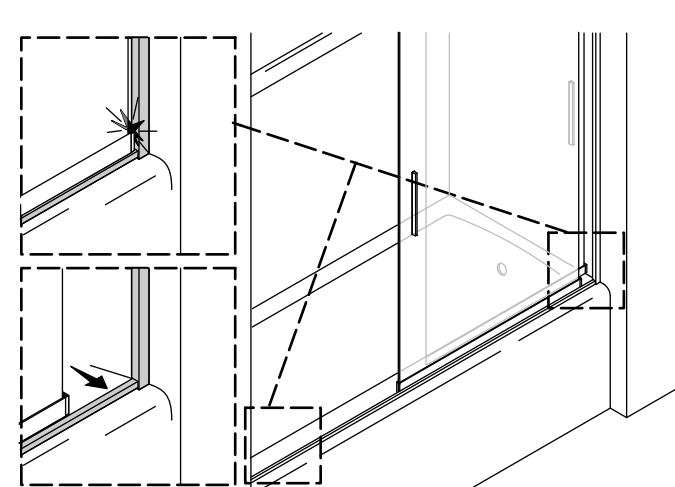
**23 Vérifier que le dispositif de retenue et les galets sont installés correctement:**  
 Vérifier que le dispositif de retenue est dans la position correcte, fixer en place avec six vis.  
 Vérifier que la partie supérieure des galets se trouvant sur le panneau intérieur se trouve à l'arrière du dispositif de retenue.  
 Vérifier que les clips anti-saut se trouvant sur le panneau extérieur sont dirigés vers le bas.



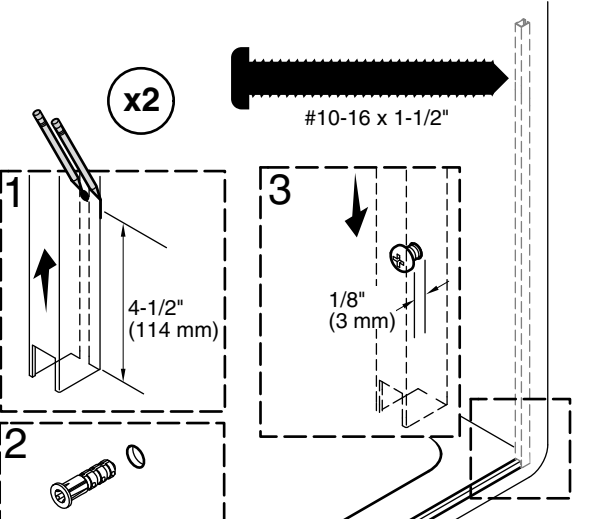
**24 Installer les butoirs:**  
 Appliquer du mastic à la silicone à 100% sur les deux côtés du tasseau.  
 Positionner un butoir par-dessus le rail supérieur, en l'engageant dans le rail. Fermer le butoir.  
 Faire glisser le butoir le long du rail et appuyer pour qu'il soit bien serré sur le tasseau.  
 Répéter avec le deuxième butoir (le deuxième butoir est installé avec l'ouverture sur le côté opposé du premier butoir).



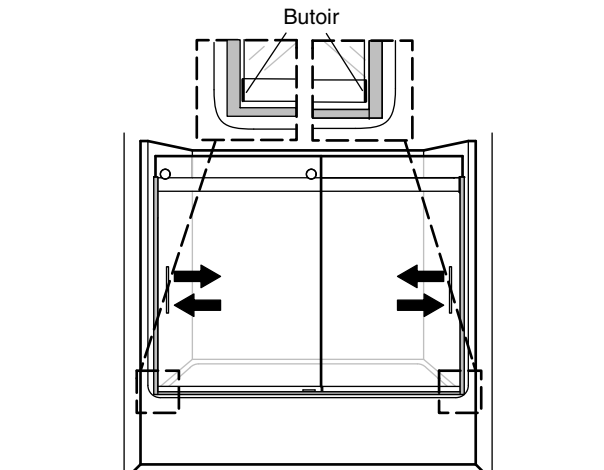
**25 Vérifier l'alignement du cadre:**  
 Faire glisser les panneaux de porte vers l'avant et vers l'arrière.  
 Si le panneau de porte extérieur entre en contact avec le montant de mur, retirer le ruban sur le seuil. S'il n'y a pas de contact, passer à l'étape suivante.  
 Ajuster le montant de mur vers l'extérieur, jusqu'à ce que le contact soit éliminé. Mettre le seuil en place avec du ruban sur ce côté.  
 Répéter avec le montant de mur opposé.  
 Vérifier que le seuil est parallèle au rebord avant.  
 Effectuer les ajustements nécessaires.



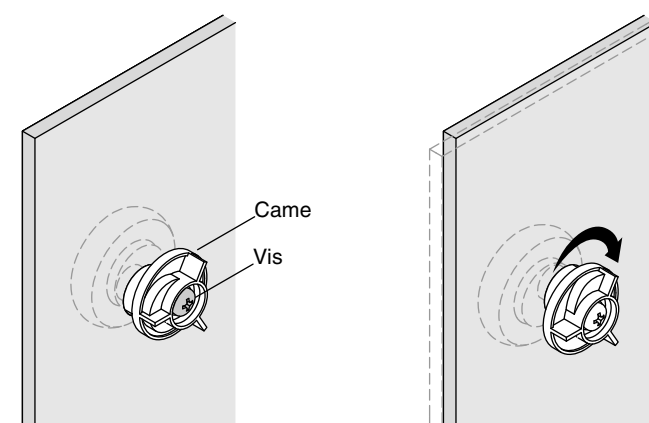
**26 Installer les vis des montants de mur inférieurs:**  
 Sur chaque côté du montant de mur (1), mesurer 4-1/2" (114 mm) vers le haut et marquer chaque côté du montant de mur.  
 Faire glisser le montant de mur vers le haut, au-delà des repères. Marquer le point central entre les repères.  
 Retirer les montants de murs. Percer un trou de 1/4" (2) au niveau de chaque repère central. Installer les pièces d'ancrage fournies.  
 Installer les deux vis #10-16 x 1-1/2" (3), en laissant un écartement de 1/8" (6 mm) entre la tête de vis et le mur.



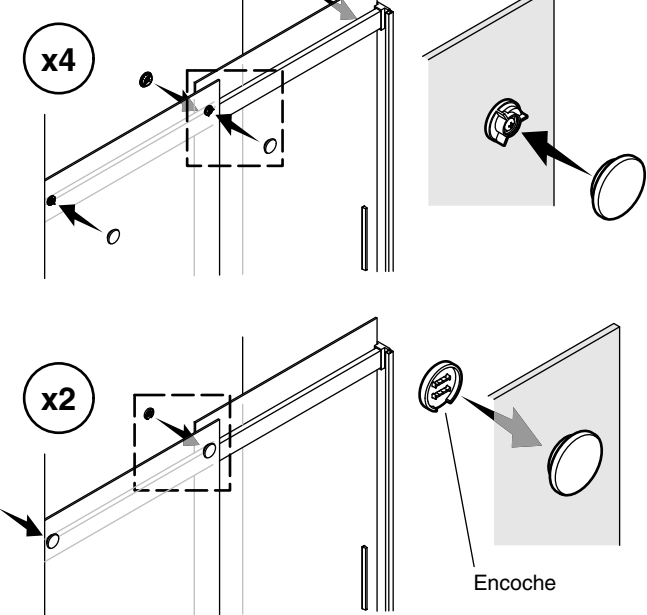
**27 Liste de vérification de fonctionnement:**  
 Vérifier que les butoirs inférieurs sont installés sur les panneaux de porte.  
 Faire glisser les panneaux de porte vers l'avant et vers l'arrière.  
 Vérifier que les panneaux de porte ne frottent pas sur le sol.  
 Vérifier que les panneaux de porte sont d'aplomb par rapport aux montants de mur.  
 Vérifier que les butoirs supérieurs et inférieurs entrent en contact avec les panneaux de porte en même temps.  
 Passer à l'étape suivante si un ajustement est requis.



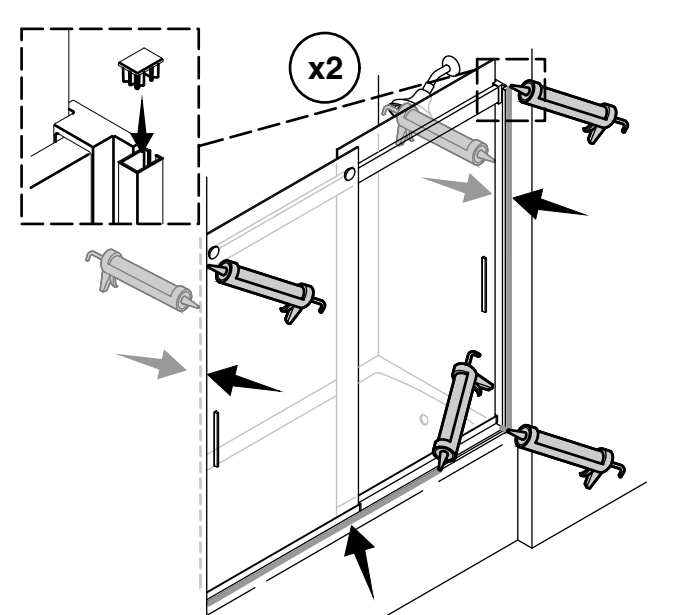
**28 Ajustement final:**  
 Ajuster la hauteur et l'orientation des panneaux en desserrant les vis et en tournant la came de réglage.  
 Répétez jusqu'à ce que la porte fonctionne avec souplesse, puis resserrer les vis solidement.  
 Vérifier que le clip anti-saut est toujours orienté correctement (voir l'étape 23).



**29 Installer les capuchons de galets:**  
 Installer les porte-serviettes et la poignée en utilisant les instructions séparées fournies.  
 Encliqueter un capuchon en place sur chacun des quatre galets.  
 Installer les capuchons des agrafes, partie avant tournée vers le bas, sur le côté agrafé des galets intérieurs.



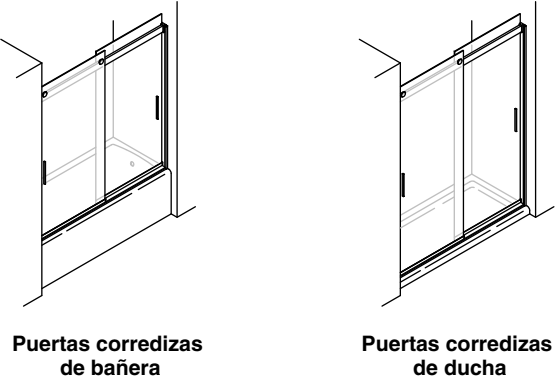
**30 Appliquer du mastic à la silicone:**  
 Enfoncer le capuchon sur le montant de mur.  
 Appliquer du mastic à la silicone à 100% le long des montants de mur à l'intérieur et à l'extérieur de la douche, le long du seuil à l'extérieur de la douche, et autour de la base du guide central.



Dépannage	
Symptôme: Alignement	Action recommandée
1. Le haut du panneau de porte est incliné vers le sens opposé du mur ou le bas du panneau de porte est incliné vers le sens opposé du mur.	A. Retirer les capuchons de galet. Desserrer la vis de galet et faire pivoter les cames de galet. Conseil: utiliser le capuchon de galet pour faire pivoter la came. Voir les étapes 17, 19 et 28.
2. Le panneau de la porte ne touche pas le butoir.	A. Déterminer si le haut ou le bas du panneau de porte est le plus proche du mur, puis ajuster le galet qui est le plus proche du mur.
Symptôme: Présence de fuites d'eau	Action recommandée
1. Fuites d'eau entre les panneaux.	A. Lors de la douche, s'assurer que le panneau intérieur se trouve contre le mur de la pomme de douche.
2. Fuites d'eau entre le montant de mur et le panneau de la porte.	A. Ajuster le panneau de la porte pour l'aligner sur le montant du mur. B. Commander le kit d'étanchéité optionnel.
3. Fuites d'eau sous le seuil.	A. Vérifier que le mastic à la silicone est appliqué correctement. Voir l'étape 30. Appliquer du mastic à la silicone supplémentaire à l'emplacement de la fuite.
4. Fuites d'eau autour de la zone du montant de mur.	A. Le montant de mur à encoche se place sur le seuil pour couvrir toute mauvaise coupe ou toute coupe asymétrique. Mastiquer conformément aux instructions pour assurer une bonne étanchéité à l'eau. Voir l'étape 30.
Symptôme: Fonctionnement (ouverture/fermeture)	Action recommandée
1. Le panneau intérieur et/ou extérieur est difficile à déplacer.	A. S'assurer qu'il y a un espace entre le guide et le panneau de la porte. Si aucun écart n'est présent, élever la position des galets. B. S'assurer que le panneau est correctement engagé sur le guide central. Voir l'étape 20. C. S'assurer que les galets sont installés correctement. Voir les étapes 17 et 19. D. Vérifier que l'étrier de suspension est serré contre le verre.
2. Bruit de frottement durant le mouvement du panneau.	A. Vérifier que les clips anti-saut sont droits et ne frottent pas sur le linteau. Voir l'étape 23. B. S'assurer que la taille des vis de galets est correcte. Voir les étapes 17 et 19. Assurer que les vis des galets sont entièrement serrées. C. Assurer que le dispositif de retenue est attaché en toute sécurité. Voir l'étape 22.

**Garantie**  
**GARANTIE LIMITÉE D'UN AN**  
 Les produits de plomberie KOHLER sont garantis contre tout vice de matériau et de fabrication pendant un an à partir de la date de l'installation.  
 Si un vice est découvert au cours d'une utilisation normale, Kohler Co. choisira, à sa discrétion, la réparation, le remplacement ou la rectification appropriée après inspection desdits vices par Kohler Co. pendant un (1) an à partir de la date d'installation. Kohler Co. n'est pas responsable des frais d'enlèvement ou d'installation. **L'utilisation de nettoyeurs à l'intérieur du réservoir annule la garantie.**  
 Pour obtenir le service de garantie, contacter Kohler Co., par l'intermédiaire du vendeur, plombier, centre de rénovation ou revendeur par internet, ou bien par écrit à l'adresse suivante Kohler Co., Attn.: Customer Care Center, 444 Highland Drive, Kohler, WI 53044, USA, ou appeler le 1-800-4-KOHLER (1-800-456-4537) à partir des É.-U. et du Canada, et le 001-800-456-4537 à partir du Mexique, ou consulter le site [www.kohler.com](http://www.kohler.com) aux É.-U., [www.ca.kohler.com](http://www.ca.kohler.com) à partir du Canada, ou [www.mx.kohler.com](http://www.mx.kohler.com) au Mexique.  
**LES GARANTIES TACITES, Y COMPRIS CELLES DE COMMERCIALITÉ ET D'ADAPTATION À UN USAGE PARTICULIER, SONT EXPRESSÉMENT LIMITÉE À LA DURÉE DE LA PRÉSENTE GARANTIE. KOHLER CO. ET/OU LE REVENDEUR DÉCLINENT TOUTE RESPONSABILITÉ CONTRE LES DOMMAGES PARTICULIERS, ACCESSOIRES OU INDIRECTS.** Certains états et provinces ne permettent pas de limiter sur la durée de la garantie tacite, ni l'exclusion ou la limite des dommages particuliers, accessoires ou indirects, et, par conséquent, lesdites limites et exclusions peuvent ne pas s'appliquer à votre cas. Cette garantie vous donne des droits juridiques particuliers. Vous pouvez également avoir d'autres droits qui varient d'un état ou d'une province à l'autre.  
**Ceci constitue la garantie écrite exclusive de Kohler Co.**

1201264-2-E



Puertas corredizas de bañera

Puertas corredizas de ducha

EE.UU./Canadá: 1-800-4KOHLER  
México: 001-800-456-4537  
kohler.com

**ADVERTENCIA: Riesgo de lesiones graves.** Daños previos a la instalación podrían ocasionar que el vidrio se quiebre en pedazos. Antes de hacer la instalación revise el vidrio y todas las piezas para ver si presentan daños.

**ADVERTENCIA: Riesgo de lesiones graves.** Si la instalación se hace de manera incorrecta, el vidrio podría quebrarse en pedazos. Siga todas las instrucciones de instalación.

**ADVERTENCIA: Riesgo de lesiones graves.** No corte vidrio templado. El vidrio templado se quiebra en pedazos si se corta.

**ADVERTENCIA: Riesgo de lesiones graves.** La puerta y los paneles laterales de la ducha podrían quebrarse en pedazos. Revise con regularidad el vidrio y todas las piezas para ver si presentan daños, si algo falta o si hay piezas sueltas.

**ADVERTENCIA: Riesgo de lesiones graves.** Siempre use anteojos de seguridad al mover, instalar o cortar los paneles de vidrio o de taladrar en ellos.

**¡IMPORTANTE!** No toque los filos del vidrio templado con herramientas ni con ningún otro objeto duro. No ponga el vidrio templado sin marco directamente sobre el piso ni sobre ninguna otra superficie dura.

**¡IMPORTANTE!** Deje este manual para el usuario final.

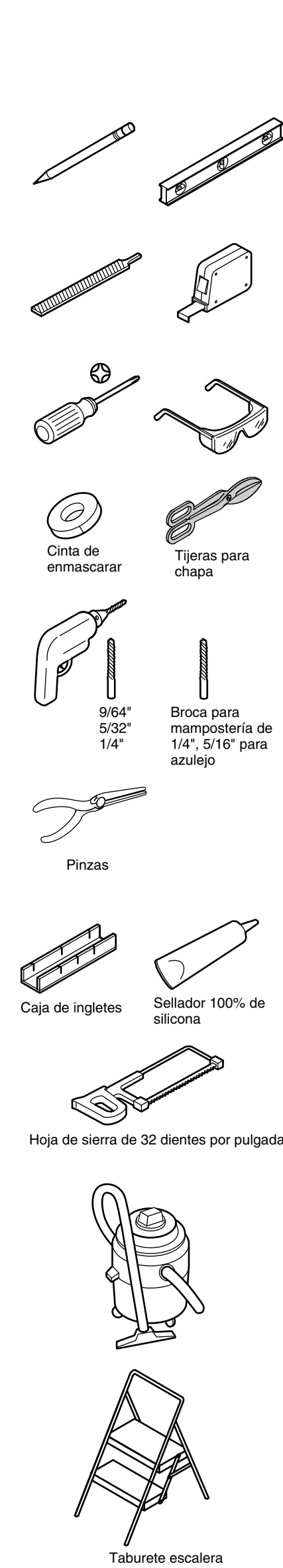
**AVISO: La garantía no se aplica a producto que haya sido modificado o alterado de alguna forma que no sea alguna de las permitidas expresamente en la Guía de instalación y cuidado.**

Lea y siga todas las instrucciones antes de instalar o de utilizar este producto.

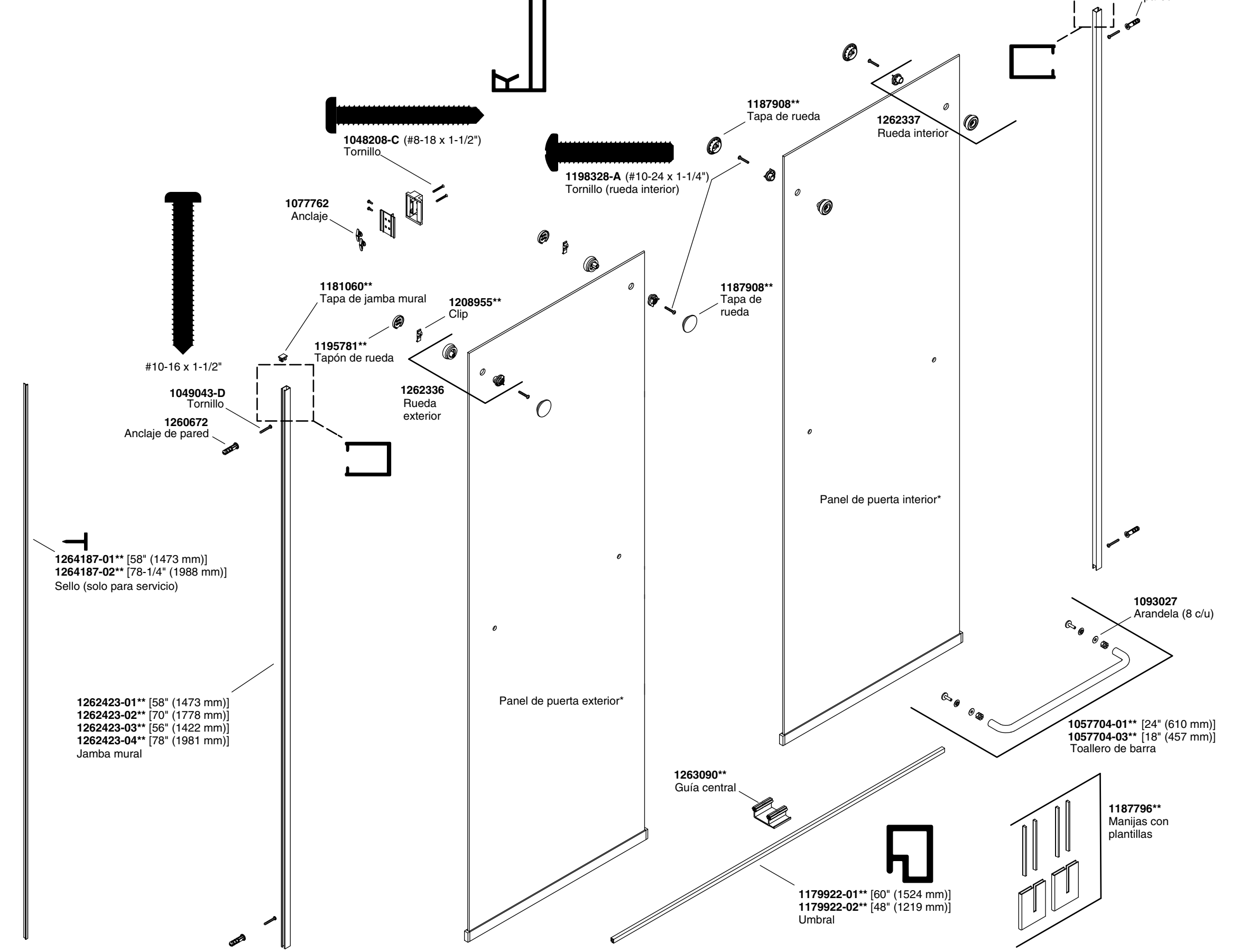
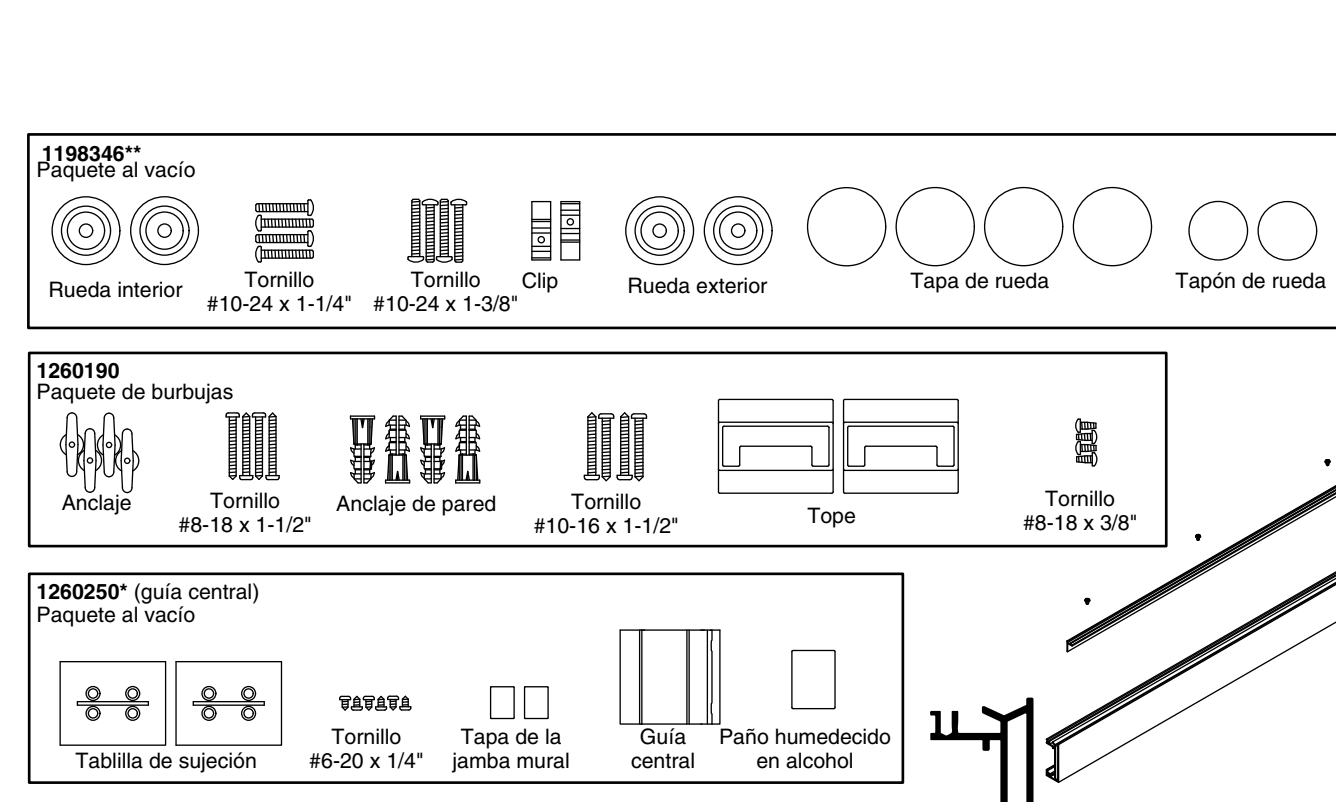
Las paredes deben estar a menos de 3/8" (10 mm) de estar a plomo.

Siga las instrucciones de aplicación y de tiempo de secado del fabricante del sellador de silicona.

**Herramientas requeridas**



**Identificación de piezas**



**1 Mida el reborde:**  
Confirme que el reborde mida por lo menos 2-1/2" (64 mm) de ancho. **No** instale la puerta si no hay 2-1/2" (64 mm) de ancho.  
Cubra el desagüe con cinta de enmascarar para evitar perder piezas pequeñas.

**2 Mida y corte el umbral:**  
Mida la distancia "A".  
Marque la distancia "A" en el umbral.  
Reste (6 mm) de "A" y haga una segunda marca.  
Corte el umbral en la segunda marca.

**3 Coloque el umbral en su lugar:**  
De ser necesario, lime los extremos del umbral para igualarlos al radio de las esquinas. El umbral debe quedar bien asentado.  
Instale el umbral lo más cerca posible del frente del reborde. Marque la ubicación.  
Aplique cinta adhesiva para sostener el umbral en su lugar.  
Marque el centro exacto del reborde de la ducha.

**4 Instale la guía central:**  
Con el paño humedecido en alcohol, limpie el lugar para la guía central detrás del umbral.  
Retire el papel protector (1) de las tiras adhesivas en la guía central.  
Alinee y gire la guía central a su lugar (2) de manera que las marcas centrales en la guía y en el umbral queden alineadas.  
Oprima la guía central con firmeza en su lugar (3).

**5 Prepare las jambas murales:**  
**¡IMPORTANTE!** El umbral y la jamba mural deben quedar a plomo con el reborde y la pared.  
Coloque la jamba mural sobre el umbral.  
De ser necesario, recorte y lime los extremos para igualar el radio de las esquinas.

**6 Instale las jambas murales:**  
Coloque las jambas murales sobre el umbral.  
Ponga a plomo con un nivel.  
Con cinta de enmascarar pegue las jambas murales en su lugar.

**7 Ubique los anclajes de las jambas murales:**  
A cada lado de la jamba mural mida 1" (25 mm) hacia abajo, y marque el lado de la jamba mural.  
Retire la jamba mural. Marque el punto central entre las marcas.

**8 Solo en instalaciones en azulejo:**  
Antes de taladrar haga con cuidado una marca en el azulejo en el lugar del orificio. Esto evita que la broca se mueva al comenzar a taladrar el orificio.  
Al instalar en una pared de azulejo, primero taladre un orificio de poco diámetro, y luego un orificio más grande.  
Instale anclajes. No instale tornillos directamente en el azulejo, ya que esto podría fisurar el azulejo.  
Al taladrar, utilice una broca para mampostería.

**9 Instale los anclajes de la jamba mural superior:**  
Taladre un orificio de 1/4" en cada marca.  
Instale los anclajes de pared que se incluyen.  
Instale los dos tornillos #10-16 x 1-1/2", uno en cada jamba mural, y deje una separación de 1/8" (3 mm) entre la cabeza del tornillo y la pared.

**10 Instale las jambas murales:**  
Deslice cada jamba mural hacia el tornillo superior, y luego hacia abajo sobre el umbral.  
**¡IMPORTANTE!** Las jambas deben quedar apretadas contra la pared. Ajuste los tornillos lo que sea necesario.

**11 Ubique las tabillas de sujeción:**  
**¡IMPORTANTE!** Cada una de las tabillas de sujeción debe hacer contacto con el lado de la jamba mural y estar nivelada con la parte superior.  
 Coloque una tabilla de sujeción en contacto con la jamba mural, la parte superior de la tabilla de sujeción nivelada con la parte superior de la jamba mural.  
 Marque 2 orificios diagonalmente.  
**¡IMPORTANTE!** No use orificios que estén uno frente al otro.

**12 Instale los anclajes:**  
 Taladre orificios de 5/16" en las dos marcas diagonales de la tabilla de sujeción.  
 Introduzca los anclajes.

x2

**13 Instale las tabillas de sujeción:**  
**¡IMPORTANTE!** Cada una de las tabillas de sujeción debe quedar nivelada con la parte superior de la jamba mural y en contacto con la jamba mural.  
 Alinee la tabilla de sujeción con la jamba mural, y fije con dos tornillos #8-18 x 1-1/2".  
**NOTA:** Puede usarse el segundo juego de orificios si el primer juego no queda bien alineado. Repita el paso 11, si es necesario.

x2

**14 Mida la longitud del dintel y del retenedor:**  
 Mida la distancia "B" sobre las cabezas de los tornillos.  
 Reste 1/16" (2 mm) de la dimensión "B" para obtener la dimensión final.

**15 Corte el retenedor y el dintel:**  
**¡IMPORTANTE!** Confirme sus medidas antes de cortar. No corte demasiado corto.  
 Mida y marque la dimensión "B - 1/16" (2 mm) en el dintel.  
 Corte el dintel en la marca.  
 Mida y marque la dimensión "B - 1/16" (2 mm) en el retenedor.  
 Corte el retenedor en la marca.  
 Lime los bordes ásperos.

**16 Instale el dintel:**  
 Gire el dintel a su lugar, con el lado plano hacia fuera, en su lugar en las tabillas de sujeción.  
 Fíjelo a cada tabilla de sujeción con dos tornillos autorroscantes #8-18 x 3/8" desde el interior de la ducha.  
 Limpie con cuidado y a profundidad el carril superior, y asegúrese de que no queden partículas residuales en la ranura para ruedas.

x2

**17 Ensamble el panel interior:**  
**¡IMPORTANTE!** El panel interior mide 5" (140 mm) del orificio a la parte superior del vidrio.  
 Ensamble e instale las ruedas interiores, con la cresta de la leva hacia arriba, y los tornillos #10-24 x 1-1/4" en los orificios superiores.  
 Apriete bien los tornillos.  
**NOTA:** El panel interior se coloca con las ruedas hacia la entrada (el exterior) del módulo de la ducha.

x2

**18 Instale el panel interior:**  
 Con ayuda, desde el interior de la ducha levante el panel interior sobre la guía y dentro del carril inferior en el dintel.  
 Confirme que el canal en la parte inferior del panel de la puerta encaje con la pata interior en la guía central.

**19 Ensamble el panel exterior:**  
 Instale una rueda exterior, un clip, y un tornillo de #10-24 x 1-1/4" en cada orificio superior.  
 Sostenga el clip contra saltos con unas pinzas, enganche en la posición de las 6 del reloj a medida que aprieta el tornillo.  
 Apriete bien el tornillo.

x2

**20 Instale el panel exterior:**  
 Con ayuda, levante el panel exterior en la pata exterior de la guía, y luego en el carril superior.  
 Si es necesario hacer ajustes de inmediato en cualquiera de los paneles de puerta, consulte el paso 28.

**21 Instale el retenedor:**  
**¡IMPORTANTE!** Coloque los tornillos en los lugares que se indican.  
 En la parte superior del retenedor, marque la línea de centros.  
 En la parte superior del retenedor, marque los lugares de los orificios en el canal en los lugares indicados.  
 Taladre seis orificios de 5/32" en las marcas en el retenedor.  
 Quite todas las rebabas.

**22 Instale el retenedor:**  
 Deslice el retenedor entre los paneles.  
 Fije al retenedor al dintel con seis tornillos.

Vista lateral

**23 Confirme la instalación correcta del retenedor y de las ruedas:**  
 Confirme que el retenedor esté en la posición correcta, fijo con seis tornillos.  
 Confirme que la parte superior de las ruedas en el panel interior estén detrás del retenedor.  
 Confirme que los clips contra saltos en el panel exterior estén orientados hacia abajo.

**24 Instale los topes:**  
 Aplique sellador 100% de silicona a ambos lados de la tabilla de sujeción.  
 Coloque un tope sobre el carril superior, encajado en el riel. Cierre el tope.  
 Deslice el tope a lo largo del carril y oprímalo con firmeza contra la tabilla de sujeción.  
 Repita con el segundo tope (el segundo tope se instala con la abertura opuesta al primer tope).

x2

**25 Verifique la alineación del marco:**  
 Deslice los paneles de puerta en ambos sentidos.  
 Si el panel de la puerta exterior hace contacto con la jamba mural, retire la cinta adhesiva del umbral. Si no hay contacto, haga el siguiente paso.  
 Deslice la jamba mural hacia fuera hasta que se haya eliminado el contacto. Pegue el umbral en su lugar en este lado.  
 Repita con la jamba mural opuesta.  
 Confirme que el umbral quede paralelo al reborde frontal. Ajuste si es necesario.

**26 Instale los tornillos de la jamba mural inferior:**  
 A cada lado de la jamba mural (1) mida 4-1/2" (114 mm) hacia arriba, y marque cada lado de la jamba mural.  
 Deslice la jamba mural hacia arriba más allá de las marcas. Marque el punto central entre las marcas.  
 Retire las jambas murales. Taladre un orificio de 1/4" (2) en cada marca central. Instale los anclajes de pared que se incluyen.  
 Instale los dos tornillos #10-16 x 1-1/2" (3), y deje una separación de 1/8" (6 mm) entre la cabeza del tornillo y la pared.

x2

**27 Lista de verificación del funcionamiento:**  
 Confirme que los topes inferiores estén instalados en los paneles de puerta.  
 Deslice los paneles de puerta en ambos sentidos.  
 Confirme que los paneles de puerta no rocen contra el piso.  
 Confirme que los paneles de puerta estén a plomo con las jambas murales.  
 Confirme que los topes superior e inferior hagan contacto con los paneles de puerta al mismo tiempo.  
 Realice el siguiente paso si es necesario hacer ajustes.

**28 Ajuste final:**  
 Para ajustar la altura y la orientación de los paneles hay que aflojar los tornillos y girar la leva de ajuste.  
 Repita hasta que la puerta funcione sin dificultades, y luego vuelva a apretar los tornillos con firmeza.  
 Confirme que el clip contra saltos siga orientado correctamente (consulte el paso 23).

**29 Instale las tapas de las ruedas:**  
 Instale el taillero de barra o la manija de acuerdo a las instrucciones que se entregan por separado.  
 Encaje una tapa en su lugar en cada una de las cuatro ruedas.  
 Instale las tapas de los clips, con el lado plano hacia abajo, en el lado del clip de las ruedas interiores.

x4

**30 Aplique sellador de silicona:**  
 Presione la tapa en la jamba mural.  
 Aplique sellador 100% de silicona a lo largo de las jambas murales dentro y fuera de la ducha, a lo largo del umbral fuera de la ducha, y alrededor de la base de la guía central.

x2

**Resolución de problemas**

Síntoma: Alineación	Acción recomendada
1. La parte superior del panel de puerta está inclinada hacia fuera de la pared, o la parte inferior del panel de puerta está inclinada hacia fuera de la pared.	A. Retire las tapas de rueda. Afloje el tornillo de rueda y gire las levas de rueda. Sugerencia: Utilice la tapa de rueda para girar la leva. Vea los pasos 17, 19 y 28.
2. El panel de puerta no hace contacto con el tope.	A. Determine si la parte superior o si la parte inferior del panel de puerta está más cerca de la pared, y luego ajuste la rueda que esté más cerca de la pared.
Síntoma: Fugas de agua	Acción recomendada
1. Se fuga agua entre los paneles.	A. Al ducharse, asegúrese de que el panel interior esté contra la pared donde está la cabeza de ducha.
2. Se fuga agua entre la jamba mural y el panel de puerta.	A. Ajuste el panel de puerta para que quede alineado con la jamba mural. B. Pida el kit de sello opcional.
3. Se fuga agua por debajo del umbral.	A. Verifique que el sellador de silicona esté bien aplicado. Consulte el paso 30. Aplique más sellador de silicona en el lugar de la fuga.
4. Se fuga agua por el área de las jambas murales.	A. La jamba mural con muescas queda sobre el umbral para cubrir cortes mal hechos o sesgados. Selle como se indica para asegurar que el sello sea correcto e impermeable. Consulte el paso 30.
Síntoma: Funcionamiento (abrir/cerrar)	Acción recomendada
1. El panel interior y/o el exterior se mueven con dificultad.	A. Asegúrese de que haya una separación entre la guía y el panel de puerta. Si no hay separación, eleve la posición de las ruedas. B. Asegúrese de que el panel esté bien encajado sobre la guía central. Consulte el paso 20. C. Asegúrese de que las ruedas estén bien instaladas. Vea los pasos 17 y 19. D. Asegúrese de que el soporte de suspensión esté apretado contra el vidrio.
2. Ruido de roce al mover el panel.	A. Asegúrese de que los clips contra saltos estén derechos y que no rocen en el dintel. Consulte el paso 23. B. Asegúrese de que los tornillos de las ruedas sean del tamaño correcto. Vea los pasos 17 y 19. Asegúrese de que los tornillos de las ruedas estén completamente apretados. C. Asegúrese de que el retenedor esté apretado con firmeza. Consulte el paso 22.

**Garantía**

**GARANTÍA LIMITADA DE UN AÑO**  
 Se garantizan los productos de plomería KOHLER contra defectos de material y mano de obra durante un año a partir de la fecha de instalación.  
 Kohler Co., a su criterio, reparará, reemplazará o realizará los ajustes pertinentes en los casos en que la inspección realizada por Kohler Co. determine que dichos defectos hayan ocurrido durante el uso normal en el transcurso de un (1) año a partir de la fecha de instalación. Kohler Co. no se hace responsable de costos de desinstalación o de instalación. **El uso de limpiadores de inodoro que se colocan dentro del tanque anula la garantía.**  
 Para obtener el servicio de garantía, comuníquese con Kohler Co. a través de su distribuidor, contratista de plomería, centro de remodelación o distribuidor por Internet, o escriba a Kohler Co., Atención: Customer Care Center, 444 Highland Drive, Kohler, WI 53044, EE.UU., o llame al 1-800-4-KOHLER (1-800-456-4537) desde los EE.UU. y Canadá, o al 001-800-456-4537 desde México, o visite [www.kohler.com](http://www.kohler.com) desde los EE.UU., [www.ca.kohler.com](http://www.ca.kohler.com) desde Canadá, o [www.mx.kohler.com](http://www.mx.kohler.com) en México.  
**TODA GARANTÍA IMPLÍCITA, INCLUIDA LA DE COMERCIALIZACIÓN E IDONEIDAD DEL PRODUCTO PARA UN USO DETERMINADO, SE LIMITA EXPRESAMENTE A LA DURACIÓN DE ESTA GARANTÍA. KOHLER CO. Y/O EL VENDEDOR DESCARGAN TODA RESPONSABILIDAD POR CONCEPTO DE DAÑOS PARTICULARES, INCIDENTALES O INDIRECTOS.** Algunos estados/provincias no permiten limitaciones en cuanto a la duración de una garantía implícita o a la exclusión o limitación de daños particulares, incidentales o indirectos, por lo que estas limitaciones y exclusiones pueden no aplicar a su caso. Esta garantía le otorga ciertos derechos legales específicos. Además, usted también puede tener otros derechos que varían de estado a estado y de provincia a provincia.  
**Esta es la garantía exclusiva por escrito de Kohler Co.**