



Features

- End drain.
- Bask® heated surface creates spa-like relaxation with soothing warmth on your back, shoulders, and neck.
- Integral lumbar support and armrests for comfort.
- Textured bottom surface.
- 66" (1676 mm) x 35-7/8" (914 mm) x 20" (508 mm)

Material

- Acrylic

Hydrotherapy

- Single-speed whirlpool offers 5 fully adjustable hydro-massage jets for water flow and direction.
- Pump with air switch for whirlpool.

Installation

- Drop-in

Recommended Accessories

- K- 1234 Apron
- K- 7161-AF Bath Drain
- K- 9695 5-Jet Trim Kit
- K- 24916 Wireless Music Kit



Codes/Standards






ASME A112.19.7/CSA B45.10
CSA B45.5/IAPMO Z124
ASTM E162
ASTM E662
UL 1795
Greenguard UL 2818 - Gold
CARB P2

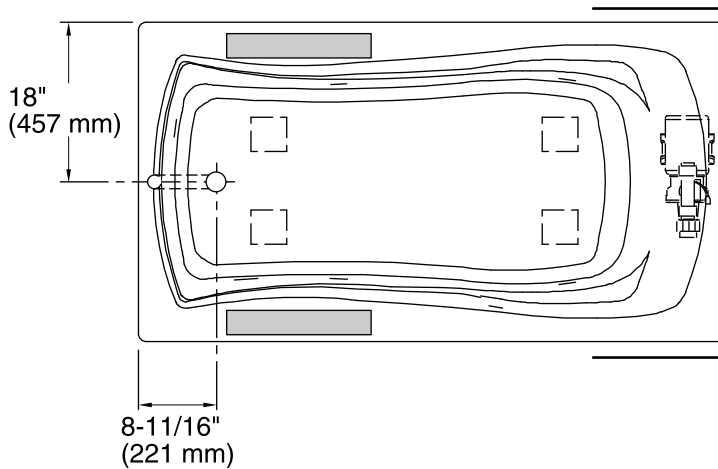
KOHLER® One-Year Limited Warranty

See website for detailed warranty information.

Available Color/Finishes

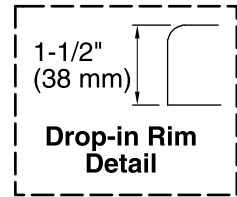
Color tiles intended for reference only.

| Color | Code | Description |
|--------------------------------------------------------------------------------------|------|-------------|
|  | 0 | White |
|  | 96 | Biscuit |
|  | 47 | Almond |
|  | NY | Dune |
|  | G9 | Sandbar |

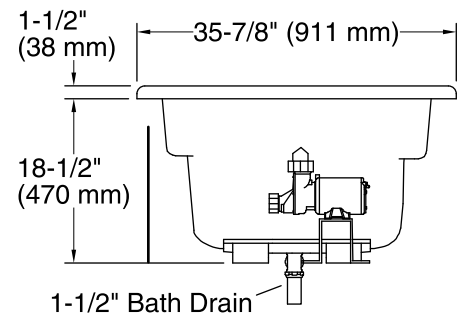
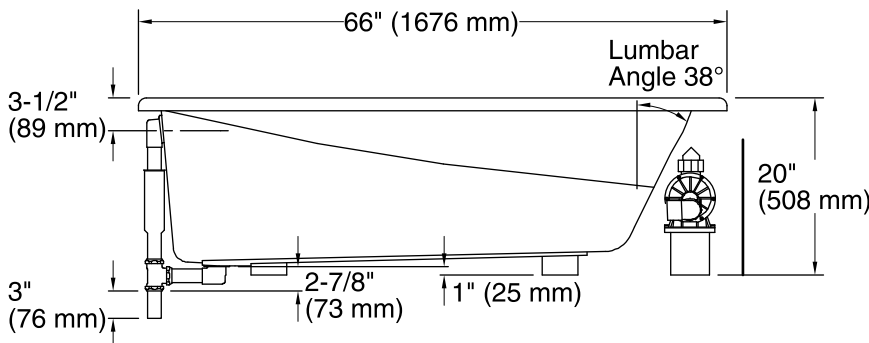


No change in measurements if connected with drain illustrated. (K-7161-AF)

Recommended Faucet Area



Pump/Control Access
(if apron is not used)
30" (762 mm) W x 15" (381 mm) H



Required Electrical Service

One dedicated circuit required, protected with Class A Ground-Fault Circuit-Interrupter (GFCI) or Residual Current Device (RCD).

Pump, Heated 120 V, 15 A, 60 Hz
Surface:

Technical Information

All product dimensions are nominal.

| | |
|------------------------------|------------------------------------------------------------------------|
| Installation: | Drop-in |
| Drain location: | End |
| Basin area, bottom: | 48" x 24" (1219 mm x 610 mm) |
| Basin area, top: | 59" x 30" (1499 mm x 762 mm) |
| Weight: | 116 lbs (52.6 kg) |
| Minimum floor load: | 48 lbs/ft ² (234.4 kg/m ²) |
| Water depth: | 14" (356 mm) |
| Water capacity: | 67 gal (253.6 L) |
| Cutout: | Drop-in, 64" x 34" (1626 mm x 864 mm) |
| Electrical component rating: | Pump: 120 V, 7.5 A, 60 Hz Heated Surface: 120 V, 1.1 A, 60 Hz, 65 W |
| Pump speed: | Single |

Notes

Measure your actual product for rough-in details.

Install this product according to the installation instructions.

The hot water supply should be 70% of the capacity of the bath or greater. Installations will vary.

Provide one grounded electrical outlet within 24" (610 mm) of each component.

If installing a rim-mount faucet, make sure there is no interference with drain overflow or whirlpool system before drilling any holes. Consult local and national codes for minimum air gap requirements if installing a spout on the faucet deck.