

## Features

- Frameless design highlights showering area.
- Innovative roller design simplifies installation and provides out-of-plumb adjustability.
- Frameless, 1/4" (6 mm) thick frosted tempered glass.
- Door tracking system features a hidden, cushioned, center guide for smooth, quiet sliding action.
- Smooth, easy-to-clean wall jambs.
- Gently curved towel bars inside and out complete the look of this door.
- CleanCoat® technology creates a barrier between the water and glass to help keep your shower door looking new.

## Material

- Anodized aluminum prevents rusting or corrosion.
- Tempered glass ensures maximum safety and durability.

## Installation

- Out-of-plumb adjustability allows for simpler installation.
- Can be installed to open to the left or right.

## Components

Additional included component/s: Hardware kit.



## Codes/Standards




CPSC 16CFR 1201  
ANSI Z97.1 (Tempered Glass)

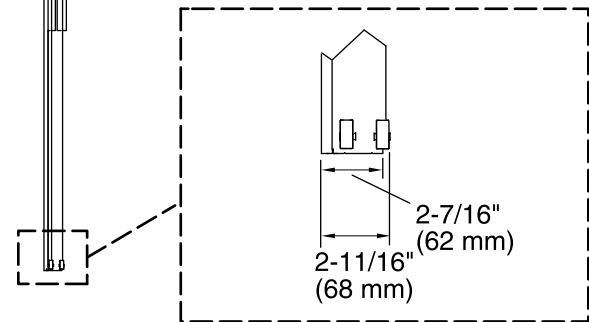
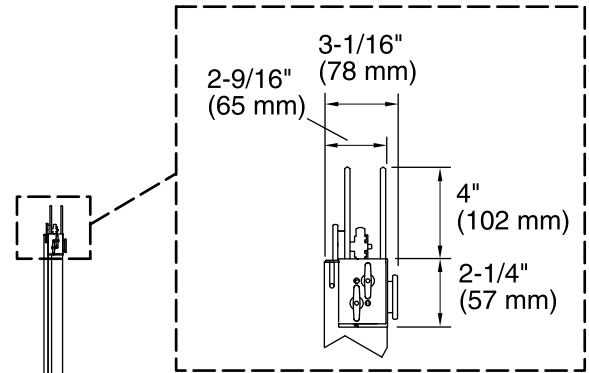
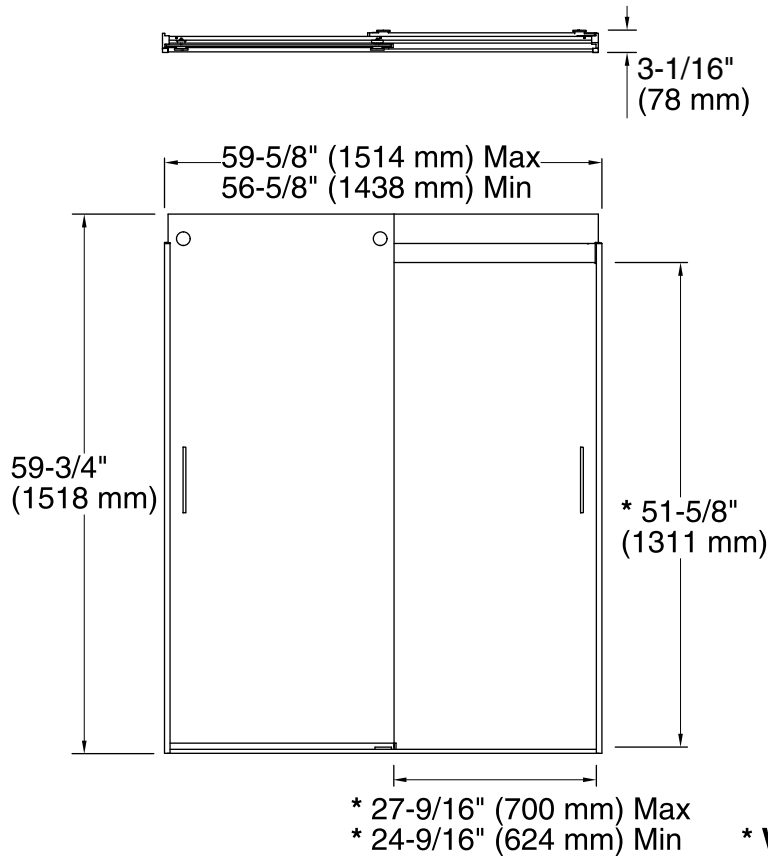
## KOHLER® One-Year Limited Warranty

See website for detailed warranty information.

## Available Color/Finishes

*Color tiles intended for reference only.*

| Color  | Code | Description             |
|--|------|-------------------------|
|  | SH   | Bright Silver           |
|  | MX   | Matte Nickel            |
|  | ABV  | Anodized Brushed Bronze |



**\* Walk-through**

**Technical Information**

All product dimensions are nominal.

- Installation type: For bath installation
- Opening style: Sliding/Bypass
- Opening Width - Min: 56-5/8" (1438 mm)
- Opening Width - Max: 59-5/8" (1514 mm)
- Walk-through - Min: 24-9/16" (624 mm)
- Walk-through - Max: 27-9/16" (700 mm)
- Glass thickness: 1/4" (6 mm)

**Notes**

- Install this product according to the installation guide.
- If replacing a shower door, the narrow wall jamb design of this door may not cover the existing shower door holes.