

# 2603TRIO – REMODELINE SECTIONALS

60 x 30 x 72 inches

MODEL #2603TRIO

SUPERCORE TUB-SHOWER #2603TRIOSC



## FEATURES

- 3-piece tub-shower
- Smooth wall
- Molded toiletry shelves
- Left or right hand drain
- AcrylX™ applied acrylic surface
- Lifetime limited warranty

## OPTIONS

- Grab bar reinforcement
- Factory installed assisted care grab bars
- Brass shower drain
- Shower Door Series L0516

## AQUATIC ADVANTAGE

- National distribution
- 6 manufacturing facilities
- Private fleet
- Centralized customer service
- Field support

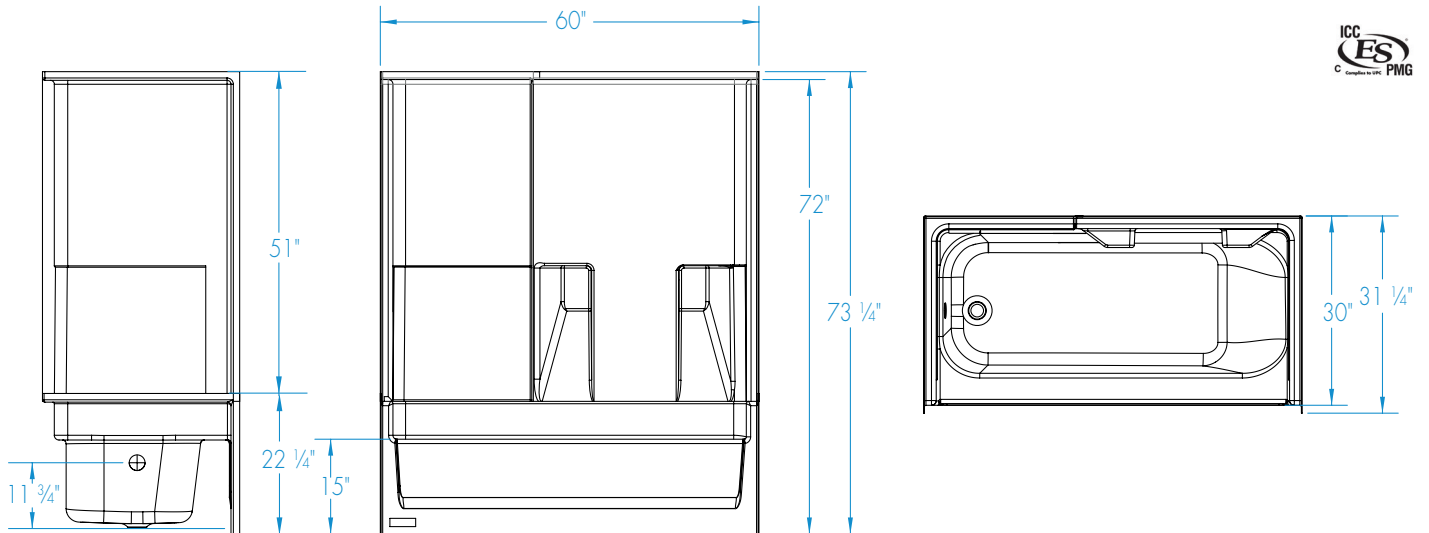
## COLOR OPTIONS

Stock	Upgraded	Premium
White	Almond Linen/Biscuit Bone	Black Mexican Sand Sand Bar Sterling Silver



# 2603TRIO

60 x 30 x 72  
inches



**FEATURES** lbs Dimensional Tolerance  $\pm \frac{3}{8}$ ". Dimensions needed for site preparation should be measured from the unit. Aquatic assumes no responsibility for preparatory work.

Model #	Material	Wall Finish	Pieces	Drain	Net Wt. lbs	Pkg. Wt. lbs
2603TRIO	AcrylX™	Smooth	3	LH or RH	138	143

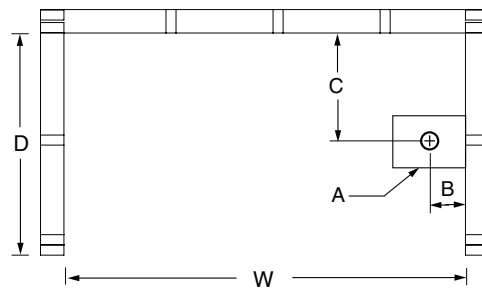
## DIMENSIONS

Specifications	inches
Width: Overall / Net	60
Depth: Overall / Net	31 1/4 / 30
Height: Overall / Net	73 1/4 / 72
Enclosure Opening	55 3/4
Skirt Height	15
Drain Rough-In (from Back Wall)	15
Drain Rough-In (from Side Wall)	2
Drain: Diameter / Clearance	2 / 1

## FRAMING DIMENSIONS

 inches

Type	D Depth	W Width	H Height	A	B	C
Alcove	31 1/4	60	-	Box Out	2	15



## SUMP DATA

Top of Drain to Bottom of Overflow	Capacity to Overflow gal	WIDTH @ centerline		DEPTH @ centerline	
		Top	Bottom	Top	Bottom
9 7/8	42	54 1/2	46	22	20 3/4