

GRIPRING™ PIPE RESTRAINER

FOR USE ON DUCTILE IRON, C-900, & IPS SIZE PVC¹



RESTRAINT SYSTEMS

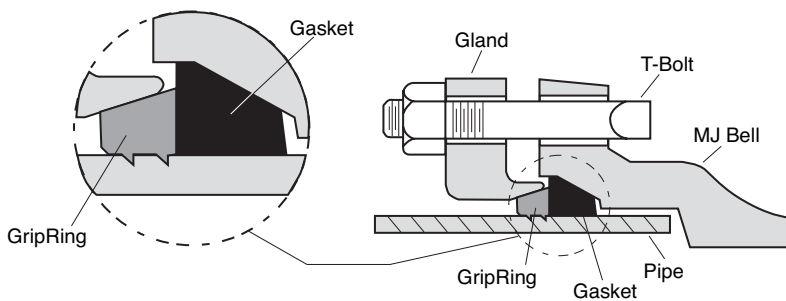


A ROMAC ORIGINAL GripRing™

U.S. PAT. NO. 5335946

The GripRing's articulating wedge action provides the restraint required for virtually any pressure.

- Full circumferential pipe restraint.**
 This spreads the restraining forces more evenly than restrainers using radial bolts or pads.
- Built-in stop to prevent damage to pipe.**
 The "gap" in each GripRing is designed to completely close before a pipe can be excessively stressed.
- The GripRing flexes to accommodate deflection allowed in a Mechanical Joint.**
 Restrains under the misalignment conditions often found in the field.
- The gland is painted yellow to avoid confusion.**
 Since the gland used with the GripRing restraint system is similar in looks to a standard MJ gland, it is painted yellow. The inspector can easily see that a restrainer has in fact, been used.
- Easy to install.**
 The GripRing™ uses standard mechanical joint gasket and T-bolts. There are no radial bolts or pads for the installer to forget to tighten. When the T-bolts on the gland are tightened, the GripRing restraint system is engaged.
- Rated to full working pressure of pipe.**
 GripRing pipe restrainers may be used at the full rated capacity of the pipe, including an allowance for pressure surges.



NSF61 certified upon request.

GRIPRING™ PIPE MATERIAL COMPATIBILITY CHART

PIPE MATERIAL	RING COLOR	WORKING PRESSURE	COMMENTS
² Ductile Iron - AWWA C151	Black	350	
Cast Iron - Obsolete Std.	Black	350	O.D. is same as DI, C151.
² PVC - D.I. Size, AWWA C900	Black	Rating of pipe	Class 235 & 305.
PVC - "Class Pipe", ASTM D2241	Red	Rating of pipe	4"-8" Class 160-200. 10" & 12" Class 200 only.
PVC - ASTM D1785	Red	Rating of pipe	4"-8" Class Sched. 40-80. 10" & 12" Sched. 80 only.
PVC Molecularly Oriented (C909)	-	-	GripRing is not for use on C909 pipe.

For pipe and classes not listed in the compatibility chart above, contact Romac Industries.

¹ Consult GripRing Pipe Material Compatibility Chart.

² UL Listed & FM Approved.



GRIPRING™ ACCESSORY PACK

RESTRAINT SYSTEMS

MATERIAL SPECIFICATIONS

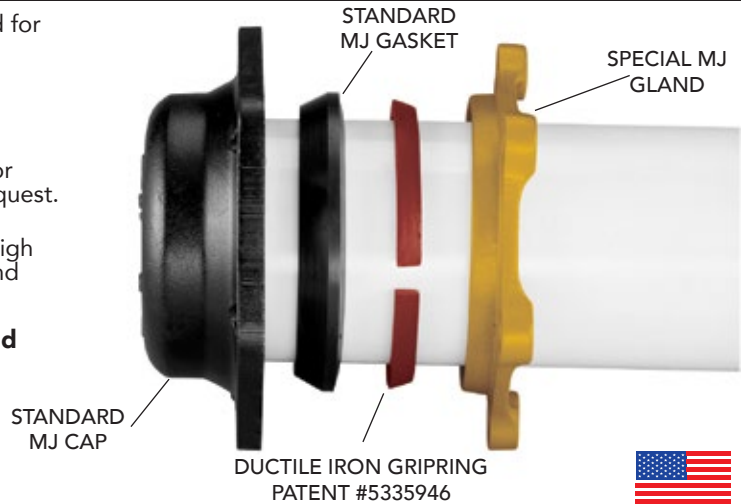
GRIPRING: Hardened ductile iron. GripRing is painted red for IPS, and black for D.I. and C-900.

GLAND: Ductile iron per ASTM A536, Grade 65-45-12. Gland is painted yellow.

GASKET: SBR per ASTM D2000 MBA 710, compounded for water and sewer service. Other compounds available on request.

T-BOLTS AND NUTS: 3/4" UNC T-bolts, heavy hex nuts, high strength, low alloy steel per AWWA C111. Stainless steel and R-Blue¹ available upon request.

Not for use on polyethylene pipe, steel pipe, plain end mechanical joint fittings, Molecularly Oriented Polyvinylchloride (PVC) AWWA C909-02. See pipe material compatibility chart for details.



NSF61 certified upon request.

**MEETS
AWWA C111**

DUCTILE IRON AND C-900

NOM. PIPE SIZE	ACCESSORY PACK (Gland, GripRing, Gasket, Bolts & Nuts)					NOM. PIPE SIZE	GLAND & GRIPRING ONLY		
	CATALOG NUMBER	BOLTS (Qty: Size)	WEIGHT (lbs.)	LIST PRICE			CATALOG NUMBER	WEIGHT (lbs.)	LIST PRICE
				STD. B&N	R-BLUE ¹ B&N				
4"	4" GRAP-DI	4: 3/4" x 3 1/2"	8#	\$119.28	\$142.21	4"	4" GR-DI	4#	\$80.02
6"	6" GRAP-DI	6: 3/4" x 4"	11#	138.68	167.62	6"	6" GR-DI	6#	91.64
8"	8" GRAP-DI	6: 3/4" x 4"	14#	197.69	226.64	8"	8" GR-DI	8#	140.29
10"	10" GRAP-DI	8: 3/4" x 4"	18#	283.22	321.81	10"	10" GR-DI	11#	210.99
12"	12" GRAP-DI	8: 3/4" x 4"	20#	386.93	431.55	12"	12" GR-DI	13#	306.04

PVC-IRON PIPE SIZE (IPS)

NOM. PIPE SIZE	ACCESSORY PACK (Gland, GripRing, Gasket, Bolts & Nuts)					NOM. PIPE SIZE	GLAND & GRIPRING ONLY		
	CATALOG NUMBER	BOLTS (Qty: Size)	WEIGHT (lbs.)	LIST PRICE			CATALOG NUMBER	WEIGHT (lbs.)	LIST PRICE
				STD. B&N	R-BLUE ¹ B&N				
4"	4" GRAP-IP	4: 3/4" x 3 1/2"	8#	\$136.36	\$159.29	4"	4" GR-IP	4#	\$97.42
6"	6" GRAP-IP	6: 3/4" x 4"	11#	165.52	194.47	6"	6" GR-IP	6#	118.43
8"	8" GRAP-IP	6: 3/4" x 4"	14#	232.22	261.17	8"	8" GR-IP	9#	174.81
10"	10" GRAP-IP	8: 3/4" x 4"	18#	403.15	441.74	10"	10" GR-IP	12#	330.82
12"	12" GRAP-IP	8: 3/4" x 4"	20#	427.61	466.27	12"	12" GR-IP	14#	347.55

¹ R-BLUE Bolts and Nuts, see page 10-3 for more information.

TO ORDER: Specify catalog number.