

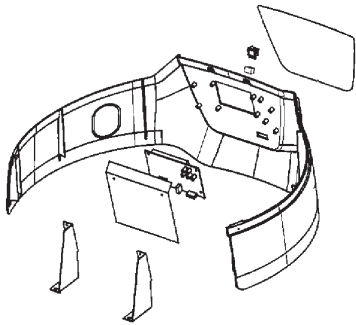


COMMERCIAL GAS SERVICE PARTS LIST

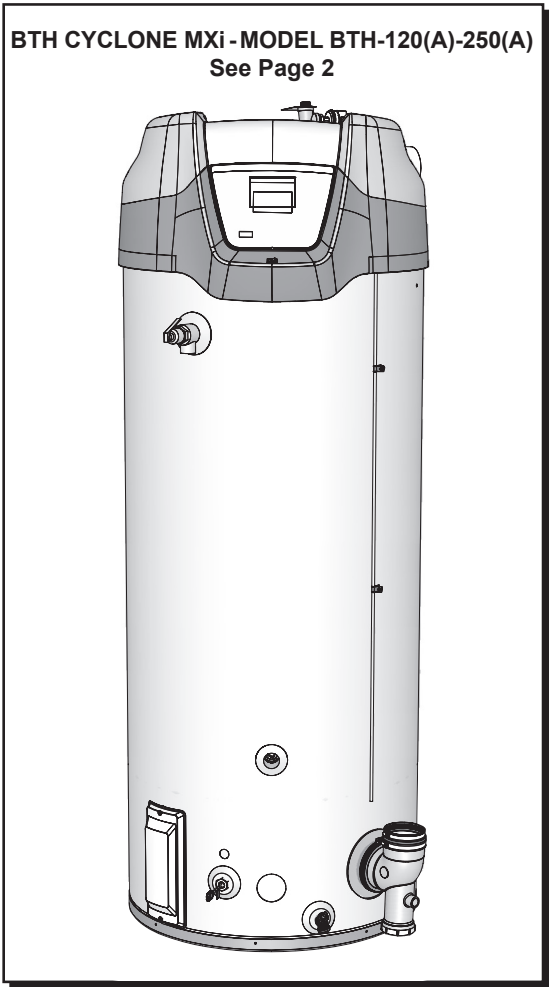
A.O. Smith Water Heater Parts Fulfillment
125 Southeast Parkway • Franklin, TN 37068
www.hotwater.com • 1-800-433-2545

MODELS:
BTH 120(A)
BTH 150(A)
BTH 199(A)
BTH 250(A)
Series:
200/201

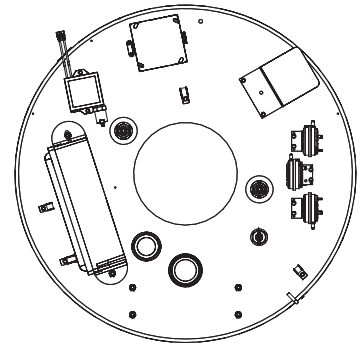
DISPLAY CONTROL ASSEMBLY
See Page 2



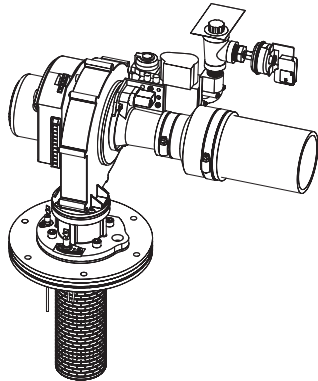
BTH CYCLONE MXi - MODEL BTH-120(A)-250(A)
See Page 2



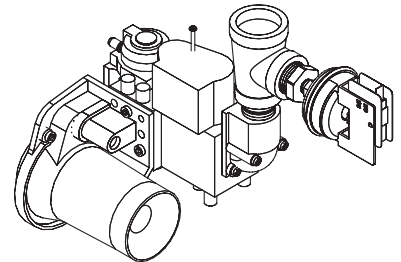
INNER COVER CONTROL ASSEMBLY
See Page 3



BLOWER/BURNER ASSEMBLY
See Page 4

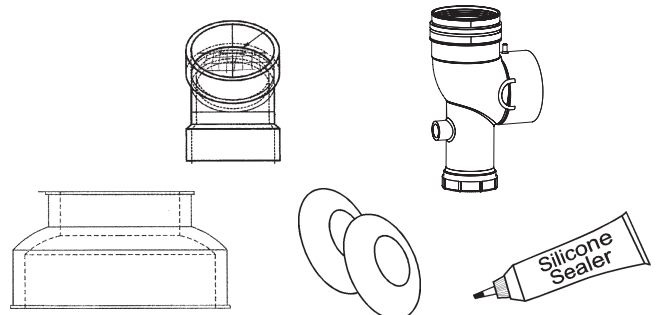
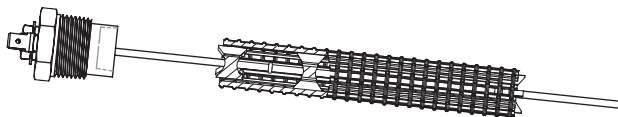


GAS VALVE(S)
See Page 4



EXHAUST ELBOW ASSEMBLY - VENT KIT ASSEMBLY
See Page 5 & 6

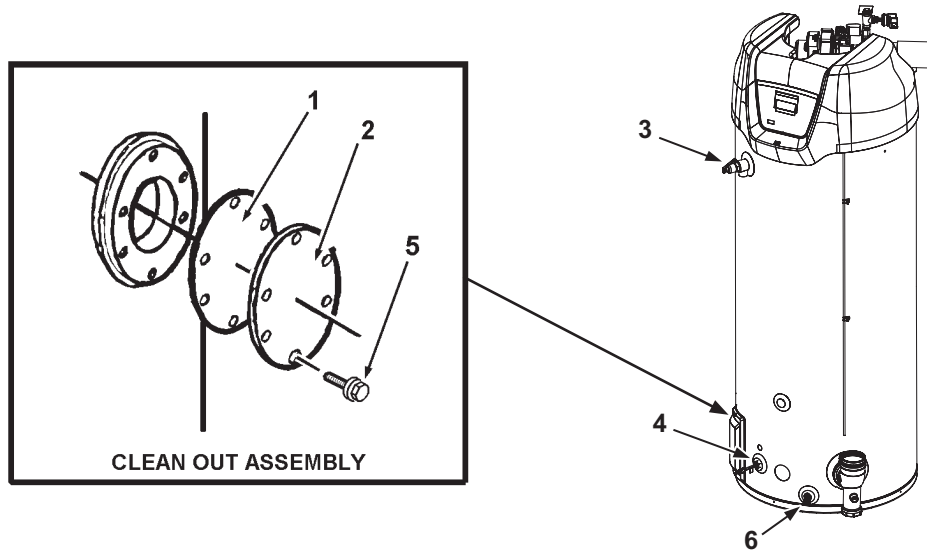
POWERED ANODE
See Page 3



CLEANOUT ASSEMBLY / TEMPERATURE & PRESSURE VALVE

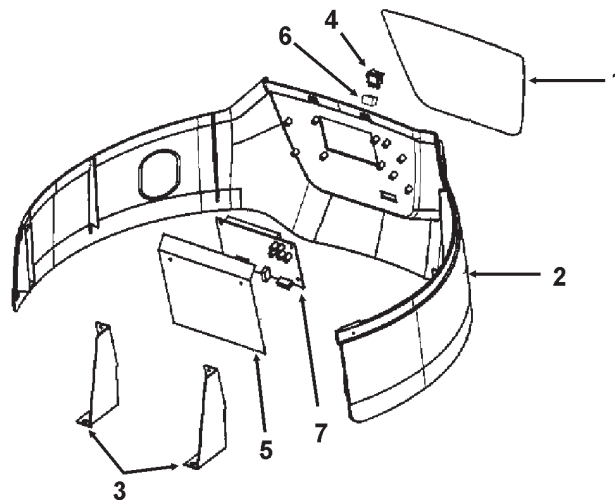
Item	Description	BTH 120(A)	BTH 150(A)	BTH 199(A)	BTH 250(A)
		200/201	200/201	200/201	200/201
1	Cleanout Gasket	9004099215	9004099215	9004099215	9004099215
2	Cleanout Plate	9005797205	9005797205	9005797205	9005797205
3	T & P Valve	9005899205	9005903205	9005903205	9005903205
4	Lower Temperature Probe	9006242015	9006242015	9006242015	9006242015
5	Thread Forming Screws	9004100215	9004100215	9004100215	9004100215
6	Drain Valve	9003906015	9003906015	9003906015	9003906015

Standard hardware items may be purchased locally.



DISPLAY CONTROL ASSEMBLY

Item	Description	BTH 120(A)	BTH 150(A)	BTH 199(A)	BTH 250(A)
		200/201	200/201	200/201	200/201
1	Display Overlay	9008901005	9008901005	9008901005	9008901005
2	Display Band	9006270005	9006270005	9006270005	9006270005
3	Display Band Mount	9006271015	9006271015	9006271015	9006271015
4	Enable/Disable Switch	193243-001	193243-001	193243-001	193243-001
5	Splatter Shield	197763-000	197763-000	197763-000	197763-000
6	Switch Wire Connection	328918-000	328918-000	328918-000	328918-000
7	User Interface Module - UIM	9008460005	9008460005	9008460005	9008460005



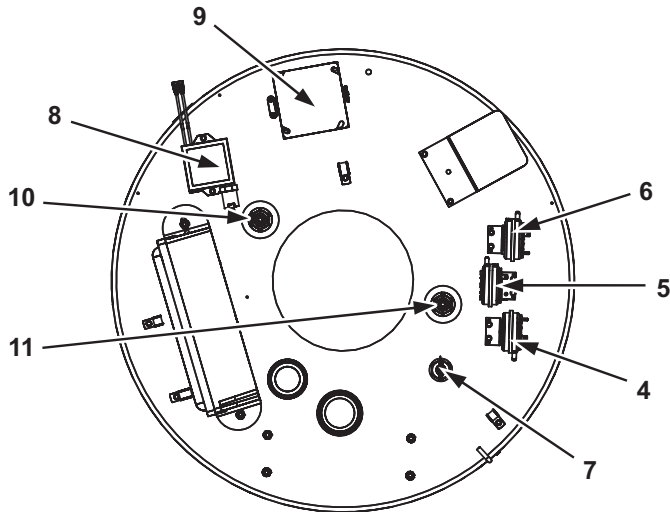
INNER COVER CONTROL ASSEMBLY - MODELS 120(A) & 150(A)

Item	Description	BTH 120(A) 200/201	BTH 150(A) 200/201
1.....	CCB Board-Programmed	9008907015.....	9008907015
2.....	Power Supply Board	9008872005.....	9008872005
3.....	Transformer	9008874005.....	9008874005
4.....	Switch-Blocked Outlet.....	9008905015.....	9008905015
5.....	Switch-Blocked Inlet	9008860015.....	9008860015
6.....	Switch-Blower Prover	9008861015.....	9008904015
7.....	Upper Temperature Probe.....	9008906015.....	9008906015
8.....	Ignition Transformer	9008875005.....	9008875005
9.....	Junction Box Assembly.....	325118-000	325118-000
10.....	Powered Anode-Short.....	N/A.....	9006247005
11.....	Powered Anode-Long	9006559005.....	9006246005

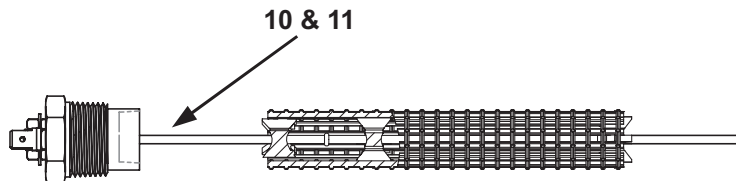
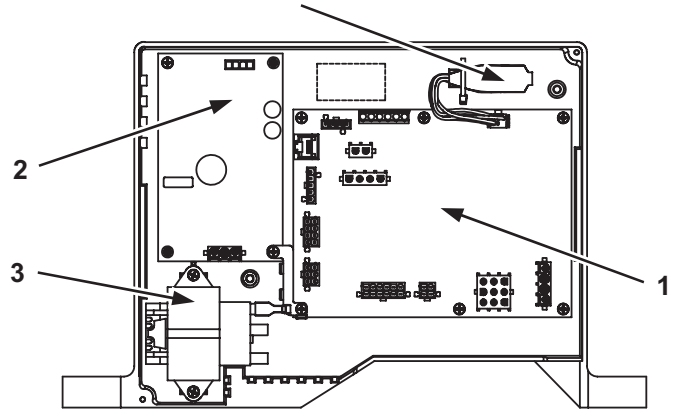
INNER COVER CONTROL ASSEMBLY - MODELS 199(A) & 250(A)

Item	Description	BTH 199(A) 200/201	BTH 250(A) 200/201
1.....	CCB Board-Programmed	9008907015	9008907015
2.....	Power Supply Board	9008872005	9008872005
3.....	Transformer	9008874005	9008874005
4.....	Switch-Blocked Outlet.....	9008905015	9008905015
5.....	Switch-Blocked Inlet	9008860015	9008860015
6.....	Switch-Blower Prover	9008904015	9008904015
7.....	Upper Temperature Probe.....	9008906015	9008906015
8.....	Ignition Transformer	9008875005	9008875005
9.....	Junction Box Assembly.....	325118-000.....	325118-000
10.....	Powered Anode-Short.....	9006247005.....	9006247005
11.....	Powered Anode-Long	9006246005.....	9006246005

Standard hardware items may be purchased locally.



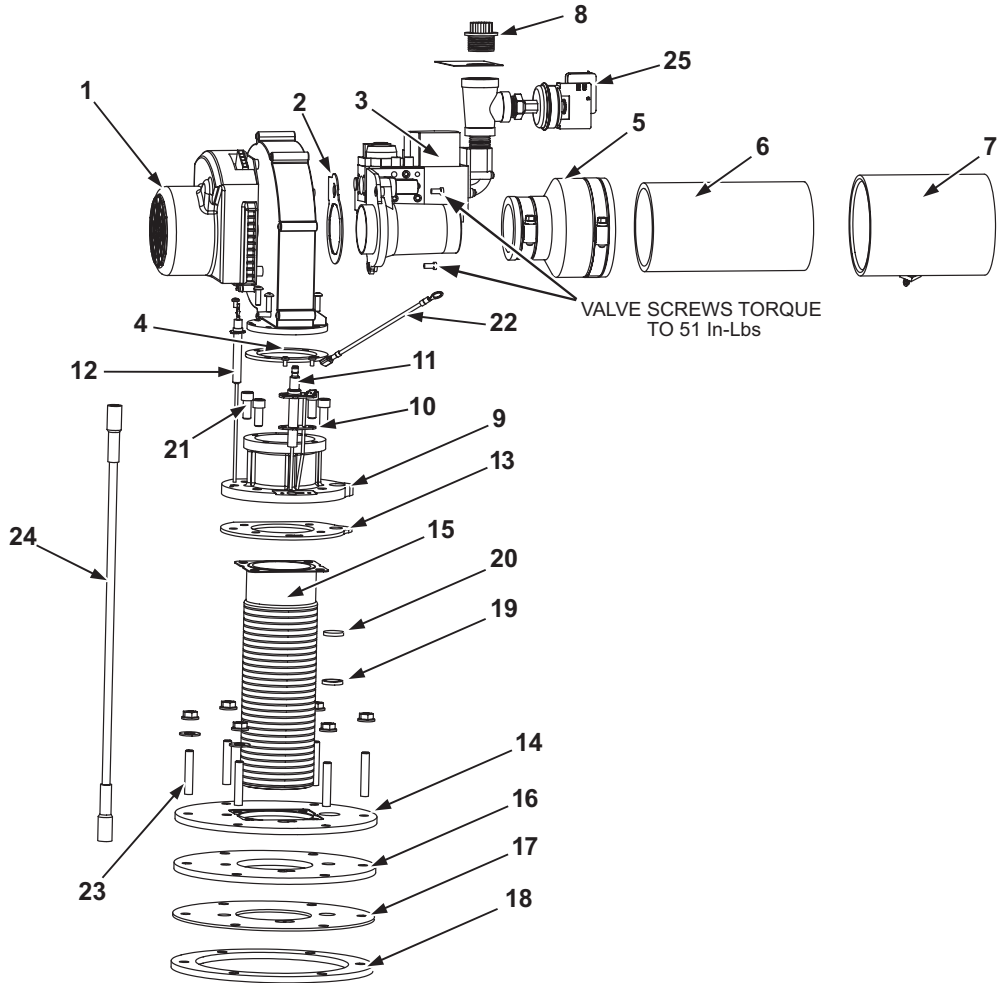
CONFIGURATION KEY



BLOWER / BURNER ASSEMBLY - MODELS 120(A) - 250(A)

Item	Description	BTH 120(A) 200	BTH 120(A) 201	BTH 150 -250(A) 200	BTH 150 -250(A) 201
1	Blower	9008863005	9008863005	9008910005	9008910005
2	Gasket - Cork/Venturie	**	**	**	**
3	Gas Valve / Venturie Assembly	9008918005	9008919005	9008920005	9008921005
4	Gasket	9007139005	9007139005	9007139005	9007139005
5	Connector - Intake	197604-000	197604-000	197604-000	197604-000
6	Intake Tube	194923-002	194923-002	194923-002	194923-002
7	Intake Terminal ASM	197624-000	197624-000	197624-000	197624-000
8	Cap Plug	182134-003	182134-002	182134-003	182134-002
9	Blower Adapter	320718-000	320718-000	320718-000	320718-000
10	Gasket - Spark Rod	321781-000	321781-000	321781-000	321781-000
11	Rod - Spark	9008867015	9008867015	9008867015	9008867015
12	Flame Rod	9008868015	9008868015	9008868015	9008868015
13	Gasket - Burner	9008913015	9008913015	9008913015	9008913015
14	Burner Plate	324306-000	324306-000	328331-000	328331-000
15	Burner Assembly	9008864005	9008864005	9008912005	9008912005
16	Gasket - Insulation	N/A	N/A	9008917015	9008917015
17	Shield - Heat	N/A	N/A	9008916015	9008916015
18	Gasket	9007138005	9007138005	9008915015	9008915015
19	Gasket - Viewport	9006103215	9006103215	9006103215	9006103215
20	Window - Observation	9006102215	9006102215	9006102215	9006102215
21	Screw - Socket Head Cap	192515-001	192515-001	192515-001	192515-001
22	Jumper - Spark Ground	328246-000	328246-000	328246-000	328246-000
23	Stud 5/16-18 x 1 3/4"	196881-000	196881-000	196881-000	196881-000
24	Cable - Ignition	***	***	***	***
25	Low Gas Pressure Switch	9007625005	9006255015	9007625005	9006255015

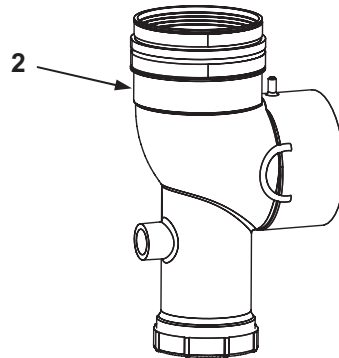
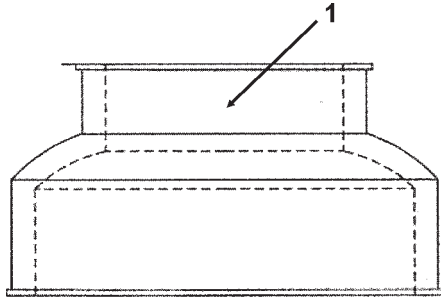
* Standard hardware items may be purchased locally.
 ** Supplied with Gas Valve/Venturi Assembly.
 *** Supplied with Spark Rod



EXHAUST CONNECTOR ASSEMBLY - MODELS 120(A) - 250(A)

BTH 120(A) - 250(A)
200 /201

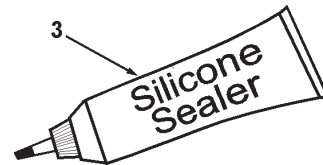
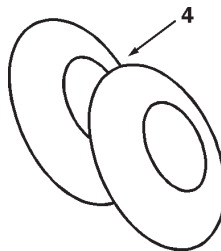
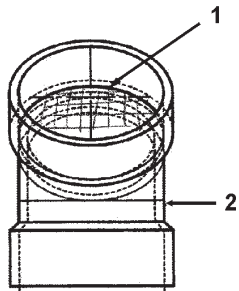
Item	Description	
1.....	Exhaust Connector	9006157205
2.....	Exhaust/Condensate Elbow Assembly	9008908005



VENT KIT ASSEMBLY - MODELS 120(A) - 250(A)

BTH 120(A) - 250(A)
200 /201

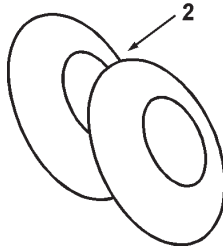
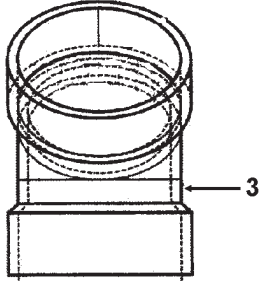
Item	Description	
1.....	Intake/Exhaust Screen	9006027015
2.....	PVC 45 Degree Elbow.....	181901-000
2.....	PVC 45 Degree Elbow (Canada).....	197868-000
3.....	Silicone	9004365105
4.....	Wall Plate.....	9004364105



OPTIONAL VENT KIT ASSEMBLY FOR 4" VENTING #9006205205 (U.S.)

BTH 120(A) thru 250(A)
200 / 201

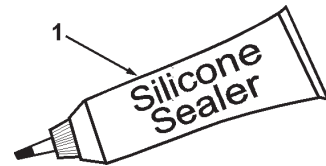
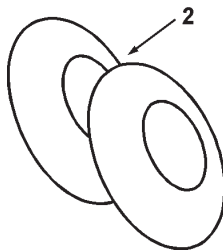
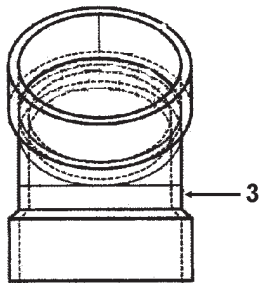
Item	Description
1 Silicone.....
2 Wall Plate
3 Vent Terminal Assembly 4".....



OPTIONAL VENT KIT ASSEMBLY FOR 4" VENTING #9006339005 (CANADA)

BTH 120(A) thru 250(A)
200 / 201

Item	Description
1 Silicone.....
2 Wall Plate
3 Vent Terminal Assembly 4".....



NOTES:

A large, empty rectangular box with a thin black border, intended for taking notes.



A.O. Smith Water Heater Parts Fulfillment
125 Southeast Parkway
Franklin, TN 37068
1-800-433-2545
www.hotwater.com