

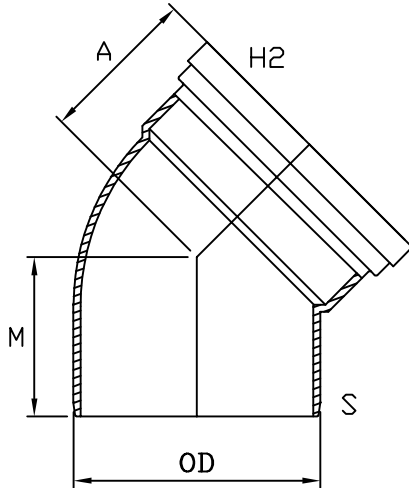


MULTI FITTINGS

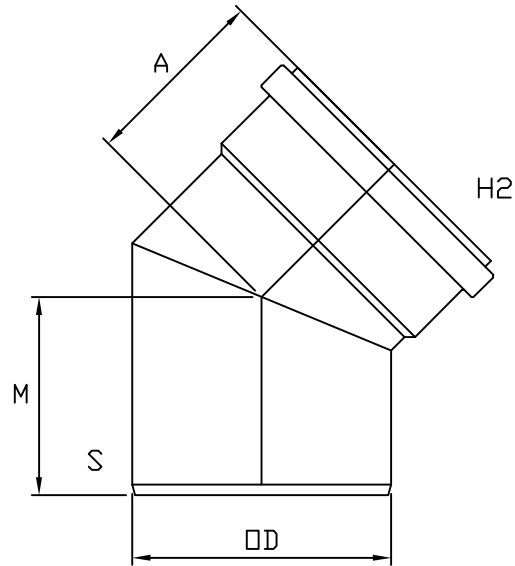
# LAYING LENGTH

ISSUE DATE: OCT 30/17  
SUPERCEDES: MAR 11/05

## 45° ELBOW (SxG) (1/8 BEND)



INJECTION MOLDED FITTING (M)



FABRICATED FITTING (F)

	SIZE SxH2	PART NUMBER	A REF	M REF	OD
<> M =	4x4	063404	3.625	3.625	4.215
% M =	4x4 EXT	063410	3.250	4.125	4.215
M =	6x6	063406	4.375	5.000	6.275
% M =	6x6 EXT	063428	5.625	6.375	6.275
M =	8x8	063407	5.375	6.000	8.400
M =	10x10	063411	6.250	7.375	10.500
M =	12x12	043412	7.250	8.875	12.500
M =	15x15	143951	8.250	11.000	15.300
F @	18x18	043203	21.500	21.500	18.701
F @	21x21	043946	22.000	22.000	22.047
F @	24x24	043943	23.000	23.000	24.803
F @	27x27	043950	-	-	-

Note: = Refer to Page G4 for Hub Detail, Type A  
 @ Refer to Page G5 for Hub Detail, Fabricated  
 <> Deep Hub - Page G4 - Type A  
 % Long Hub - Page G4 - Type A