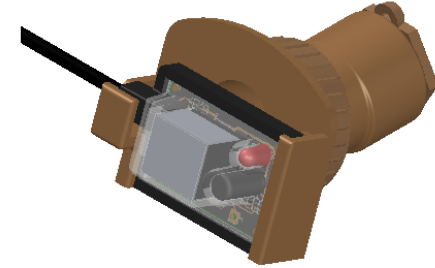
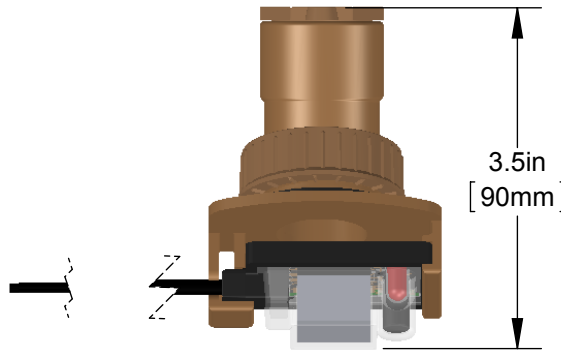
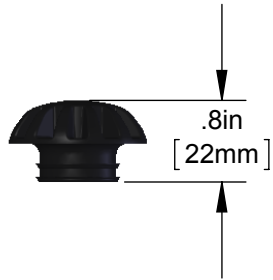


### VIBRATION ISOLATORS

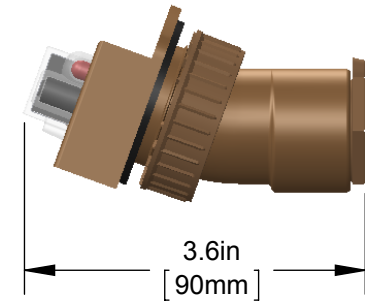
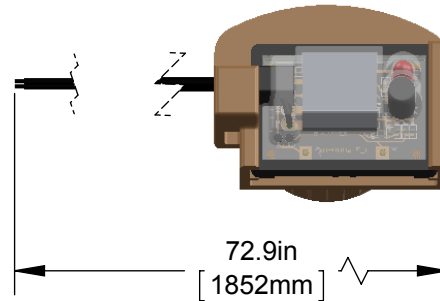
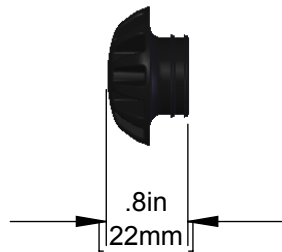
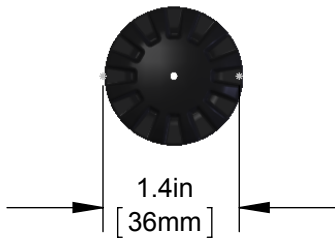
### AG- 4200

C



C

B



B

ENGINEERING	NAME	DATE
DRAWN BY ENG.	DS	1/12/12
CHECKED BY ENG.	JK	1/12/12
ENG APPR.	CC	1/12/12
MFG APPR.	CC	1/12/12

**RESOURCE**  
 CONSERVATION TECHNOLOGIES  
 64208 PARKLAND DRIVE SUITE 102  
 SARASOTA, FL 34243 888-708-6622

A

TITLE:  
**AG-4200 SPECIFICATION SHEET**

SIZE <b>A</b>	SCALE: 1:2	SHEET 1 OF 1
------------------	------------	--------------

**NOTES:**  
 Water sensor for Goliath and Spartan Series Pans.  
 Included-Drain Port Assembly & 14 Vibration Isolators.

UNLESS OTHERWISE SPECIFIED:

**PROPRIETARY AND CONFIDENTIAL**

DIMENSIONS ARE IN INCHES  
 TOLERANCES:  
 FRACTIONAL ±.032  
 ANGULAR: MACH ± .5° BEND ±2°  
 TWO PLACE DECIMAL ± .010  
 THREE PLACE DECIMAL ± .005

THE INFORMATION CONTAINED IN THIS DRAWING IS THE SOLE PROPERTY OF RESOURCE CONSERVATION TECHNOLOGIES, INC. ANY REPRODUCTION IN PART OR AS A WHOLE WITHOUT THE WRITTEN PERMISSION OF RESOURCE CONSERVATION TECHNOLOGIES IS PROHIBITED.

INTERPRET GEOMETRIC TOLERANCING PER: ANSI Y14.5, 1994