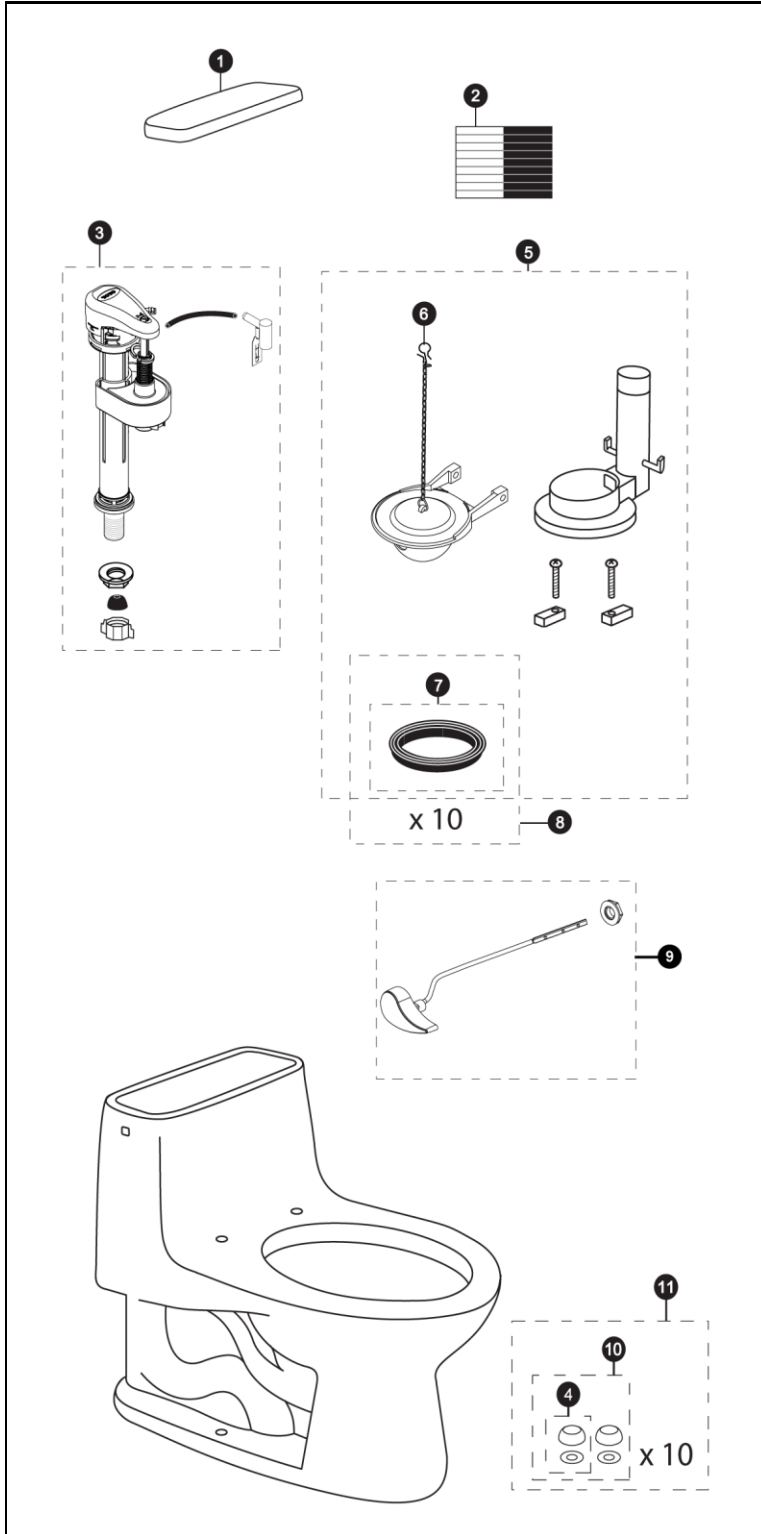


MS854114E(G) & MS854114EL(G)

MS854114E(G)
CST854E(G)

MS854114EL(G)
CST854EL(G)

Eco Ultramax® 1.28 Gpf Toilet, Elongated, E-Max®, 12" Rough-In (including ADA)



Item	Part	Description
1	TCU854CRE#01	Tank Lid w/ Velcro Tape
	TCU854CRE#03	Tank Lid w/ Velcro Tape
	TCU854CRE#11	Tank Lid w/ Velcro Tape
	TCU854CRE#12	Tank Lid w/ Velcro Tape
	TCU854CRE#51	Tank Lid w/ Velcro Tape
2	THU107	Velcro Tape
3	TSU51A	Fill Valve
4	THU044#01	Bolt Cap
	THU044#03	Bolt Cap
	THU044#11	Bolt Cap
	THU044#12	Bolt Cap
	THU044#51	Bolt Cap
5	THU251P	Flush Valve Assembly w/ Flapper
6	THU499S	Flapper w/ Chain
7	9BU002E	Flush Valve Gasket
8	THU097	Flush Valve Gasket (10 pieces)
9	THU004#01	Trip Lever
	THU004#03	Trip Lever
	THU004#11	Trip Lever
	THU004#12	Trip Lever
	THU004#51	Trip Lever
	THU004#CP	Trip Lever - Chrome Plated
10	THU044S#01	Bolt Cap Set (2 pieces)
	THU044S#03	Bolt Cap Set (2 pieces)
	THU044S#11	Bolt Cap Set (2 pieces)
	THU044S#12	Bolt Cap Set (2 pieces)
	THU044S#51	Bolt Cap Set 2 pieces)
11	THU098#01	Bolt Cap & Base (20 pieces)
	THU098#03	Bolt Cap & Base (20 pieces)
	THU098#11	Bolt Cap & Base (20 pieces)
	THU098#12	Bolt Cap & Base (20 pieces)
	THU098#51	Bolt Cap & Base (20 pieces)

Note:

Product Number Explanations

One-Piece Toilet

(MS) Toilet & Seat Combination
(CST) Gravity Type Toilet
(854) Toilet Model
(114) Seat Model
(E) E-Max®
(L) ADA Compliant
(G) CeFIONtect™

Colors

(#01) Cotton
(#03) Bone
(#11) Colonial White
(#12) Sedona Beige
(#51) Ebony

Actual Product may vary slightly from illustration.