

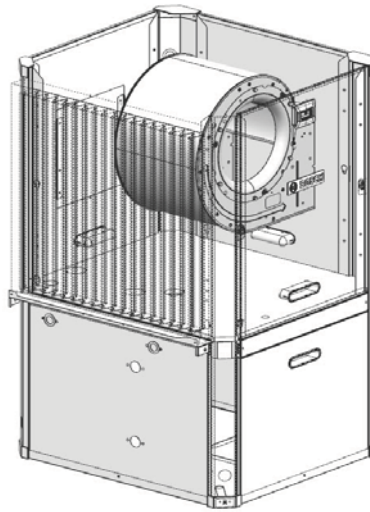
# GreenSource™ SM series Residential Geothermal Heat Pumps

Engineering  
Submittal  
Sheet



# BOSCH

## Overview and Certifications



Made in  
the U.S.A.



## Standard Features, Factory Installed Options, and Field Installed Accessories

### Standard Features

- ▶ **White Pre-Painted Sheet Metal Cabinets**
  - No visible screws
  - Appliance White for a Clean - Durable Look
  - Door Handles - for Easy Removal for Service
  - LCD Display - for Easy View of Unit Operation
- ▶ **High Efficiency**
  - Up to 32.0 EER @ PL GLHP
  - Up to 22.0 EER @ FL GLHP
  - Compliant with Energy Start Tier 3
  - Constant Torque High Efficiency Blower Motor
- ▶ **Field Configurable**
  - Supply Air Connection - Top, Side, and Back
  - Return Air Connection - Right or Left Side
  - Electrical Control Box Relocation
  - Patent: Blower Configurability
- ▶ **Closed Cell (Fiber Free) Insulation**
  - Less than 2% Air Leakage Rate
  - Improved Indoor Air Quality
  - Sound Ratings as Low as 52 DBA
  - Patent: Floating Base Pan
- ▶ **Reliability - Durability - Serviceability**
  - Tin Plated Coil
  - Alert Communicating Circuit Board
  - Completely Serviceable from Front of Unit
- ▶ **Standard Warranty**
  - 10 Year All Parts Limited Warranty
  - 10 Year Labor Limited Warranty

Standard Features, Factory Installed Options, and Field Installed Accessories continued..

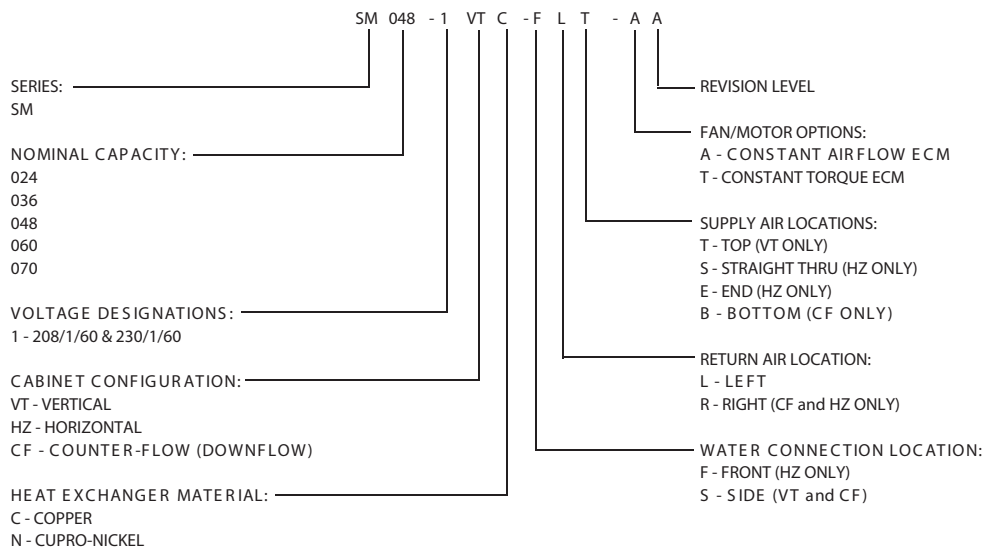
**Factory Installed Options**

- ▶ **Cupro-nickel Coil:**
  - Recommended in conditions anticipating moderate scale formation or in brackish water.
- ▶ **Internal Electric Heat:**
  - Can be factory mounted or field installed. Choices include 5, 10, 15, or 20 kilowatt back up or an emergency heater depending on the size of the geothermal heat pump.
- ▶ **Domestic Hot Water Heat Recovery Package:**
  - Used to heat domestic hot water using the wasted heat from the hot compressed gas of the compressor.
- ▶ **Variable Speed Constant CFM High Efficiency Motor:**
  - This motor delivers precise CFM required for efficiency. The speed of the motor will vary to maintain a constant CFM for comfort and efficiency. Additional cool-to-dehumidify feature controls the level of humidity in your home.
- ▶ **Dehumidification:**
  - Lower the humidity in your home allowing you to turn up the thermostat in the summer.

**Field Installed Accessories**

- ▶ **Thermostats:**
  - Bosch thermostats are fully customized to meet your individual needs.
- ▶ **Photo-Catalytic Oxidizers (PCO):**
  - Refreshes and cleans the air in your home by converting Volatile Organic Compounds and other gases into harmless water vapor and CO2.
- ▶ **Humidifiers:**
  - Bosch humidifiers release moisture into the air while helping to seal windows and doors tightly.
- ▶ **Smoke Detection:**
  - In case of a fire, prevents smoke from spreading from room to room.
- ▶ **Fresh Air Dampers:**
  - Helps to prevent home from going into a negative pressure situation.
- ▶ **Carbon and Potassium- Permanganate Filters:**
  - Helps to remove gases, odors, and other volatile organic compounds by trapping them in mesh.
- ▶ **Heat Pump Water Heaters:**
  - Upgrade to a high efficiency heat pump water heater.

**Model Nomenclature**



# Greensource™ SM Series

## Residential Geothermal Heat Pumps



Physical Data						
Description	Unit	Value				
		SM024	SM036	SM048	SM060	SM070
Compressor Type (Qty 1)	—	Scroll	Scroll	Scroll	Scroll	Scroll
Refrigeration Charge	oz.	58	98	88	110	114
Max Water Working Pressure	PSIG/kPa	450/3100	450/3100	450/3100	450/3100	450/3100
<b>Constant Torque High Efficiency Motor - Standard</b>						
Fan Motor Type/Speeds	—	Const Torque Motor / 5 speed	Const Torque Motor / 5 speed	Const Torque Motor / 5 speed	Const Torque Motor / 5 speed	Const Torque Motor / 5 speed
Fan Motor	HP	0.33	0.75	0.75	1.00	1.00
Blower Wheel Size	Inch (Dia. x W)	10 X 8	11 X 9	11 X 9	11 X 11	11 X 11
<b>Variable Speed Constant CFM High Efficiency Motor</b>						
Fan Motor Type/Speeds	—	Variable Speed Const CFM	Variable Speed Const CFM	Variable Speed Const CFM	Variable Speed Const CFM	Variable Speed Const CFM
Fan Motor	HP	0.33	0.75	0.75	1.00	1.00
Blower Wheel Size	Inch (Dia. x W)	10 X 8	11 X 9	11 X 9	11 X 11	11 X 11
<b>Water Connection Size</b>						
FPT	Inch	¾	1.0	1.0	1.0	1.0
Coaxial Coil Volume	Gal	0.33	1.18	0.62	1.07	1.12
Condensate Connection	Inch FPT	¾	¾	¾	¾	¾
<b>Vertical Cabinet</b>						
Air Coil Dimensions (H x W)	Inch (H x W)	24 X 20	32 X 26	32 X 26	38 X 26	38 X 26
Nominal size of Standard Filter - 2" MERV11	Inch (L x H)	24 X 24 (1)	16 X 30 (2)	16 X 30 (2)	20 X 30 (2)	20 X 30 (2)
Weight - Operating	lbs	250	360	340	410	440
Weight - Shipping	lbs	350	475	450	530	560
<b>Horizontal Cabinet</b>						
Air Coil Dimensions	Inch (H x W)	18 X 31.5	20 X 42	20 X 42	20 X 49	20 X 49
Nominal size of Standard Filter - 2" MERV11	Inch (L x H)	18 X 18 (2)	20 X 24 (2)	20 X 24 (2)	18 X 20 (3)	18 X 20 (3)
Weight - Operating (lbs)	lbs	260	375	355	430	460
Weight - Shipping (lbs)	lbs	360	495	470	550	580

# Greensource<sup>™</sup> SM Series

## Residential Geothermal Heat Pumps



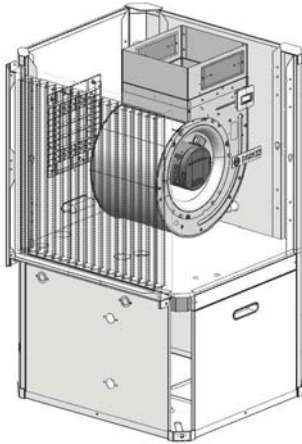
Full Load - ASHRAE/AHRI/ISO 13256-1. English (I-P) Units												
Models	Water Loop Heat Pump				Ground Water Heat Pump				Ground Loop Heat Pump			
	Cooling 86 deg.F		Heating 68 deg.F		Cooling 59 deg.F		Heating 50 deg.F		Cooling 77 deg.F		Heating 32 deg.F	
	Capacity Btuh	EER Btuh/W	Capacity Btuh	COP	Capacity Btuh	EER Btuh/W	Capacity Btuh	COP	Capacity Btuh	EER Btuh/W	Capacity Btuh	COP
SM024	25500	17.4	29200	5.6	29000	26.5	23500	4.9	26600	19.9	18000	4.1
SM036	39000	19.0	42800	5.6	43300	28.0	35900	5.1	40800	22.0	28400	4.3
SM048	49200	16.6	56100	5.3	55300	25.3	46300	4.7	51300	19.3	36900	4.0
SM060	63800	17.0	73300	5.2	70200	24.4	60300	4.6	65100	18.9	48000	3.9
SM070	71600	16.3	84000	5.1	78700	23.1	70000	4.5	73700	18.5	55300	3.8

Part Load - ASHRAE/AHRI/ISO 13256-1. English (I-P) Units												
Models	Water Loop Heat Pump				Ground Water Heat Pump				Ground Loop Heat Pump			
	Cooling 86 deg.F		Heating 68 deg.F		Cooling 59 deg.F		Heating 50 deg.F		Cooling 68 deg.F		Heating 41 deg.F	
	Capacity Btuh	EER Btuh/W	Capacity Btuh	COP	Capacity Btuh	EER Btuh/W	Capacity Btuh	COP	Capacity Btuh	EER Btuh/W	Capacity Btuh	COP
SM024	18500	18.9	21200	6.5	21700	33.6	16700	5.1	21000	28.1	14400	4.4
SM036	29000	22.2	31000	6.5	32600	37.0	25200	5.2	31900	32.0	22400	4.7
SM048	36700	18.9	40900	6.2	42000	33.8	33700	5.2	39900	27.8	29800	4.5
SM060	47500	18.7	53600	5.8	53300	31.2	44300	4.8	51600	26.5	39800	4.4
SM070	55200	17.8	64900	5.7	60800	28.5	52900	4.8	60300	25.4	46900	4.3

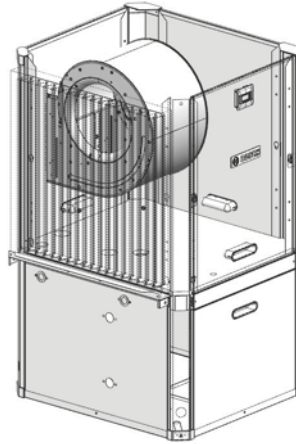
Electrical Data												
Models	Voltage Code	Rated Voltage	Voltage Min/Max	Compressor			Total Unit ECM Const Torque motor (Standard)			Total Unit ECM Const Air Flow motor (Option)		
				QTY	RLA	LRA	FLA	Min Circuit Amps	Max Fuse/HACR	FLA	Min Circuit Amps	Max Fuse/HACR
SM024	1	208-230/60/1	197/253	1	11.7	58.3	2.8	17.4	25	2.8	17.4	25
SM036	1	208-230/60/1	197/253	1	15.3	83.0	6.0	25.1	40	6.8	25.9	40
SM048	1	208-230/60/1	197/253	1	21.2	104.0	6.0	32.4	50	6.8	33.2	50
SM060	1	208-230/60/1	197/253	1	27.1	152.9	7.6	41.5	60	9.1	43.0	70
SM070	1	208-230/60/1	197/253	1	29.7	179.2	7.6	44.7	70	9.1	46.2	70

Bosch Thermotechnology Corporation  
Londonderry, NH • Ft. Lauderdale, FL

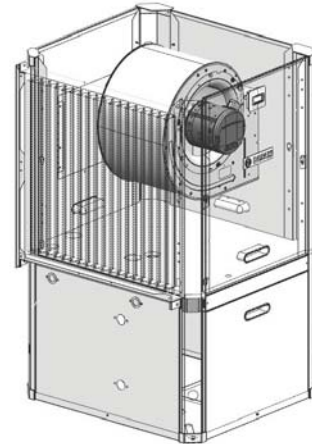
**Unit Supply Air Configurations**



**Top Discharge (Default)**

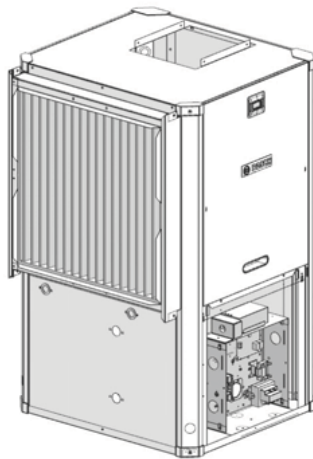


**Back Discharge**

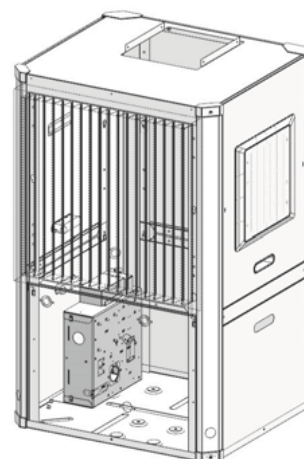


**Side Discharge**

**Unit Return Air Configurations**



**Left Air Return**



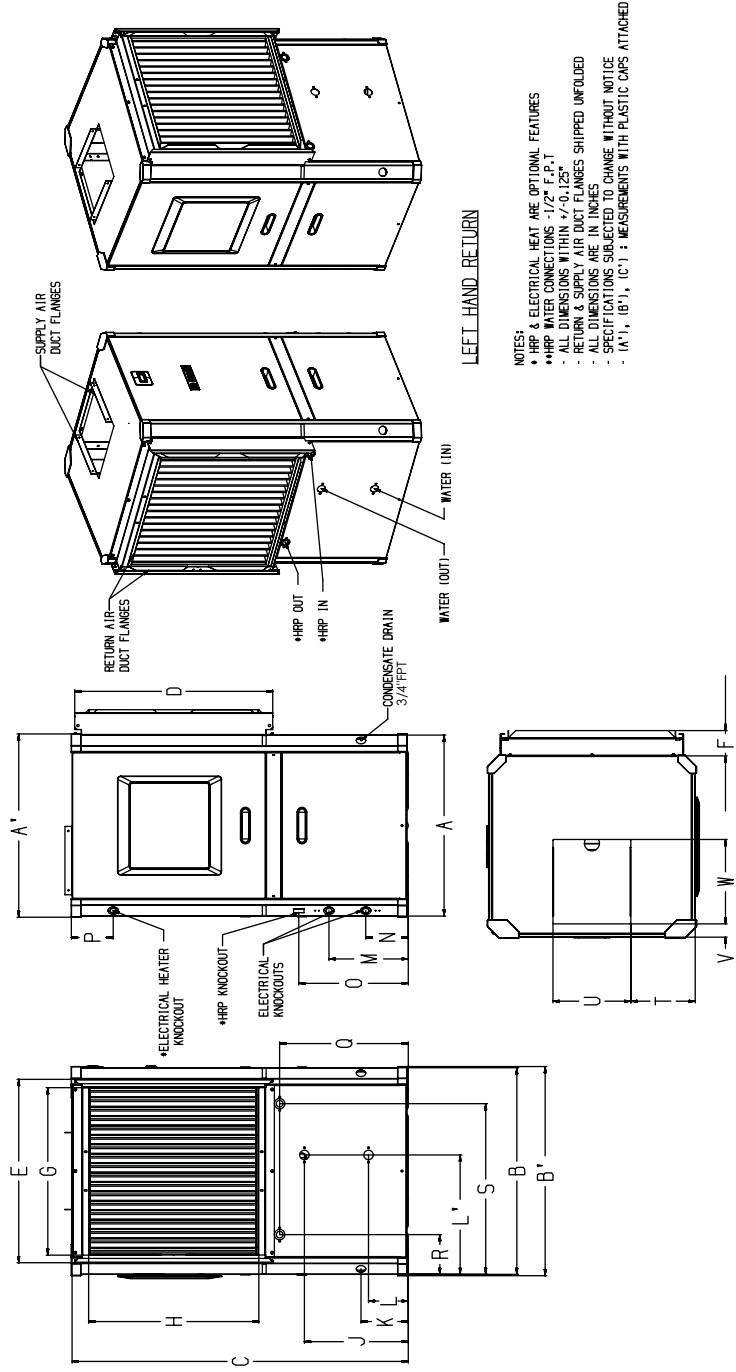
**Right Air Return**



**Electrical Box can be relocated inside unit.**

**SM-VT Dimensions and Connections**

Model	A (A')		B (B')		C (C')		D	E		F	G	H	J	K	L	L'	M	N	O	P	R	S	T	U	V	W	WATER CONNECTIONS	FILTER SIZE
	WIDTH	DEPTH	HEIGHT	HEIGHT	WIDTH	DEPTH		RETURN AIR DUCT WIDTH	RETURN AIR DUCT HEIGHT																			
SM024-VT	24.0 (24.3)	27.4 (27.7)	44.6 (44.7)	26.3	24.3	3.3	22.2	22.5	13.8	6.3	5.3	19.3	10.5	5.6	14.5	5.6	16.5	4.9	18.2	8.7	10.0	1.9	10.8	3/4" F.P.T	24x24x2(1)			
SM036-VT	25.8 (26.1)	33.4 (33.7)	52.6 (52.7)	34.3	30.4	3.3	28.2	30.5	11.3	6.3	5.3	19.3	10.5	5.6	14.5	5.6	16.9	5.6	28.5	10.8	11.7	1.9	13.0	F.P.T	16x30x2(2)			
SM048-VT	25.8 (26.1)	33.4 (33.7)	52.6 (52.7)	34.3	30.4	3.3	28.2	30.5	11.3	6.3	5.3	19.3	10.5	5.6	14.5	5.6	16.9	5.6	28.5	10.8	11.7	1.9	13.0	F.P.T	16x30x2(2)			
SM060-VT	27.0 (27.3)	33.4 (33.7)	62.0 (62.1)	42.3	30.3	3.3	28.3	38.6	12.0	6.3	5.9	17.0	10.5	5.6	14.5	5.6	18.3	4.7	27.8	9.6	14.2	1.9	13.0	F.P.T	20x30x2(2)			
SM070-VT	27.0 (27.3)	33.4 (33.7)	62.0 (62.1)	42.3	30.3	3.3	28.3	38.6	12.0	6.3	5.9	17.0	10.5	5.6	14.5	5.6	18.3	4.7	27.8	9.6	14.2	1.9	13.0	F.P.T	20x30x2(2)			

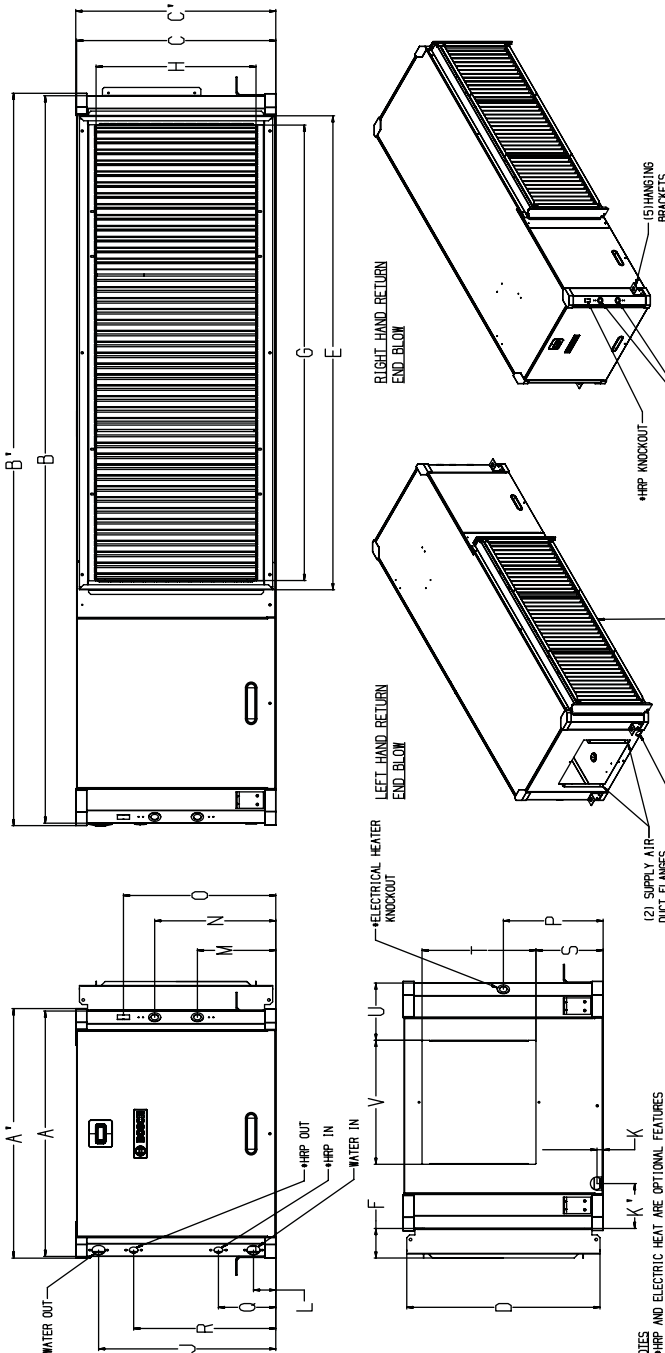


**NOTES:**

- HRP & ELECTRICAL HEAT ARE OPTIONAL FEATURES
- HRP WATER CONNECTIONS - 1/2" F.P.T
- ALL DIMENSIONS WITHIN +/-0.125"
- RETURN & SUPPLY AIR DUCT FLANGES SHIPPED UNPOLED
- ALL DIMENSIONS ARE IN INCHES
- SPECIFICATIONS SUBJECT TO CHANGE WITHOUT NOTICE
- (A1), (B1), (C1) : MEASUREMENTS WITH PLASTIC CAPS ATTACHED

**SM-HZ End Blow Dimensions and Connections**

Model	A (A')	B (B')	C (C')	D	E	F	G	H	J	K	L	M	N	O	P	R	S	T	U	V	WATER CONNECTIONS	FILTER SIZE							
																							HEIGHT	HEIGHT	HEIGHT	HEIGHT	HEIGHT	HEIGHT	HEIGHT
SM024-HZ	25.1	125.5	184.1	164.5	19.7	119.82	19.5	36.1	3.4	34.0	16.2	17.2	0.7	15.1	2.5	7.4	12.3	15.9	9.9	6.5	13.2	6.5	2.0	10.0	7.5	7.5	10.8	3/4" F.P.T.	18X18X2 (2)
SM036-HZ	28.0	128.4	176.4	176.4	22.7	122.82	22.1	48.1	3.4	46.0	18.2	20.2	0.7	15.1	2.5	8.9	13.8	17.4	11.4	6.5	16.2	7.5	2.0	11.7	9.0	7.7	13.0	1" F.P.T.	20X24X2 (2)
SM048-HZ	28.0	128.4	176.4	176.4	22.7	122.82	22.1	48.1	3.4	46.0	18.2	20.2	0.7	15.1	2.5	8.9	13.8	17.4	11.4	6.5	16.2	7.5	2.0	11.7	9.0	7.7	13.0	1" F.P.T.	20X24X2 (2)
SM060-HZ	28.0	128.4	183.0	183.0	22.7	122.82	22.1	54.1	3.4	52.0	18.3	20.2	0.7	15.1	2.5	8.9	13.8	17.4	11.4	6.5	16.2	7.5	2.0	14.2	6.5	6.5	13.0	1" F.P.T.	18X20X2 (3)
SM070-HZ	28.0	128.4	183.0	183.0	22.7	122.82	22.1	54.1	3.4	52.0	18.3	20.2	0.7	15.1	2.5	8.9	13.8	17.4	11.4	6.5	16.2	7.5	2.0	14.2	6.5	6.5	13.0	1" F.P.T.	18X20X2 (3)



**SUPPLY AIR CONFIGURATION: END BLOW**

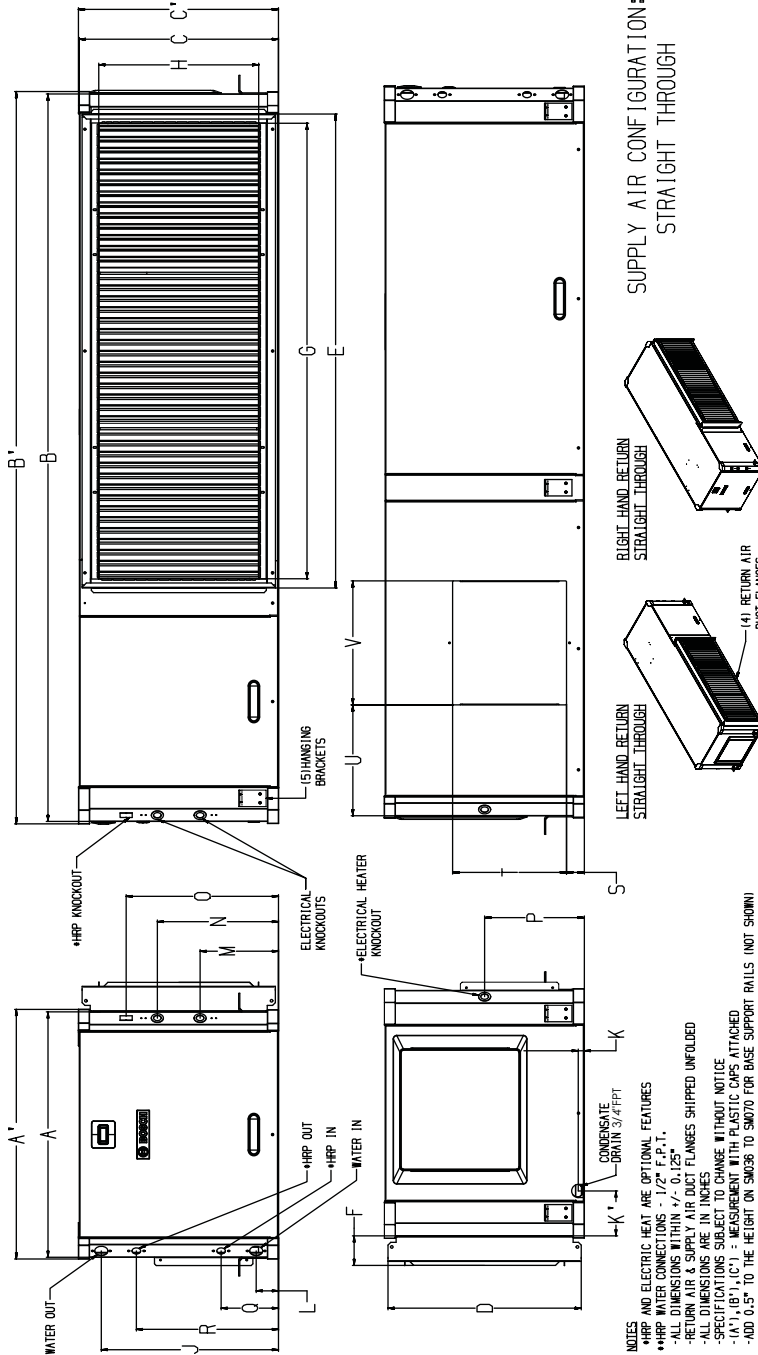
- NOTES**
- HHP AND ELECTRIC HEAT ARE OPTIONAL FEATURES
  - HHP WATER CONNECTIONS - 1/2" F.P.T.
  - ALL DIMENSIONS WITHIN +/- 0.125"
  - RETURN AIR & SUPPLY AIR DUCT FLANGES SHIPPED UNFOLDED
  - ALL DIMENSIONS ARE IN INCHES
  - SPECIFICATIONS SUBJECT TO CHANGE WITHOUT NOTICE
  - UNIT IS SUPPLIED WITH PLASTIC CASE
  - ADD 0.5" TO THE HEIGHT ON SM060 TO SM070 FOR BASE SUPPORT BALLS (NOT SHOWN)
  - UNITS CAN BE FIELD CONVERTED BETWEEN END BLOW AND STRAIGHT THROUGH SUPPLY AIR CONFIGURATIONS

# Greensource™ SM Series Residential Geothermal Heat Pumps



## SM-HZ Straight Through Dimensions and Connections

Model	A (A')		B (B')		C (C')		D		E		F		G		H		J		K		L		M		N		O		P		R		S (SRH)   S' (LH)   T (URRH)   U' (LH)   V		WATER CONNECTIONS		FILTER SIZE	
	WIDTH	DEPTH	HEIGHT	HEIGHT	HEIGHT	HEIGHT	WIDTH	DEPTH	HEIGHT	WIDTH	DEPTH	RETURN AIR DUCT HEIGHT	RETURN AIR DUCT WIDTH	WATER IN	WATER OUT	DRAIN PORT	ELECTRICAL IN	ELECTRICAL OUT	HEATER KNCKOUT	HRR KNCKOUT	HRR IN	HRR OUT	HEATER KNCKOUT	HRR KNCKOUT	HEATER KNCKOUT CONNECTIONS**	HRR KNCKOUT CONNECTIONS**	HEATER KNCKOUT	HRR KNCKOUT	HEATER KNCKOUT	HRR KNCKOUT	HEATER KNCKOUT	HRR KNCKOUT	HEATER KNCKOUT	HRR KNCKOUT	HEATER KNCKOUT	HRR KNCKOUT	HEATER KNCKOUT	HRR KNCKOUT
SM024-HZ	25.1 (25.5)	164.1 (164.5)	19.7 (19.82)	19.5 (19.82)	34.0	34.0	3.4	3.4	17.2 (17.2)	17.2 (17.2)	0.7 (0.7)	0.7 (0.7)	2.5	2.5	7.4 (7.4)	12.3 (12.3)	15.9 (15.9)	9.9 (9.9)	6.5 (6.5)	13.2 (13.2)	2.0 (2.0)	6.5 (6.5)	10.0 (10.0)	11.8 (11.8)	10.8 (10.8)	10.8 (10.8)	3/4" F.P.T.	18X18X2 (2)										
SM036-HZ	28.0 (28.4)	176.0 (176.4)	22.1 (22.82)	22.1 (22.82)	46.0	46.0	3.4 (3.4)	3.4 (3.4)	20.2 (20.2)	20.2 (20.2)	0.7 (0.7)	0.7 (0.7)	2.5 (2.5)	2.5 (2.5)	8.9 (8.9)	13.8 (13.8)	17.4 (17.4)	11.4 (11.4)	6.5 (6.5)	16.2 (16.2)	2.0 (2.0)	7.5 (7.5)	11.7 (11.7)	12.9 (12.9)	13.0 (13.0)	1" F.P.T.	20X24X2 (2)											
SM048-HZ	28.0 (28.4)	176.0 (176.4)	22.1 (22.82)	22.1 (22.82)	46.0	46.0	3.4 (3.4)	3.4 (3.4)	20.2 (20.2)	20.2 (20.2)	0.7 (0.7)	0.7 (0.7)	2.5 (2.5)	2.5 (2.5)	8.9 (8.9)	13.8 (13.8)	17.4 (17.4)	11.4 (11.4)	6.5 (6.5)	16.2 (16.2)	2.0 (2.0)	7.5 (7.5)	11.7 (11.7)	12.9 (12.9)	13.0 (13.0)	1" F.P.T.	20X24X2 (2)											
SM060-HZ	28.0 (28.4)	183.0 (183.4)	22.1 (22.82)	22.1 (22.82)	52.0	52.0	3.4 (3.4)	3.4 (3.4)	20.2 (20.2)	20.2 (20.2)	0.7 (0.7)	0.7 (0.7)	2.5 (2.5)	2.5 (2.5)	8.9 (8.9)	13.8 (13.8)	17.4 (17.4)	11.4 (11.4)	6.5 (6.5)	16.2 (16.2)	2.0 (2.0)	7.5 (7.5)	14.2 (14.2)	15.1 (15.1)	13.0 (13.0)	1" F.P.T.	18X20X2 (3)											
SM070-HZ	28.0 (28.4)	183.0 (183.4)	22.1 (22.82)	22.1 (22.82)	52.0	52.0	3.4 (3.4)	3.4 (3.4)	20.2 (20.2)	20.2 (20.2)	0.7 (0.7)	0.7 (0.7)	2.5 (2.5)	2.5 (2.5)	8.9 (8.9)	13.8 (13.8)	17.4 (17.4)	11.4 (11.4)	6.5 (6.5)	16.2 (16.2)	2.0 (2.0)	7.5 (7.5)	14.2 (14.2)	15.1 (15.1)	13.0 (13.0)	1" F.P.T.	18X20X2 (3)											

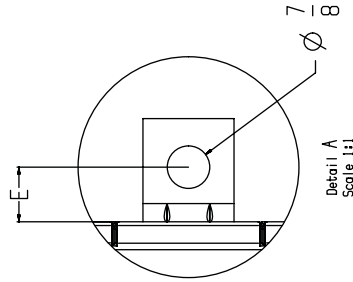


- NOTES**
- ALL DIMENSIONS ARE IN INCHES
  - SPECIFICATIONS SUBJECT TO CHANGE WITHOUT NOTICE
  - RETURN AIR & SUPPLY AIR DUCT FLANGES SHIPPED UNFOLED
  - ADDITIONAL SUPPLY AIR DUCT FLANGES CAN BE FIELD CONVERTED BETWEEN END BLOW AND STRAIGHT THROUGH SUPPLY AIR CONFIGURATIONS
  - CONDENSATE DRAIN 3/4" FPT
  - ELECTRIC HEAT ARE OPTIONAL FEATURES
  - HRR WATER CONNECTIONS: 1" F.P.T.
  - HRR WATER CONNECTIONS: 3/4" F.P.T.
  - ALL DIMENSIONS WITHIN +/- 0.125"
  - RETURN AIR & SUPPLY AIR DUCT FLANGES SHIPPED UNFOLED
  - ALL DIMENSIONS ARE IN INCHES
  - SPECIFICATIONS SUBJECT TO CHANGE WITHOUT NOTICE
  - MEASUREMENT WITH PLASTIC CAPS ATTACHED
  - ADDITIONAL SUPPLY AIR DUCT FLANGES CAN BE FIELD CONVERTED BETWEEN END BLOW AND STRAIGHT THROUGH SUPPLY AIR CONFIGURATIONS



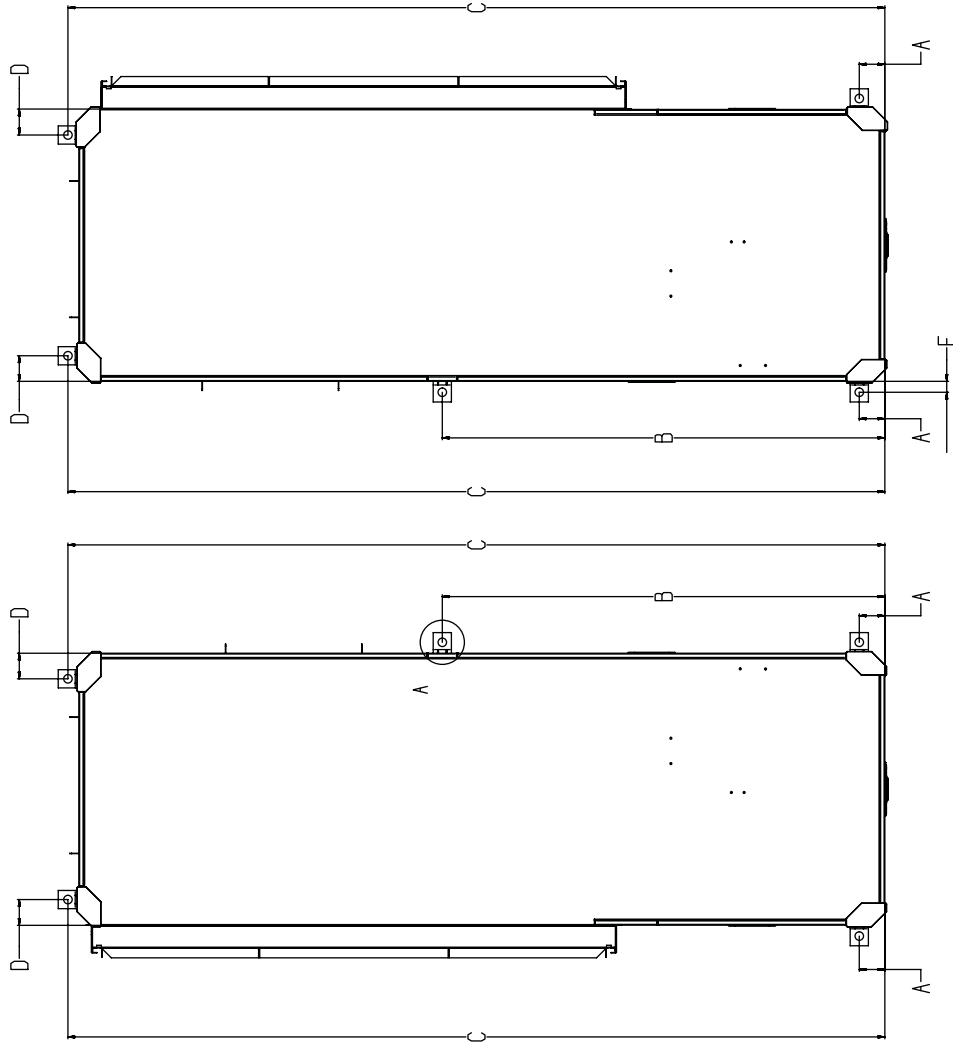
**SM-HZ Hanging Bracket Dimensions and Connections**

Model	A	B	C	D	E
SM024-HZ	2.634	32.817	65.225	2.634	1.125
SM036-HZ	2.634	33.972	77.125	2.634	1.125
SM048-HZ	2.634	33.972	77.125	2.634	1.125
SM060-HZ	2.634	45.573	84.125	2.634	1.125
SM070-HZ	2.634	45.573	84.125	2.634	1.125



**NOTES**  
 -ALL DIMENSIONS WITHIN +/- 0.125"  
 -ALL DIMENSIONS ARE IN INCHES  
 -SPECIFICATIONS SUBJECT TO CHANGE WITHOUT NOTICE  
 -DIMENSION "E" IS TYPICAL FOR ALL MODELS,  
 CONFIGURATIONS AND BRACKET POSITIONS

**HANGING BRACKET LOCATION SPECIFICATIONS**





**GreenSource<sup>™</sup> SM Series**  
Residential Geothermal Heat Pumps



SM024 Cooling Performance Data - Full Load @ 825 CFM								
Entering Water Temp °F	Water flow GPM	Pressure Drop Ft. Water	Cooling					
			Ent. Air db/wb,F	Total Btu/hr.	Sensible Btu/hr.	Ht. Rej. Btu/hr.	Unit kW	EER
50	3	0.7	75/63	26.9	20.6	31.0	1.28	21.1
			80/67	28.6	21.1	32.8	1.29	22.1
			85/71	30.4	21.7	34.7	1.31	23.3
	4	1.2	75/63	27.5	20.9	31.5	1.20	22.9
			80/67	29.3	21.4	33.3	1.21	24.2
			85/71	31.3	22.0	35.3	1.22	25.7
	6	2.6	75/63	28.2	21.2	31.9	1.12	25.2
			80/67	30.1	21.8	33.8	1.13	26.8
			85/71	32.1	22.3	35.9	1.12	28.6
60	3	0.7	75/63	25.7	20.0	30.2	1.41	18.2
			80/67	27.2	20.7	31.9	1.43	19.0
			85/71	29.0	21.2	33.8	1.45	20.0
	4	1.2	75/63	26.3	20.3	30.6	1.34	19.6
			80/67	28.0	21.0	32.4	1.36	20.7
			85/71	29.8	21.5	34.3	1.37	21.8
	6	2.5	75/63	27.0	20.6	31.1	1.27	21.3
			80/67	28.8	21.2	32.9	1.28	22.6
			85/71	30.6	21.8	34.9	1.28	24.0
70	3	0.7	75/63	24.3	19.5	29.3	1.56	15.6
			80/67	25.9	20.1	31.0	1.58	16.4
			85/71	27.6	20.7	32.8	1.60	17.3
	4	1.2	75/63	25.0	19.8	29.7	1.49	16.8
			80/67	26.6	20.4	31.5	1.50	17.7
			85/71	28.3	21.0	33.2	1.52	18.7
	6	2.4	75/63	25.6	20.0	30.2	1.42	18.1
			80/67	27.3	20.7	31.9	1.43	19.2
			85/71	29.2	21.2	33.9	1.43	20.4
80	3	0.7	75/63	24.3	19.5	29.3	1.56	15.6
			80/67	25.9	20.1	31.0	1.58	16.4
			85/71	27.6	20.7	32.8	1.60	17.3
	4	1.2	75/63	25.0	19.8	29.7	1.49	16.8
			80/67	26.6	20.4	31.5	1.50	17.7
			85/71	28.3	21.0	33.2	1.52	18.7
	6	2.4	75/63	25.6	20.0	30.2	1.42	18.1
			80/67	27.3	20.7	31.9	1.43	19.2
			85/71	29.2	21.2	33.9	1.43	20.4



SM024 Cooling Performance Data - Full Load @ 825 CFM continued...								
Entering Water Temp °F	Water flow GPM	Pressure Drop Ft. Water	Cooling					
			"Ent. Air db/wb,F"	"Total Btu/hr."	"Sensible Btu/hr."	"Ht. Rej. Btu/hr."	"Unit kW"	EER
85	3	0.7	75/63	22.4	18.7	28.1	1.79	12.5
			80/67	23.8	19.3	29.6	1.82	13.1
			85/71	25.3	20.0	31.2	1.83	13.8
	4	1.1	75/63	23.0	18.9	28.4	1.72	13.4
			80/67	24.5	19.5	30.0	1.74	14.1
			85/71	26.1	20.1	31.7	1.76	14.9
	6	2.3	75/63	23.6	19.2	28.8	1.65	14.3
			80/67	25.1	19.8	30.5	1.66	15.1
			85/71	26.8	20.5	32.2	1.67	16.0
90	3	0.6	75/63	21.7	18.4	27.7	1.88	11.6
			80/67	23.1	19.0	29.2	1.90	12.2
			85/71	24.6	19.6	30.8	1.92	12.8
	4	1.1	75/63	22.3	18.6	28.0	1.81	12.4
			80/67	23.7	19.3	29.5	1.83	13.0
			85/71	25.3	19.9	31.2	1.84	13.8
	6	2.3	75/63	22.8	18.9	28.3	1.73	13.2
			80/67	24.4	19.5	30.0	1.75	13.9
			85/71	26.0	20.1	31.7	1.76	14.8
100	3	0.6	75/63	20.4	17.9	26.9	2.05	9.9
			80/67	21.7	18.6	28.3	2.07	10.5
			85/71	23.1	19.2	29.8	2.10	11.0
	4	1.1	75/63	20.9	18.0	27.2	1.99	10.5
			80/67	22.3	18.7	28.7	2.00	11.1
			85/71	23.8	19.3	30.2	2.02	11.8
	6	2.2	75/63	21.4	18.3	27.4	1.92	11.2
			80/67	22.9	19.0	29.0	1.93	11.9
			85/71	24.4	19.6	30.6	1.94	12.6
110	3	0.6	75/63	19.0	17.4	26.1	2.25	8.4
			80/67	20.4	18.0	27.5	2.27	9.0
			85/71	21.6	18.7	28.9	2.29	9.4
	4	1	75/63	19.5	17.5	26.4	2.18	8.9
			80/67	20.9	18.2	27.8	2.20	9.5
			85/71	22.2	18.9	29.3	2.21	10.0
	6	2.1	75/63	20.0	17.7	26.6	2.11	9.5
			80/67	21.4	18.4	28.1	2.12	10.1
			85/71	22.8	19.1	29.6	2.13	10.7

SM024 Cooling Performance Data - Part Load @ 650 CFM								
Entering Water Temp °F	Water flow GPM	Pressure Drop Ft. Water	Cooling					
			"Ent. Air db/wb,F"	"Total Btu/hr."	"Sensible Btu/hr."	"Ht. Rej. Btu/hr."	"Unit kW"	EER
50	3	0.7	75/63	20.7	16.1	23.0	0.72	28.9
			80/67	22.0	16.5	24.2	0.70	31.6
			85/71	23.3	16.9	25.5	0.67	34.5
	4	1.2	75/63	21.1	16.3	23.2	0.65	32.4
			80/67	22.5	16.7	24.5	0.63	35.8
			85/71	23.8	17.2	25.8	0.60	39.5
	6	2.6	75/63	21.6	16.5	23.5	0.58	37.0
			80/67	22.9	16.9	24.8	0.56	41.2
			85/71	24.4	17.3	26.1	0.53	46.4
60	3	0.7	75/63	19.6	15.7	22.4	0.88	22.2
			80/67	20.8	16.1	23.6	0.86	24.1
			85/71	22.1	16.5	24.8	0.84	26.2
	4	1.2	75/63	20.0	15.8	22.6	0.82	24.4
			80/67	21.3	16.3	23.9	0.79	26.8
			85/71	22.6	16.7	25.1	0.77	29.4
	6	2.5	75/63	20.4	16.0	22.8	0.75	27.1
			80/67	21.8	16.5	24.1	0.72	30.1
			85/71	23.2	16.9	25.4	0.69	33.4
70	3	0.7	75/63	18.6	15.2	21.9	1.06	17.5
			80/67	19.8	15.7	23.0	1.04	19.0
			85/71	21.0	16.1	24.2	1.02	20.5
	4	1.2	75/63	18.9	15.4	22.0	0.99	19.0
			80/67	20.2	15.8	23.2	0.97	20.7
			85/71	21.4	16.3	24.4	0.95	22.6
	6	2.4	75/63	19.3	15.5	22.2	0.93	20.7
			80/67	20.6	16.0	23.4	0.90	22.8
			85/71	21.9	16.4	24.7	0.87	25.0
80	3	0.7	75/63	17.5	14.8	21.3	1.25	13.9
			80/67	18.6	15.3	22.4	1.24	15.0
			85/71	19.8	15.7	23.6	1.22	16.3
	4	1.1	75/63	17.9	14.9	21.5	1.19	15.0
			80/67	19.0	15.4	22.6	1.17	16.3
			85/71	20.2	15.8	23.8	1.14	17.7
	6	2.3	75/63	18.2	15.0	21.7	1.12	16.2
			80/67	19.4	15.6	22.8	1.10	17.7
			85/71	20.7	16.0	24.0	1.07	19.4

SM024 Cooling Performance Data - Part Load @ 650 CFM continued....								
Entering Water Temp °F	Water flow GPM	Pressure Drop Ft. Water	Cooling					
			"Ent. Air db/wb,F"	"Total Btu/hr."	"Sensible Btu/hr."	"Ht. Rej. Btu/hr."	"Unit kW"	EER
85	3	0.7	75/63	16.9	14.5	21.1	1.36	12.4
			80/67	18.1	15.0	22.2	1.34	13.5
			85/71	19.2	15.5	23.3	1.32	14.5
	4	1.1	75/63	17.3	14.6	21.3	1.29	13.4
			80/67	18.4	15.2	22.4	1.27	14.5
			85/71	19.6	15.6	23.5	1.25	15.7
	6	2.3	75/63	17.7	14.8	21.4	1.22	14.4
			80/67	18.8	15.4	22.5	1.20	15.7
			85/71	20.0	15.8	23.7	1.17	17.1
90	3	0.6	75/63	16.4	14.3	20.9	1.47	11.1
			80/67	17.5	14.8	21.9	1.45	12.0
			85/71	18.6	15.3	23.0	1.44	12.9
	4	1.1	75/63	16.7	14.5	21.0	1.40	11.9
			80/67	17.9	14.9	22.1	1.38	12.9
			85/71	19.0	15.5	23.2	1.36	14.0
	6	2.3	75/63	17.1	14.6	21.2	1.33	12.8
			80/67	18.2	15.1	22.3	1.31	13.9
			85/71	19.4	15.6	23.4	1.28	15.1
100	3	0.6	75/63	15.3	13.9	20.5	1.72	8.9
			80/67	16.3	14.4	21.5	1.70	9.6
			85/71	17.3	14.9	22.5	1.68	10.3
	4	1.1	75/63	15.6	14.0	20.6	1.64	9.5
			80/67	16.7	14.5	21.7	1.62	10.3
			85/71	17.7	15.1	22.7	1.60	11.0
	6	2.2	75/63	15.9	14.1	20.7	1.57	10.1
			80/67	17.0	14.7	21.8	1.55	11.0
			85/71	18.2	15.1	22.9	1.52	11.9
110	3	0.6	75/63	14.2	13.4	20.2	2.00	7.1
			80/67	15.1	13.9	21.2	1.98	7.6
			85/71	16.1	14.5	22.2	1.97	8.2
	4	1	75/63	14.4	13.5	20.3	1.92	7.5
			80/67	15.5	14.0	21.3	1.90	8.1
			85/71	16.5	14.6	22.3	1.88	8.8
	6	2.1	75/63	14.7	13.7	20.4	1.85	7.9
			80/67	15.8	14.2	21.4	1.82	8.7
			85/71	16.8	14.7	22.4	1.80	9.3

**GreenSource**™ SM Series  
Residential Geothermal Heat Pumps



**BOSCH**

SM036 Cooling Performance Data - Full Load @ 1100 CFM								
Entering Water Temp °F	Water flow GPM	Pressure Drop Ft. Water	Cooling					
			Ent. Air db/wb,F	Total Btu/hr.	Sensible Btu/hr.	Ht. Rej. Btu/hr.	Unit kW	EER
50	4.5	1.4	75/63	41.7	30.3	47.3	1.73	24.0
			80/67	44.5	31.1	50.3	1.76	25.2
			85/71	47.4	31.8	53.3	1.80	26.3
	6	2.3	75/63	42.5	30.6	47.8	1.64	25.9
			80/67	45.4	31.4	50.8	1.66	27.3
			85/71	48.4	32.2	54.0	1.69	28.6
	9	4.8	75/63	43.3	31.0	48.3	1.54	28.1
			80/67	46.3	31.8	51.4	1.56	29.7
			85/71	49.5	32.6	54.7	1.58	31.4
60	4.5	1.3	75/63	40.0	29.5	46.3	1.93	20.7
			80/67	42.7	30.2	49.1	1.96	21.7
			85/71	45.5	31.1	52.0	2.00	22.8
	6	2.2	75/63	40.8	29.8	46.8	1.84	22.1
			80/67	43.6	30.6	49.7	1.87	23.3
			85/71	46.5	31.5	52.7	1.89	24.6
	9	4.6	75/63	41.6	30.2	47.2	1.75	23.7
			80/67	44.5	31.0	50.3	1.77	25.2
			85/71	47.6	31.8	53.4	1.79	26.6
70	4.5	1.3	75/63	38.2	28.7	45.1	2.14	17.9
			80/67	40.9	29.5	47.9	2.17	18.8
			85/71	43.5	30.4	50.7	2.20	19.7
	6	2.2	75/63	39.0	29.1	45.6	2.05	19.0
			80/67	41.7	29.9	48.4	2.07	20.1
			85/71	44.6	30.6	51.4	2.10	21.2
	9	4.5	75/63	39.7	29.4	46.0	1.96	20.2
			80/67	42.5	30.2	48.9	1.98	21.5
			85/71	45.5	31.0	52.0	2.00	22.7
80	4.5	1.2	75/63	36.5	27.9	44.1	2.36	15.4
			80/67	38.9	28.8	46.6	2.39	16.3
			85/71	41.6	29.6	49.4	2.42	17.1
	6	2.1	75/63	37.2	28.2	44.5	2.27	16.4
			80/67	39.7	29.1	47.1	2.29	17.3
			85/71	42.5	29.9	50.1	2.32	18.3
	9	4.4	75/63	37.9	28.5	44.9	2.19	17.3
			80/67	40.6	29.3	47.7	2.21	18.4
			85/71	43.4	30.3	50.6	2.22	19.5

**GreenSource**™ SM Series  
Residential Geothermal Heat Pumps



SM036 Cooling Performance Data - Full Load @ 1100 CFM continued....								
Entering Water Temp °F	Water flow GPM	Pressure Drop Ft. Water	Cooling					
			Ent. Air db/wb,F	Total Btu/hr.	Sensible Btu/hr.	Ht. Rej. Btu/hr.	Unit kW	EER
85	4.5	1.2	75/63	35.5	27.6	43.5	2.48	14.3
			80/67	38.0	28.4	46.1	2.51	15.1
			85/71	40.6	29.2	48.8	2.55	15.9
	6	2.1	75/63	36.3	27.8	43.9	2.39	15.2
			80/67	38.8	28.8	46.5	2.41	16.1
			85/71	41.4	29.6	49.3	2.44	17.0
	9	4.3	75/63	36.9	28.1	44.3	2.31	16.0
			80/67	39.5	29.1	47.0	2.32	17.0
			85/71	42.4	29.8	50.0	2.34	18.1
90	4.5	1.2	75/63	34.6	27.2	42.9	2.61	13.3
			80/67	37.0	28.1	45.5	2.64	14.0
			85/71	39.5	28.9	48.1	2.67	14.8
	6	2	75/63	35.3	27.5	43.3	2.52	14.0
			80/67	37.8	28.4	45.9	2.54	14.9
			85/71	40.4	29.1	48.7	2.56	15.7
	9	4.2	75/63	35.9	27.7	43.7	2.43	14.7
			80/67	38.5	28.6	46.4	2.45	15.7
			85/71	41.2	29.5	49.2	2.46	16.7
100	4.5	1.2	75/63	32.8	26.3	42.0	2.88	11.4
			80/67	35.1	27.2	44.4	2.91	12.0
			85/71	37.4	28.1	46.9	2.95	12.7
	6	2	75/63	33.4	26.6	42.3	2.79	12.0
			80/67	35.8	27.5	44.8	2.81	12.7
			85/71	38.2	28.4	47.4	2.83	13.5
	9	4.1	75/63	34.0	26.8	42.7	2.70	12.6
			80/67	36.5	27.8	45.2	2.72	13.4
			85/71	39.0	28.6	47.9	2.74	14.2
110	4.5	1.1	75/63	30.9	25.5	41.1	3.20	9.6
			80/67	33.1	26.5	43.5	3.23	10.2
			85/71	35.4	27.3	45.9	3.26	10.9
	6	1.9	75/63	31.4	25.8	41.3	3.10	10.1
			80/67	33.7	26.8	43.7	3.12	10.8
			85/71	36.1	27.5	46.3	3.14	11.5
	9	4	75/63	32.1	26.1	41.6	3.00	10.7
			80/67	34.5	27.0	44.1	3.01	11.4
			85/71	36.8	27.9	46.6	3.03	12.1



**GreenSource**™ SM Series  
Residential Geothermal Heat Pumps



**BOSCH**

SM036 Cooling Performance Data - Part Load @ 800 CFM								
Entering Water Temp °F	Water flow GPM	Pressure Drop Ft. Water	Cooling					
			Ent. Air db/wb,F	Total Btu/hr.	Sensible Btu/hr.	Ht. Rej. Btu/hr.	Unit kW	EER
50	4.5	1.4	75/63	30.5	22.1	33.8	1.02	29.9
			80/67	32.5	22.7	35.8	1.00	32.6
			85/71	34.6	23.2	37.8	0.97	35.5
	6	2.3	75/63	31.0	22.3	34.1	0.96	32.3
			80/67	33.1	22.9	36.1	0.93	35.5
			85/71	35.3	23.4	38.2	0.91	39.0
	9	4.8	75/63	31.6	22.6	34.5	0.90	35.2
			80/67	33.7	23.1	36.5	0.87	38.8
			85/71	35.9	23.7	38.7	0.84	42.9
60	4.5	1.3	75/63	29.1	21.5	32.9	1.19	24.4
			80/67	31.0	22.1	34.8	1.17	26.5
			85/71	33.1	22.5	36.8	1.15	28.9
	6	2.2	75/63	29.6	21.7	33.2	1.13	26.1
			80/67	31.6	22.3	35.1	1.11	28.5
			85/71	33.7	22.8	37.2	1.08	31.2
	9	4.6	75/63	30.1	21.9	33.5	1.08	28.0
			80/67	32.1	22.5	35.5	1.05	30.7
			85/71	34.3	23.0	37.6	1.01	33.8
70	4.5	1.3	75/63	27.6	20.8	32.0	1.38	20.0
			80/67	29.5	21.4	33.8	1.35	21.8
			85/71	31.4	22.0	35.7	1.33	23.6
	6	2.2	75/63	28.1	21.0	32.2	1.32	21.3
			80/67	30.0	21.6	34.1	1.29	23.2
			85/71	32.0	22.2	36.1	1.26	25.3
	9	4.5	75/63	28.5	21.2	32.5	1.26	22.6
			80/67	30.5	21.8	34.5	1.23	24.8
			85/71	32.6	22.4	36.4	1.20	27.2
80	4.5	1.2	75/63	26.1	20.1	31.1	1.58	16.5
			80/67	27.9	20.8	32.8	1.56	17.9
			85/71	29.8	21.4	34.6	1.53	19.4
	6	2.1	75/63	26.6	20.3	31.3	1.52	17.5
			80/67	28.4	21.0	33.1	1.49	19.0
			85/71	30.4	21.5	35.0	1.46	20.7
	9	4.4	75/63	27.0	20.5	31.6	1.46	18.4
			80/67	28.9	21.2	33.4	1.43	20.2
			85/71	30.9	21.7	35.4	1.40	22.1

**GreenSource**™ SM Series  
Residential Geothermal Heat Pumps



**BOSCH**

SM036 Cooling Performance Data - Part Load @ 800 CFM continued....								
Entering Water Temp °F	Water flow GPM	Pressure Drop Ft. Water	Cooling					
			Ent. Air db/wb,F	Total Btu/hr.	Sensible Btu/hr.	Ht. Rej. Btu/hr.	Unit kW	EER
85	4.5	1.2	75/63	25.4	19.8	30.6	1.68	15.1
			80/67	27.1	20.5	32.4	1.66	16.3
			85/71	29.0	21.0	34.2	1.64	17.6
	6	2.1	75/63	25.8	20.0	30.9	1.62	15.9
			80/67	27.6	20.6	32.7	1.60	17.2
			85/71	29.5	21.3	34.5	1.57	18.7
	9	4.3	75/63	26.2	20.2	31.1	1.57	16.7
			80/67	28.0	20.9	32.9	1.54	18.2
			85/71	30.0	21.5	34.8	1.51	19.9
90	4.5	1.2	75/63	24.6	19.5	30.2	1.80	13.6
			80/67	26.3	20.2	31.9	1.78	14.8
			85/71	28.1	20.8	33.6	1.76	16.0
	6	2	75/63	25.0	19.6	30.5	1.74	14.3
			80/67	26.8	20.3	32.2	1.71	15.6
			85/71	28.6	20.9	34.0	1.69	16.9
	9	4.2	75/63	25.4	19.8	30.7	1.68	15.1
			80/67	27.2	20.5	32.4	1.65	16.4
			85/71	29.1	21.1	34.2	1.62	17.9
100	4.5	1.2	75/63	23.0	18.9	29.4	2.05	11.2
			80/67	24.7	19.5	31.1	2.03	12.1
			85/71	26.4	20.1	32.8	2.01	13.1
	6	2	75/63	23.4	19.0	29.6	1.99	11.7
			80/67	25.1	19.6	31.3	1.97	12.8
			85/71	26.9	20.3	33.0	1.94	13.9
	9	4.1	75/63	23.7	19.2	29.8	1.93	12.2
			80/67	25.5	19.9	31.4	1.91	13.4
			85/71	27.3	20.5	33.2	1.87	14.6
110	4.5	1.1	75/63	21.5	18.2	28.7	2.34	9.2
			80/67	23.1	18.9	30.3	2.32	9.9
			85/71	24.7	19.5	31.9	2.30	10.7
	6	1.9	75/63	21.8	18.3	28.9	2.28	9.5
			80/67	23.4	19.0	30.5	2.25	10.4
			85/71	25.1	19.6	32.1	2.23	11.3
	9	4	75/63	22.2	18.4	29.0	2.21	10.0
			80/67	23.8	19.2	30.6	2.19	10.9
			85/71	25.5	19.8	32.2	2.16	11.8

**GreenSource**™ SM Series  
Residential Geothermal Heat Pumps



SM048 Cooling Performance Data - Full Load @ 1600 CFM								
Entering Water Temp °F	Water flow GPM	Pressure Drop Ft. Water	Cooling					
			Ent. Air db/wb,F	Total Btu/hr.	Sensible Btu/hr.	Ht. Rej. Btu/hr.	Unit kW	EER
50	6	1.1	75/63	53.2	40.5	61.6	2.55	20.8
			80/67	56.6	41.7	65.1	2.58	21.9
			85/71	60.3	42.6	69.0	2.61	23.1
	8	1.9	75/63	54.5	41.1	62.5	2.44	22.3
			80/67	58.1	42.3	66.2	2.46	23.6
			85/71	62.0	43.3	70.2	2.48	25.0
	12	4	75/63	55.9	41.7	63.6	2.33	24.0
			80/67	59.7	42.8	67.5	2.35	25.4
			85/71	63.6	44.0	71.5	2.36	26.9
60	6	1.1	75/63	50.9	39.5	59.9	2.78	18.3
			80/67	54.3	40.6	63.5	2.80	19.4
			85/71	57.8	41.7	67.1	2.83	20.4
	8	1.8	75/63	52.1	40.1	60.8	2.65	19.7
			80/67	55.7	41.2	64.5	2.67	20.9
			85/71	59.4	42.3	68.2	2.69	22.1
	12	3.8	75/63	53.5	40.5	61.8	2.53	21.2
			80/67	57.2	41.8	65.6	2.54	22.5
			85/71	61.0	43.0	69.4	2.55	23.9
70	6	1.1	75/63	48.6	38.4	58.4	3.04	16.0
			80/67	51.8	39.7	61.8	3.06	16.9
			85/71	55.2	40.8	65.3	3.08	17.9
	8	1.8	75/63	49.8	39.0	59.2	2.90	17.2
			80/67	53.1	40.3	62.6	2.92	18.2
			85/71	56.6	41.4	66.2	2.93	19.3
	12	3.7	75/63	51.0	39.5	60.0	2.77	18.4
			80/67	54.5	40.9	63.6	2.77	19.6
			85/71	58.3	41.9	67.5	2.78	20.9
80	6	1	75/63	46.1	37.4	56.9	3.33	13.8
			80/67	49.2	38.6	60.1	3.36	14.7
			85/71	52.3	39.9	63.3	3.37	15.5
	8	1.7	75/63	47.3	37.9	57.6	3.19	14.8
			80/67	50.4	39.3	60.8	3.20	15.7
			85/71	53.8	40.4	64.3	3.22	16.7
	12	3.6	75/63	48.4	38.5	58.3	3.05	15.9
			80/67	51.9	39.7	61.8	3.05	17.0
			85/71	55.4	40.9	65.4	3.06	18.1



SM048 Cooling Performance Data - Full Load @ 1600 CFM continued....								
Entering Water Temp °F	Water flow GPM	Pressure Drop Ft. Water	Cooling					
			Ent. Air db/wb,F	Total Btu/hr.	Sensible Btu/hr.	Ht. Rej. Btu/hr.	Unit kW	EER
85	6	1	75/63	44.8	37.0	56.1	3.49	12.8
			80/67	47.9	38.1	59.3	3.52	13.6
			85/71	51.1	39.3	62.6	3.54	14.4
	8	1.7	75/63	45.9	37.4	56.7	3.35	13.7
			80/67	49.1	38.8	60.0	3.36	14.6
			85/71	52.4	39.9	63.4	3.37	15.5
	12	3.5	75/63	47.2	37.9	57.5	3.20	14.7
			80/67	50.5	39.2	60.9	3.21	15.8
			85/71	53.9	40.5	64.3	3.21	16.8
90	6	1	75/63	43.5	36.4	55.4	3.67	11.9
			80/67	46.6	37.6	58.5	3.69	12.6
			85/71	49.7	38.8	61.7	3.71	13.4
	8	1.7	75/63	44.7	36.8	56.1	3.52	12.7
			80/67	47.8	38.1	59.3	3.53	13.5
			85/71	51.0	39.3	62.5	3.54	14.4
	12	3.5	75/63	45.8	37.4	56.7	3.37	13.6
			80/67	49.0	38.7	60.0	3.37	14.5
			85/71	52.4	39.9	63.4	3.37	15.5
100	6	1	75/63	41.0	35.4	54.0	4.04	10.1
			80/67	43.7	36.7	56.9	4.06	10.8
			85/71	46.7	38.0	59.9	4.08	11.5
	8	1.6	75/63	42.0	35.8	54.5	3.89	10.8
			80/67	45.0	37.1	57.6	3.90	11.5
			85/71	48.0	38.4	60.6	3.90	12.3
	12	3.4	75/63	43.1	36.3	55.1	3.73	11.5
			80/67	46.3	37.5	58.3	3.73	12.4
			85/71	49.5	38.7	61.6	3.73	13.3
110	6	0.9	75/63	38.4	34.3	52.7	4.46	8.6
			80/67	41.0	35.7	55.4	4.48	9.2
			85/71	43.7	37.0	58.3	4.49	9.7
	8	1.6	75/63	39.3	34.7	53.2	4.30	9.1
			80/67	42.1	36.1	56.0	4.31	9.8
			85/71	45.0	37.3	59.0	4.31	10.4
	12	3.3	75/63	40.3	35.1	53.7	4.14	9.7
			80/67	43.3	36.4	56.7	4.14	10.5
			85/71	46.2	37.8	59.6	4.14	11.2

**GreenSource**™ SM Series  
Residential Geothermal Heat Pumps



SM048 Cooling Performance Data - Part Load @ 1300 CFM								
Entering Water Temp °F	Water flow GPM	Pressure Drop Ft. Water	Cooling					
			Ent. Air db/wb,F	Total Btu/hr.	Sensible Btu/hr.	Ht. Rej. Btu/hr.	Unit kW	EER
50	6	1.1	75/63	40.3	31.7	45.4	1.53	26.3
			80/67	43.0	32.8	48.0	1.50	28.7
			85/71	45.9	33.6	50.8	1.46	31.4
	8	1.9	75/63	41.2	32.1	45.9	1.44	28.6
			80/67	44.0	33.2	48.6	1.40	31.4
			85/71	47.0	34.0	51.5	1.36	34.6
	12	4	75/63	42.1	32.5	46.5	1.35	31.3
			80/67	45.0	33.5	49.4	1.30	34.6
			85/71	48.0	34.5	52.2	1.25	38.4
60	6	1.1	75/63	38.2	30.9	44.0	1.76	21.8
			80/67	40.9	32.0	46.5	1.72	23.7
			85/71	43.7	32.8	49.3	1.69	25.9
	8	1.8	75/63	39.1	31.2	44.5	1.67	23.5
			80/67	41.9	32.2	47.2	1.63	25.8
			85/71	44.6	33.3	49.9	1.58	28.2
	12	3.8	75/63	39.9	31.6	45.1	1.57	25.4
			80/67	42.7	32.7	47.8	1.53	28.0
			85/71	45.7	33.7	50.6	1.48	31.0
70	6	1.1	75/63	36.2	30.0	42.6	2.00	18.1
			80/67	38.8	31.0	45.2	1.97	19.7
			85/71	41.4	32.1	47.6	1.93	21.5
	8	1.8	75/63	36.9	30.3	43.1	1.91	19.3
			80/67	39.6	31.4	45.7	1.87	21.2
			85/71	42.3	32.5	48.3	1.83	23.2
	12	3.7	75/63	37.8	30.6	43.7	1.82	20.8
			80/67	40.5	31.8	46.2	1.77	22.9
			85/71	43.3	32.8	49.0	1.72	25.2
80	6	1	75/63	34.1	29.1	41.4	2.27	15.0
			80/67	36.5	30.3	43.7	2.23	16.3
			85/71	39.1	31.2	46.2	2.20	17.8
	8	1.7	75/63	34.8	29.5	41.8	2.18	16.0
			80/67	37.4	30.5	44.3	2.14	17.5
			85/71	39.9	31.6	46.7	2.09	19.1
	12	3.6	75/63	35.5	29.8	42.2	2.08	17.1
			80/67	38.2	30.9	44.7	2.03	18.8
			85/71	40.9	32.0	47.3	1.98	20.6



SM048 Cooling Performance Data - Part Load @ 1300 CFM continued....								
Entering Water Temp °F	Water flow GPM	Pressure Drop Ft. Water	Cooling					
			Ent. Air db/wb,F	Total Btu/hr.	Sensible Btu/hr.	Ht. Rej. Btu/hr.	Unit kW	EER
85	6	1	75/63	33.1	28.7	40.8	2.42	13.7
			80/67	35.5	29.8	43.1	2.38	14.9
			85/71	37.8	30.9	45.4	2.35	16.1
	8	1.7	75/63	33.7	29.0	41.1	2.32	14.5
			80/67	36.2	30.1	43.6	2.28	15.9
			85/71	38.7	31.2	45.9	2.24	17.3
	12	3.5	75/63	34.4	29.3	41.5	2.22	15.5
			80/67	37.0	30.5	44.0	2.18	17.0
			85/71	39.7	31.4	46.6	2.13	18.7
90	6	1	75/63	32.0	28.3	40.2	2.56	12.5
			80/67	34.3	29.5	42.4	2.53	13.5
			85/71	36.7	30.5	44.7	2.50	14.7
	8	1.7	75/63	32.7	28.5	40.6	2.47	13.2
			80/67	35.1	29.6	42.9	2.43	14.4
			85/71	37.5	30.8	45.2	2.39	15.7
	12	3.5	75/63	33.3	28.9	40.9	2.38	14.0
			80/67	35.8	30.0	43.3	2.33	15.4
			85/71	38.4	31.1	45.7	2.28	16.9
100	6	1	75/63	29.9	27.5	39.1	2.89	10.4
			80/67	32.1	28.6	41.2	2.86	11.2
			85/71	34.3	29.7	43.4	2.83	12.1
	8	1.6	75/63	30.6	27.6	39.4	2.79	11.0
			80/67	32.8	28.9	41.6	2.76	11.9
			85/71	35.1	30.0	43.9	2.72	12.9
	12	3.4	75/63	31.1	28.0	39.7	2.70	11.5
			80/67	33.5	29.1	41.9	2.66	12.6
			85/71	35.9	30.3	44.3	2.61	13.8
110	6	0.9	75/63	27.9	26.7	38.1	3.25	8.6
			80/67	29.9	27.8	40.2	3.22	9.3
			85/71	32.0	29.0	42.2	3.20	10.0
	8	1.6	75/63	28.4	26.9	38.4	3.15	9.0
			80/67	30.5	28.1	40.5	3.12	9.8
			85/71	32.7	29.2	42.6	3.08	10.6
	12	3.3	75/63	29.0	27.1	38.6	3.05	9.5
			80/67	31.2	28.3	40.8	3.01	10.4
			85/71	33.5	29.4	42.9	2.97	11.3

**GreenSource**™ SM Series  
Residential Geothermal Heat Pumps



SM060 Cooling Performance Data - Full Load @ 2000 CFM								
Entering Water Temp °F	Water flow GPM	Pressure Drop Ft. Water	Cooling					
			Ent. Air db/wb,F	Total Btu/hr.	Sensible Btu/hr.	Ht. Rej. Btu/hr.	Unit kW	EER
50	7.5	1.2	75/63	67.5	51.0	78.1	3.21	21.0
			80/67	72.0	52.5	82.7	3.23	22.3
			85/71	76.7	53.9	87.5	3.24	23.7
	10	2	75/63	68.9	51.6	79.2	3.09	22.3
			80/67	73.6	53.1	83.9	3.10	23.7
			85/71	78.6	54.4	89.0	3.11	25.3
	15	4.2	75/63	70.3	52.2	80.2	2.98	23.6
			80/67	75.3	53.6	85.3	2.98	25.2
			85/71	80.5	55.1	90.5	2.98	27.0
60	7.5	1.2	75/63	64.7	49.8	76.1	3.47	18.7
			80/67	69.1	51.4	80.6	3.48	19.8
			85/71	73.6	52.8	85.2	3.50	21.0
	10	2	75/63	66.0	50.4	77.0	3.33	19.8
			80/67	70.7	51.8	81.8	3.34	21.1
			85/71	75.5	53.3	86.6	3.35	22.6
	15	4.1	75/63	67.4	51.0	78.1	3.21	21.0
			80/67	72.3	52.5	83.0	3.21	22.5
			85/71	77.2	54.1	87.9	3.20	24.1
70	7.5	1.1	75/63	61.8	48.6	74.2	3.77	16.4
			80/67	66.0	50.2	78.5	3.79	17.4
			85/71	70.4	51.6	83.0	3.81	18.5
	10	1.9	75/63	63.1	49.1	75.1	3.62	17.4
			80/67	67.7	50.6	79.7	3.64	18.6
			85/71	72.3	52.1	84.3	3.64	19.9
	15	3.9	75/63	64.6	49.6	76.1	3.49	18.5
			80/67	69.1	51.4	80.6	3.48	19.8
			85/71	73.9	52.8	85.4	3.48	21.3
80	7.5	1.1	75/63	58.9	47.3	72.4	4.13	14.3
			80/67	62.9	49.0	76.6	4.15	15.1
			85/71	67.3	50.3	81.0	4.18	16.1
	10	1.8	75/63	60.2	47.7	73.3	3.97	15.2
			80/67	64.5	49.4	77.6	3.98	16.2
			85/71	68.9	50.8	82.1	3.99	17.3
	15	3.8	75/63	61.5	48.3	74.0	3.82	16.1
			80/67	65.8	50.1	78.4	3.82	17.2
			85/71	70.4	51.6	83.0	3.81	18.5

SM060 Cooling Performance Data - Full Load @ 2000 CFM continued....								
Entering Water Temp °F	Water flow GPM	Pressure Drop Ft. Water	Cooling					
			Ent. Air db/wb,F	Total Btu/hr.	Sensible Btu/hr.	Ht. Rej. Btu/hr.	Unit kW	EER
85	7.5	1.1	75/63	57.5	46.6	71.6	4.33	13.3
			80/67	61.3	48.3	75.6	4.36	14.1
			85/71	65.5	49.8	79.9	4.38	15.0
	10	1.8	75/63	58.7	47.1	72.3	4.17	14.1
			80/67	62.9	48.8	76.6	4.18	15.0
			85/71	67.2	50.2	81.0	4.19	16.0
	15	3.8	75/63	59.8	47.7	72.9	4.01	14.9
			80/67	64.2	49.4	77.3	4.01	16.0
			85/71	68.7	51.0	81.9	4.00	17.2
90	7.5	1.1	75/63	56.0	45.9	70.8	4.55	12.3
			80/67	59.7	47.7	74.7	4.57	13.1
			85/71	63.9	49.1	79.0	4.60	13.9
	10	1.8	75/63	57.0	46.6	71.3	4.37	13.0
			80/67	61.2	48.1	75.6	4.39	13.9
			85/71	65.4	49.6	79.9	4.40	14.9
	15	3.7	75/63	58.3	46.9	72.1	4.21	13.8
			80/67	62.5	48.8	76.3	4.21	14.8
			85/71	66.9	50.3	80.7	4.21	15.9
100	7.5	1	75/63	52.7	44.8	69.1	5.02	10.5
			80/67	56.4	46.5	73.0	5.06	11.2
			85/71	60.3	48.0	77.0	5.09	11.8
	10	1.7	75/63	53.9	45.2	69.6	4.84	11.1
			80/67	57.8	46.8	73.8	4.86	11.9
			85/71	61.9	48.4	77.9	4.88	12.7
	15	3.6	75/63	54.9	45.7	70.1	4.67	11.8
			80/67	59.1	47.3	74.4	4.68	12.6
			85/71	63.2	49.0	78.5	4.68	13.5
110	7.5	1	75/63	49.5	43.5	67.7	5.57	8.9
			80/67	53.0	45.2	71.3	5.62	9.4
			85/71	56.6	46.8	75.2	5.66	10.0
	10	1.7	75/63	50.7	43.8	68.2	5.39	9.4
			80/67	54.2	45.6	71.9	5.41	10.0
			85/71	58.1	47.3	75.9	5.43	10.7
	15	3.5	75/63	51.6	44.3	68.5	5.21	9.9
			80/67	55.4	46.1	72.5	5.22	10.6
			85/71	59.4	47.7	76.5	5.23	11.4



**GreenSource**™ SM Series  
Residential Geothermal Heat Pumps



SM060 Cooling Performance Data - Part Load @ 1600 CFM								
Entering Water Temp °F	Water flow GPM	Pressure Drop Ft. Water	Cooling					
			Ent. Air db/wb,F	Total Btu/hr.	Sensible Btu/hr.	Ht. Rej. Btu/hr.	Unit kW	EER
50	7.5	1.2	75/63	51.2	39.6	57.4	1.89	27.0
			80/67	54.6	41.0	60.7	1.85	29.5
			85/71	58.3	42.0	64.3	1.81	32.3
	10	2	75/63	52.1	40.1	58.0	1.79	29.2
			80/67	55.8	41.2	61.5	1.74	32.1
			85/71	59.5	42.4	65.1	1.69	35.3
	15	4.2	75/63	53.0	40.5	58.6	1.68	31.6
			80/67	56.8	41.7	62.2	1.62	35.0
			85/71	60.6	43.0	65.9	1.56	38.8
60	7.5	1.2	75/63	48.6	38.6	55.7	2.17	22.4
			80/67	52.1	39.8	59.1	2.13	24.5
			85/71	55.6	41.0	62.5	2.08	26.7
	10	2	75/63	49.6	39.0	56.3	2.07	24.0
			80/67	53.1	40.3	59.7	2.02	26.3
			85/71	56.6	41.5	63.1	1.97	28.8
	15	4.1	75/63	50.6	39.3	57.0	1.96	25.8
			80/67	54.1	40.8	60.4	1.90	28.4
			85/71	57.8	42.0	64.0	1.85	31.3
70	7.5	1.1	75/63	46.2	37.5	54.2	2.47	18.7
			80/67	49.4	38.9	57.3	2.43	20.3
			85/71	52.8	40.0	60.6	2.39	22.1
	10	1.9	75/63	47.1	37.9	54.7	2.37	19.9
			80/67	50.4	39.2	58.0	2.32	21.7
			85/71	53.9	40.4	61.4	2.27	23.8
	15	3.9	75/63	47.9	38.2	55.3	2.26	21.2
			80/67	51.3	39.7	58.5	2.21	23.3
			85/71	54.9	40.9	62.0	2.15	25.6
80	7.5	1.1	75/63	43.5	36.5	52.6	2.81	15.5
			80/67	46.8	37.8	55.7	2.76	16.9
			85/71	50.0	39.0	58.9	2.72	18.4
	10	1.8	75/63	44.3	36.8	53.0	2.70	16.4
			80/67	47.6	38.2	56.2	2.65	18.0
			85/71	51.0	39.4	59.5	2.60	19.6
	15	3.8	75/63	45.2	37.2	53.5	2.59	17.4
			80/67	48.6	38.5	56.8	2.53	19.2
			85/71	52.0	39.9	60.0	2.47	21.0



SM060 Cooling Performance Data - Part Load @ 1600 CFM continued....								
Entering Water Temp °F	Water flow GPM	Pressure Drop Ft. Water	Cooling					
			Ent. Air db/wb,F	Total Btu/hr.	Sensible Btu/hr.	Ht. Rej. Btu/hr.	Unit kW	EER
85	7.5	1.1	75/63	42.3	35.9	51.9	2.99	14.2
			80/67	45.4	37.3	54.9	2.95	15.4
			85/71	48.6	38.5	58.0	2.90	16.7
	10	1.8	75/63	43.0	36.3	52.2	2.88	14.9
			80/67	46.3	37.6	55.4	2.83	16.4
			85/71	49.4	39.0	58.5	2.78	17.8
	15	3.8	75/63	43.8	36.6	52.7	2.77	15.8
			80/67	47.1	38.0	55.9	2.71	17.4
			85/71	50.5	39.3	59.1	2.65	19.0
90	7.5	1.1	75/63	40.9	35.4	51.1	3.18	12.9
			80/67	43.9	36.8	54.0	3.14	14.0
			85/71	47.1	38.1	57.1	3.09	15.2
	10	1.8	75/63	41.7	35.7	51.5	3.07	13.6
			80/67	44.7	37.2	54.5	3.02	14.8
			85/71	48.0	38.5	57.6	2.97	16.2
	15	3.7	75/63	42.5	35.9	52.0	2.96	14.4
			80/67	45.6	37.5	55.0	2.90	15.7
			85/71	49.1	38.7	58.3	2.84	17.3
100	7.5	1	75/63	38.4	34.4	49.8	3.58	10.7
			80/67	41.2	35.8	52.6	3.55	11.6
			85/71	44.0	37.1	55.4	3.51	12.5
	10	1.7	75/63	39.1	34.6	50.2	3.47	11.3
			80/67	41.9	36.1	53.0	3.43	12.2
			85/71	45.0	37.4	55.9	3.38	13.3
	15	3.6	75/63	39.7	34.9	50.5	3.36	11.8
			80/67	42.8	36.3	53.5	3.31	12.9
			85/71	46.0	37.6	56.5	3.25	14.1
110	7.5	1	75/63	35.7	33.4	48.6	4.04	8.8
			80/67	38.4	34.8	51.3	4.00	9.6
			85/71	41.2	36.2	54.0	3.97	10.4
	10	1.7	75/63	36.5	33.5	49.0	3.92	9.3
			80/67	39.2	35.1	51.6	3.88	10.1
			85/71	42.1	36.4	54.4	3.84	11.0
	15	3.5	75/63	37.1	33.8	49.3	3.81	9.7
			80/67	39.9	35.3	51.9	3.76	10.6
			85/71	42.8	36.7	54.8	3.71	11.5

**GreenSource**™ SM Series  
Residential Geothermal Heat Pumps



SM070 Cooling Performance Data - Full Load @ 2350 CFM								
Entering Water Temp °F	Water flow GPM	Pressure Drop Ft. Water	Cooling					
			Ent. Air db/wb,F	Total Btu/hr.	Sensible Btu/hr.	Ht. Rej. Btu/hr.	Unit kW	EER
50	9	0.9	75/63	74.5	56.0	87.3	3.84	19.4
			80/67	79.7	57.6	92.5	3.85	20.7
			85/71	84.9	59.5	97.8	3.86	22.0
	12	1.5	75/63	76.2	56.7	88.5	3.69	20.6
			80/67	81.6	58.4	94.0	3.70	22.1
			85/71	87.2	60.0	99.5	3.70	23.6
	18	3.2	75/63	78.0	57.5	89.9	3.55	22.0
			80/67	83.6	59.2	95.5	3.55	23.6
			85/71	89.3	61.2	101.1	3.54	25.2
60	9	0.9	75/63	71.4	54.8	85.1	4.13	17.3
			80/67	76.5	56.3	90.2	4.15	18.4
			85/71	81.6	57.9	95.4	4.16	19.6
	12	1.5	75/63	73.1	55.5	86.2	3.97	18.4
			80/67	78.2	57.3	91.4	3.98	19.7
			85/71	83.5	59.0	96.8	3.97	21.0
	18	3.1	75/63	74.9	55.9	87.5	3.82	19.6
			80/67	80.2	57.8	92.9	3.81	21.0
			85/71	85.8	59.5	98.5	3.80	22.6
70	9	0.9	75/63	68.3	53.2	83.1	4.48	15.3
			80/67	73.0	55.3	87.8	4.49	16.3
			85/71	78.0	56.6	93.0	4.51	17.3
	12	1.4	75/63	69.8	54.1	84.0	4.30	16.2
			80/67	74.8	55.7	89.1	4.31	17.4
			85/71	80.0	57.4	94.3	4.31	18.6
	18	3	75/63	71.4	54.8	85.1	4.13	17.3
			80/67	76.6	56.7	90.2	4.13	18.6
			85/71	82.1	58.1	95.8	4.11	20.0
80	9	0.8	75/63	65.0	52.1	81.0	4.86	13.4
			80/67	69.6	53.6	85.7	4.90	14.2
			85/71	73.9	56.4	90.1	4.90	15.1
	12	1.4	75/63	66.5	52.4	82.0	4.69	14.2
			80/67	71.1	54.6	86.6	4.69	15.1
			85/71	76.2	56.0	91.8	4.70	16.2
	18	2.9	75/63	67.9	53.3	82.8	4.51	15.1
			80/67	73.0	54.9	87.9	4.50	16.2
			85/71	78.1	57.1	92.9	4.48	17.4



SM070 Cooling Performance Data - Full Load @ 2350 CFM continued....								
Entering Water Temp °F	Water flow GPM	Pressure Drop Ft. Water	Cooling					
			Ent. Air db/wb,F	Total Btu/hr.	Sensible Btu/hr.	Ht. Rej. Btu/hr.	Unit kW	EER
85	9	0.8	75/63	63.4	51.5	80.0	5.07	12.5
			80/67	67.8	53.3	84.5	5.10	13.3
			85/71	72.4	54.9	89.3	5.13	14.1
	12	1.4	75/63	64.9	51.7	81.0	4.90	13.3
			80/67	69.5	53.6	85.6	4.91	14.1
			85/71	74.1	55.8	90.3	4.91	15.1
	18	2.8	75/63	66.2	52.6	81.7	4.72	14.0
			80/67	71.1	54.2	86.7	4.71	15.1
			85/71	76.2	56.0	91.8	4.70	16.2
90	9	0.8	75/63	61.8	50.8	79.1	5.30	11.7
			80/67	65.9	53.1	83.4	5.33	12.4
			85/71	70.4	54.5	88.1	5.36	13.1
	12	1.3	75/63	63.2	51.0	80.0	5.12	12.4
			80/67	67.3	53.8	84.2	5.13	13.1
			85/71	72.3	54.6	89.3	5.15	14.0
	18	2.8	75/63	64.6	51.6	80.8	4.93	13.1
			80/67	69.1	53.8	85.4	4.94	14.0
			85/71	74.0	55.6	90.3	4.93	15.0
100	9	0.8	75/63	58.2	50.0	77.1	5.79	10.1
			80/67	62.5	51.2	81.7	5.84	10.7
			85/71	66.6	53.3	85.9	5.87	11.3
	12	1.3	75/63	59.5	50.5	77.7	5.59	10.6
			80/67	63.9	51.8	82.4	5.63	11.4
			85/71	68.3	54.0	86.8	5.64	12.1
	18	2.7	75/63	61.0	50.5	78.7	5.41	11.3
			80/67	65.5	52.0	83.3	5.43	12.1
			85/71	70.0	54.3	87.9	5.42	12.9
110	9	0.8	75/63	54.9	48.1	75.7	6.37	8.6
			80/67	58.7	50.0	79.8	6.42	9.1
			85/71	62.7	51.8	84.0	6.47	9.7
	12	1.3	75/63	56.0	48.8	76.1	6.17	9.1
			80/67	60.1	50.5	80.4	6.20	9.7
			85/71	64.2	52.6	84.7	6.22	10.3
	18	2.6	75/63	57.2	49.4	76.6	5.96	9.6
			80/67	61.5	51.0	81.1	5.98	10.3
			85/71	65.9	52.7	85.7	5.99	11.0

**GreenSource**™ SM Series  
Residential Geothermal Heat Pumps



**BOSCH**

SM070 Cooling Performance Data - Part Load @ 1850 CFM								
Entering Water Temp °F	Water flow GPM	Pressure Drop Ft. Water	Cooling					
			Ent. Air db/wb,F	Total Btu/hr.	Sensible Btu/hr.	Ht. Rej. Btu/hr.	Unit kW	EER
50	9	0.9	75/63	59.0	45.6	66.9	2.40	24.6
			80/67	62.7	47.1	70.6	2.38	26.3
			85/71	66.7	48.3	74.6	2.35	28.3
	12	1.5	75/63	60.2	46.2	67.8	2.29	26.3
			80/67	64.1	47.6	71.6	2.26	28.4
			85/71	68.3	48.8	75.8	2.23	30.7
	18	3.2	75/63	61.4	46.8	68.7	2.17	28.3
			80/67	65.6	48.1	72.8	2.14	30.7
			85/71	69.8	49.5	76.9	2.10	33.3
60	9	0.9	75/63	56.0	44.5	64.8	2.67	21.0
			80/67	59.7	45.9	68.5	2.65	22.5
			85/71	63.6	47.2	72.3	2.63	24.2
	12	1.5	75/63	57.2	45.0	65.6	2.56	22.3
			80/67	61.1	46.3	69.5	2.53	24.1
			85/71	65.1	47.6	73.4	2.50	26.1
	18	3.1	75/63	58.5	45.4	66.6	2.45	23.9
			80/67	62.4	47.0	70.4	2.41	25.9
			85/71	66.5	48.3	74.4	2.37	28.1
70	9	0.9	75/63	53.1	43.2	62.8	2.97	17.9
			80/67	56.6	44.7	66.3	2.95	19.2
			85/71	60.5	45.9	70.1	2.92	20.7
	12	1.4	75/63	54.3	43.6	63.6	2.86	19.0
			80/67	58.0	45.1	67.3	2.83	20.5
			85/71	61.8	46.4	71.0	2.79	22.1
	18	3	75/63	55.4	44.1	64.4	2.74	20.2
			80/67	59.2	45.7	68.1	2.70	21.9
			85/71	63.1	47.0	72.0	2.66	23.7
80	9	0.8	75/63	50.1	41.9	60.8	3.30	15.2
			80/67	53.5	43.5	64.1	3.27	16.3
			85/71	57.0	44.9	67.7	3.25	17.5
	12	1.4	75/63	51.1	42.4	61.4	3.18	16.1
			80/67	54.7	43.9	65.0	3.15	17.4
			85/71	58.3	45.3	68.5	3.12	18.7
	18	2.9	75/63	52.2	42.8	62.2	3.06	17.0
			80/67	55.9	44.3	65.9	3.03	18.5
			85/71	59.7	45.8	69.5	2.99	20.0

SM070 Cooling Performance Data - Part Load @ 1850 CFM continued....								
Entering Water Temp °F	Water flow GPM	Pressure Drop Ft. Water	Cooling					
			Ent. Air db/wb,F	Total Btu/hr.	Sensible Btu/hr.	Ht. Rej. Btu/hr.	Unit kW	EER
85	9	0.8	75/63	48.6	41.2	59.8	3.47	14.0
			80/67	51.8	42.9	63.1	3.45	15.0
			85/71	55.3	44.3	66.5	3.43	16.1
	12	1.4	75/63	49.6	41.7	60.5	3.36	14.8
			80/67	53.0	43.3	63.8	3.33	15.9
			85/71	56.6	44.7	67.4	3.30	17.2
	18	2.8	75/63	50.5	42.2	61.1	3.24	15.6
			80/67	54.2	43.7	64.7	3.20	16.9
			85/71	58.0	45.1	68.4	3.16	18.3
90	9	0.8	75/63	47.0	40.6	58.9	3.66	12.8
			80/67	50.2	42.3	62.1	3.64	13.8
			85/71	53.6	43.7	65.5	3.63	14.8
	12	1.3	75/63	47.9	41.1	59.4	3.54	13.5
			80/67	51.4	42.6	62.8	3.52	14.6
			85/71	54.8	44.1	66.2	3.49	15.7
	18	2.8	75/63	49.0	41.4	60.1	3.42	14.3
			80/67	52.5	43.0	63.6	3.39	15.5
			85/71	56.1	44.6	67.0	3.35	16.7
100	9	0.8	75/63	43.8	39.4	57.0	4.08	10.7
			80/67	46.9	41.0	60.0	4.06	11.5
			85/71	50.2	42.6	63.3	4.03	12.5
	12	1.3	75/63	44.7	39.8	57.5	3.96	11.3
			80/67	47.9	41.4	60.7	3.93	12.2
			85/71	51.3	42.9	64.0	3.89	13.2
	18	2.7	75/63	45.7	40.1	58.1	3.83	11.9
			80/67	49.0	41.8	61.3	3.80	12.9
			85/71	52.5	43.3	64.7	3.76	14.0
110	9	0.8	75/63	40.5	38.1	55.1	4.55	8.9
			80/67	43.7	39.9	58.3	4.51	9.7
			85/71	46.9	41.5	61.5	4.48	10.5
	12	1.3	75/63	41.4	38.5	55.7	4.43	9.4
			80/67	44.7	40.2	58.8	4.39	10.2
			85/71	48.0	41.6	62.1	4.34	11.1
	18	2.6	75/63	42.3	38.8	56.1	4.30	9.8
			80/67	45.6	40.4	59.4	4.26	10.7
			85/71	49.0	42.1	62.6	4.20	11.7

**GreenSource**™ SM Series  
Residential Geothermal Heat Pumps



SM024 Octave Band Sound Power Levels dB, re 10-12 Watts											
Description	Load	Center Frequency - Hz								A weighted overall (dBA)	A weighted overall (dBA)
		63	125	250	500	1000	2000	4000	8000	"ARI-260:2011 (50Hz-10kHz)"	"ARI-260:2001 (100hz-10kHz)"
Casing Radiated	Cooling Part	79	66	60	54	53	44	38	31	59	58
	Cooling Full	80	63	60	54	54	47	40	37	59	58
	Heating Part	74	66	59	54	52	43	38	31	58	57
	Heating Full	74	65	61	53	54	45	39	34	58	58
	FAN Only	73	61	56	51	48	43	38	30	54	53
Ducted Discharge	Cooling Part	75	67	60	67	63	59	56	49	68	63
	Cooling Full	76	68	62	68	65	61	58	52	70	67
	Heating Part	77	67	60	65	63	58	56	49	67	63
	Heating Full	77	70	62	68	65	61	59	53	70	67
	FAN Only	75	67	60	66	63	59	56	49	67	63

SM036 Octave Band Sound Power Levels dB, re 10-12 Watts											
Description	Load	Center Frequency - Hz								A weighted overall (dBA)	A weighted overall (dBA)
		63	125	250	500	1000	2000	4000	8000	"ARI-260:2011 (50Hz-10kHz)"	"ARI-260:2001 (100hz-10kHz)"
Casing Radiated	Cooling Part	75	61	53	50	45	39	34	31	53	52
	Cooling Full	75	65	55	52	49	43	41	40	56	55
	Heating Part	74	60	52	50	44	38	33	30	53	52
	Heating Full	73	66	57	51	48	42	39	36	56	55
	FAN Only	66	53	48	45	42	36	29	24	48	47
Ducted Discharge	Cooling Part	78	65	56	61	59	55	53	46	64	63
	Cooling Full	89	71	59	63	62	59	57	51	68	67
	Heating Part	79	65	56	61	59	56	53	46	64	63
	Heating Full	80	68	59	63	62	59	58	52	67	67
	FAN Only	79	66	56	61	59	55	53	46	64	63

SM048 Octave Band Sound Power Levels dB, re 10-12 Watts											
Description	Load	Center Frequency - Hz								A weighted overall (dBA)	A weighted overall (dBA)
		63	125	250	500	1000	2000	4000	8000	"ARI-260:2011 (50Hz-10kHz)"	"ARI-260:2001 (100hz-10kHz)"
Casing Radiated	Cooling Part	75	69	56	52	50	43	36	32	57	57
	Cooling Full	77	75	60	53	53	48	40	36	62	61
	Heating Part	77	69	58	52	51	43	35	31	58	57
	Heating Full	76	75	69	53	53	47	39	34	63	63
	FAN Only	69	56	56	49	48	43	35	27	53	52
Ducted Discharge	Cooling Part	82	70	59	63	63	59	58	52	67	67
	Cooling Full	88	75	64	67	66	64	62	58	72	71
	Heating Part	81	69	60	64	63	60	58	53	68	67
	Heating Full	83	74	64	67	66	64	63	58	71	71
	FAN Only	86	70	60	63	62	60	58	52	68	67

Bosch Thermotechnology Corporation  
Londonderry, NH • Ft. Lauderdale, FL

**GreenSource™ SM Series**  
Residential Geothermal Heat Pumps



SM060 Octave Band Sound Power Levels dB, re 10-12 Watts											
Description	Load	Center Frequency - Hz								A weighted overall (dBA)	
		63	125	250	500	1000	2000	4000	8000	"ARI-260:2011 (50Hz-10kHz)"	"ARI-260:2001 (100hz-10kHz)"
<b>Casing Radiated</b>	Cooling Part	82	66	58	55	51	45	42	37	59	57
	Cooling Full	79	72	62	58	55	49	47	42	62	61
	Heating Part	76	67	62	57	52	47	47	47	60	60
	Heating Full	82	74	63	58	56	49	46	42	63	62
	FAN Only	71	60	57	53	49	44	39	29	55	55
<b>Ducted Discharge</b>	Cooling Part	89	73	63	67	63	61	60	54	70	69
	Cooling Full	94	79	68	70	68	66	66	61	75	74
	Heating Part	88	74	63	67	64	61	60	54	70	70
	Heating Full	94	79	68	70	68	66	66	61	75	74
	FAN Only	87	73	63	67	64	62	60	54	70	70

SM070 Octave Band Sound Power Levels dB, re 10-12 Watts											
Description	Load	Center Frequency - Hz								A weighted overall (dBA)	
		63	125	250	500	1000	2000	4000	8000	"ARI-260:2011 (50Hz-10kHz)"	"ARI-260:2001 (100hz-10kHz)"
<b>Casing Radiated</b>	Cooling Part	82	68	61	57	52	49	44	36	61	59
	Cooling Full	80	72	63	59	54	51	46	39	62	61
	Heating Part	75	71	63	59	52	48	44	40	61	61
	Heating Full	77	74	64	60	55	50	45	37	63	63
	FAN Only	73	63	61	55	51	49	44	42	58	58
<b>Ducted Discharge</b>	Cooling Part	92	78	67	69	68	66	64	59	74	73
	Cooling Full	97	83	72	72	73	70	69	64	78	77
	Heating Part	92	79	68	70	69	66	64	59	74	74
	Heating Full	96	82	73	73	74	70	69	64	79	78
	FAN Only	93	79	68	70	69	66	64	59	74	74



# Greensource<sup>™</sup> SM Series

## Residential Geothermal Heat Pumps



Blower Performance Data - Constant Torque High Efficiency Motor - Standard															
Models	Fan Speed	Rated Airflow	Factory setting	External Static Pressure (Inches of W.C.)											
				0.10	0.20	0.30	0.40	0.50	0.60	0.70	0.80	0.90	1.00	1.10	1.20
SM024	5	950		1154	1117	1077	1034	988	938	886	830	-	-	-	-
	4	825	FL	1072	1018	966	915	866	818	772	727	-	-	-	-
	3	725		976	920	867	815	766	719	674	631	-	-	-	-
	2	650	PL/Fan only	906	844	785	730	678	630	585	544	-	-	-	-
	1	500		829	750	676	610	551	498	451	412	-	-	-	-
SM036	5	1300		1506	1469	1430	1390	1347	1300	1249	1193	1130	1061	-	-
	4	1100	FL	1425	1326	1250	1191	1143	1100	1056	1006	942	860	-	-
	3	950		1354	1233	1138	1063	1002	950	901	850	791	719	-	-
	2	800	PL/Fan only	1294	1157	1041	946	866	800	744	696	653	611	-	-
	1	750		1213	1084	976	886	812	750	698	653	612	573		
SM048	5	1800		1950	1912	1880	1852	1826	1800	1771	1737	1695	1644	-	-
	4	1600	FL	1774	1738	1703	1669	1635	1600	1562	1521	1475	1423	-	-
	3	1400		1565	1526	1493	1463	1432	1400	1363	1319	1265	1199	-	-
	2	1300	PL/Fan only	1506	1469	1430	1390	1347	1300	1249	1193	1130	1061	-	-
	1	1100		1425	1326	1250	1191	1143	1100	1056	1006	942	860	-	-
SM060	5	2200		2476	2403	2338	2283	2237	2200	2172	2153	2142	2141	2149	2166
	4	2000	FL	2170	2135	2100	2066	2033	2000	1968	1937	1907	1877	1848	1819
	3	1800		1942	1914	1886	1858	1829	1800	1770	1741	1710	1680	1649	1617
	2	1600	PL/Fan only	1766	1729	1693	1660	1629	1600	1573	1548	1526	1505	1487	1470
	1	1400		1561	1520	1483	1451	1423	1400	1381	1366	1356	1350	1349	1352
SM070	5	2500		2723	2671	2622	2578	2537	2500	2467	2437	2412	2390	2372	2358
	4	2350	FL	2566	2529	2489	2446	2399	2350	2298	2242	2184	2122	2057	1990
	3	2100		2256	2230	2202	2171	2137	2100	2060	2017	1971	1922	1871	1816
	2	1850	PL/Fan only	2004	1975	1945	1915	1883	1850	1816	1781	1745	1708	1669	1630
	1	1600		1766	1728	1693	1660	1629	1600	1573	1548	1526	1505	1486	1470

**GreenSource**™ SM Series  
Residential Geothermal Heat Pumps



Blower Performance Data - Variable Speed Constant CFM High Efficiency Motor - Optional														
Models	Fan Speed	Rated Airflow	Adjust	Tap	External Static Pressure (Inches of W.C.)									
					0.10	0.20	0.30	0.40	0.50	0.60	0.70	0.80	0.90	1.00
SM024 Part Load	Hi	725	+	A	725	725	725	725	725	725	725	725	-	-
	Med	650	Normal	A	650	650	650	650	650	650	650	650	-	-
	Low	500	-	A	500	500	500	500	500	500	500	500	-	-
SM024 Full Load	Hi	950	+	A	950	950	950	950	950	950	950	950	-	-
	Med	825	Normal	A	825	825	825	825	825	825	825	825	-	-
	Low	725	-	A	725	725	725	725	725	725	725	725	-	-
SM036 Part Load	Hi	950	+	A	950	950	950	950	950	950	950	950	950	950
	Med	800	Normal	A	800	800	800	800	800	800	800	800	800	800
	Low	750	-	A	750	750	750	750	750	750	750	750	750	750
SM036 Full Load	Hi	1300	+	A	1300	1300	1300	1300	1300	1300	1300	1300	1300	1300
	Med	1100	Normal	A	1100	1100	1100	1100	1100	1100	1100	1100	1100	1100
	Low	950	-	A	950	950	950	950	950	950	950	950	950	950
SM048 Part Load	Hi	1400	+	A	1400	1400	1400	1400	1400	1400	1400	1400	1400	1400
	Med	1300	Normal	A	1300	1300	1300	1300	1300	1300	1300	1300	1300	1300
	Low	1100	-	A	1100	1100	1100	1100	1100	1100	1100	1100	1100	1100
SM048 Full Load	Hi	1800	+	A	1800	1800	1800	1800	1800	1800	1800	1800	1800	1800
	Med	1600	Normal	A	1600	1600	1600	1600	1600	1600	1600	1600	1600	1600
	Low	1400	-	A	1400	1400	1400	1400	1400	1400	1400	1400	1400	1400
SM060 Part Load	Hi	1800	+	A	1800	1800	1800	1800	1800	1800	1800	1800	1800	1800
	Med	1600	Normal	A	1600	1600	1600	1600	1600	1600	1600	1600	1600	1600
	Low	1400	-	A	1400	1400	1400	1400	1400	1400	1400	1400	1400	1400
SM060 Full Load	Hi	2200	+	A	2200	2200	2200	2200	2200	2200	2200	2200	2200	2200
	Med	2000	Normal	A	2000	2000	2000	2000	2000	2000	2000	2000	2000	2000
	Low	1800	-	A	1800	1800	1800	1800	1800	1800	1800	1800	1800	1800
SM070 Part Load	Hi	2100	+	A	2100	2100	2100	2100	2100	2100	2100	2100	2100	2100
	Med	1850	Normal	A	1850	1850	1850	1850	1850	1850	1850	1850	1850	1850
	Low	1600	-	A	1600	1600	1600	1600	1600	1600	1600	1600	1600	1600
SM070 Full Load	Hi	2500	+	A	2500	2500	2500	2500	2500	2500	2500	2500	2500	2500
	Med	2350	Normal	A	2350	2350	2350	2350	2350	2350	2350	2350	2350	2350
		2100	-	A	2100	2100	2100	2100	2100	2100	2100	2100	2100	2100

Antifreeze Correction							
Antifreeze Type	Antifreeze %	Cooling			Heating		WPD Correction Factor EWT 30 °F
		EWT 90 Deg.F			EWT 30 Deg. F		
		Total Cap.	Sens. Cap	Power	Htg. Cap	Power	
<b>Water</b>	0	1.000	1.000	1.000	1.000	1.000	1.000
<b>Propylene Glycol</b>	5	0.997	0.997	1.004	0.989	0.997	1.06
	10	0.994	0.994	1.006	0.986	0.995	1.125
	15	0.990	0.990	1.009	0.978	0.988	1.19
	25	0.983	0.983	1.016	0.960	0.979	1.3
<b>Methanol</b>	5	0.997	0.997	1.003	0.990	0.997	1.06
	10	0.996	0.996	1.005	0.979	0.993	1.1
	15	0.994	0.994	1.008	0.970	0.990	1.14
<b>Ethanol</b>	5	0.998	0.998	1.002	0.981	0.994	1.16
	10	0.996	0.996	1.004	0.960	0.988	1.23
	15	0.992	0.992	1.006	0.944	0.983	1.280
	25	0.986	0.986	1.009	0.917	0.974	1.4
<b>Ethylene Glycol</b>	5	0.997	0.997	1.003	0.993	0.998	1.06
	10	0.995	0.995	1.004	0.986	0.996	1.12
	15	0.992	0.992	1.005	0.980	0.993	1.19
	25	0.988	0.988	1.009	0.970	0.990	1.33
	30	0.985	0.985	1.012	0.965	0.987	1.4



Factory Installed Option - Cupro-Nickel Coil	
Model Number with Standard Copper Coil	Model Number with Cupro-Nickel Coil (To add this option to the product, change the model number 10TH Digit to an "N")
SM024-1CFC	SM024-1CFN
SM024-1HZC	SM024-1HZN
SM024-1VTC	SM024-1VTN
SM036-1CFC	SM036-1CFN
SM036-1HZC	SM036-1HZN
SM036-1VTC	SM036-1VTN
SM048-1CFC	SM048-1CFN
SM048-1HZC	SM048-1HZN
SM048-1VTC	SM048-1VTN
SM060-1CFC	SM060-1CFN
SM060-1HZC	SM060-1HZN
SM060-1VTC	SM060-1VTN
SM070-1CFC	SM070-1CFN
SM070-1HZC	SM070-1HZN
SM070-1VTC	SM070-1VTN

Order Number	SM024			SM036			SM048			SM060			SM070		
	VT	HZ	CF	VT	HZ	CF	VT	HZ	CF	VT	HZ	CF	VT	HZ	CF
8733903566	•		•												
8733903587				•		•									
8733903609							•		•						
8733903633										•		•			
8733903659													•		•
8733904191		•													
8733904192					•										
8733904193								•							
8733904194											•				
8733904195														•	

Factory Installed Option - Differential Pressure Switch															
Order Number	SM024			SM036			SM048			SM060			SM070		
	VT	HZ	CF	VT	HZ	CF	VT	HZ	CF	VT	HZ	CF	VT	HZ	CF
8733903076	•		•												
8733903173				•		•									
8733903273							•		•						
8733903373										•		•			
8733903478													•		•
8733904216		•													
8733904217					•										
8733904218								•							
8733904219											•				
8733904220														•	

Factory Installed Option - Heat Recovery Package (HWG)															
Order Number	SM024			SM036			SM048			SM060			SM070		
	VT	HZ	CF	VT	HZ	CF	VT	HZ	CF	VT	HZ	CF	VT	HZ	CF
8733903560	•														
8733903580				•											
8733903602							•								
8733903624										•					
8733903650													•		
8733904044			•												
8733904069						•									
8733904070									•						
8733904071												•			
8733904072															•
8733904128		•													
8733904129					•										
8733904130								•							
8733904131											•				
8733904132														•	

**GreenSource** SM Series  
Residential Geothermal Heat Pumps



Factory Installed Option - Hot Gas Reheat															
Order Number	SM024			SM036			SM048			SM060			SM070		
	VT	HZ	CF	VT	HZ	CF	VT	HZ	CF	VT	HZ	CF	VT	HZ	CF
8733903561	•	•	•												
8733903581				•											
8733903603							•								
8733903625										•					
8733903651													•		
8733904074						•									
8733904075									•						
8733904076												•			
8733904077															•
8733904197					•										
8733904198									•						
8733904199												•			
8733904200														•	


Factory Installed Option - Electric Heaters for SM Vertical Units					
Kilowatt Heater - 208/230V	Order Number				
	SM024	SM036	SM048	SM060	SM070
Electric Heat - 3.6/4.8 kW	8733903584	8733903584	8733903584	8733903584	8733903584
Electric Heat - 7.8/9.6 kW		8733903585	8733903585	8733903585	8733903585
Electric Heat - 10.8/14.4 kW				8733903630	8733903630
Electric Heat - 14.4/19.2 kW				8733903631	8733903631

Factory Installed Option - Electric Heaters for SM Horizontal and CounterFlow / DownFlow Units					
Kilowatt Heater - 208/230V	Order Number				
	SM024	SM036	SM048	SM060	SM070
Electric Heat - 3.6/4.8 kW	8733903564	8733904035	8733904035	8733904035	8733904035
Electric Heat - 7.8/9.6 kW		8733904037	8733904037	8733904037	8733904037
Electric Heat - 10.8/14.4 kW				8733904475	8733904475
Electric Heat - 14.4/19.2 kW				8733904476	8733904476

Additional Factory Installed Options																
Description	Order Number	SM024			SM036			SM048			SM060			SM070		
		VT	HZ	CF	VT	HZ	CF	VT	HZ	CF	VT	HZ	CF	VT	HZ	CF
Sound Package	8733903563	•	•	•	•	•	•	•	•	•	•	•	•	•	•	•
Smart Start	8733903565	•	•	•	•	•	•	•	•	•	•	•	•	•	•	•
Pump Relay	8733903559	•	•	•	•	•	•	•	•	•	•	•	•	•	•	•
Comfort Alert	8733903562	•	•	•	•	•	•	•	•	•	•	•	•	•	•	•
4" Filter Rack	TBA	•	•	•	•	•	•	•	•	•	•	•	•	•	•	•

Bosch Thermotechnology Corporation  
Londonderry, NH • Ft. Lauderdale, FL

Field Installed Option - Internally Mounted Electric Heat Kits						
Model Number	Kilowatt Heater - 208/230V	Availability per Unit				
		SM024	SM036	SM048	SM060	SM070
HK050-1201	Electric Heat - 3.6/4.8 kW	●	●	●	●	●
HK100-1201	Electric Heat - 7.8/9.6 kW		●	●	●	●
HK150-1201	Electric Heat - 10.8/14.4 kW				●	●
HK200-1201	Electric Heat - 14.4/19.2 kW				●	●



**WARNING:**  
These electric heaters can only be installed in factory default blower configuration only.


Field Installed Option - Duct Mounted Electric Heaters 208/230V				
Kilowatt Heater - 208/230V	Part Number	Nominal Dimensions (inches)	Duct Flange Connection (Inches)	Min. CFM Required
Duct Heater 5 kW	7738000004	14 x 14	13.75 x 13.75	600
Duct Heater 5 kW	7738000005	14 x 16	13.75 x 13.75	600
Duct Heater 5 kW	7738000006	16 x 16	15.75 x 15.75	600
Duct Heater 5 kW	7738000007	18 x 18	17.75 x 17.75	600
Duct Heater 10 kW	7738000008	14 x 16	13.75 x 13.75	800
Duct Heater 10 kW	7738000009	16 x 16	17.75 x 17.75	800
Duct Heater 10 kW	7738000010	18 x 18	17.75 x 17.75	800
Duct Heater 15 kW	7738000011	18 x 18	17.75 x 17.75	1400
Duct Heater 20 kW	7738000012	18 x 18	17.75 x 17.75	2000



**It is recommended to use a seven (7) conductor cable for thermostat interface.**



**It is required for the duct mounted heater to have an independent power supply.**



**In fiber glass duct systems, a metal sleeve MUST be used to insert the support the heater.**

Field Installed Option - 2" MERV 11 Filters (Comes Standard with Unit)																
Order Number	Filter Size	SM024			SM036			SM048			SM060			SM070		
		VT	HZ	CF	VT	HZ	CF	VT	HZ	CF	VT	HZ	CF	VT	HZ	CF
Quantity Need per Unit																
575-053	16 X 30 X 2				2		2	2		2						
8733802470	18 X 18 X 2		2													
575-007	18 X 20 X 2										3			3		
575-010	20 X 24 X 2				2			2								
575-004	20 X 30 X 2									2		2	2		2	
575-008	24 X 24 X 2	1		1												


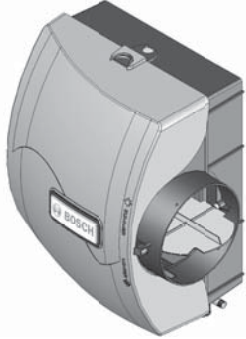
Field Installed Option - 2" MERV 6 Filters - Carbon Potassium Permanganate																
Order Number	Filter Size	SM024			SM036			SM048			SM060			SM070		
		VT	HZ	CF	VT	HZ	CF	VT	HZ	CF	VT	HZ	CF	VT	HZ	CF
Quantity Need per Unit																
7738002894	16 X 30 X 2				2		2	2		2						
7738002890	18 X 18 X 2		2													
7738003173	18 X 20 X 2										3			3		
7738002891	20 X 24 X 2				2			2								
7738002893	20 X 30 X 2									2		2	2		2	
7738002892	24 X 24 X 2	1		1												

Field Installed Option - 1" MERV 4 Filters (to be used with 1" Carbon Potassium Permanganate Filter Cascade)																
Order Number	Filter Size	SM024			SM036			SM048			SM060			SM070		
		VT	HZ	CF	VT	HZ	CF	VT	HZ	CF	VT	HZ	CF	VT	HZ	CF
Quantity Need per Unit																
7738003199	16 X 30 X 1				2		2	2		2						
570-008	18 X 18 X 1		2													
570-041	18 X 20 X 1										3			3		
570-042	20 X 24 X 1				2			2								
570-053	20 X 30 X 1									2		2	2		2	
570-054	24 X 24 X 1	1		1												

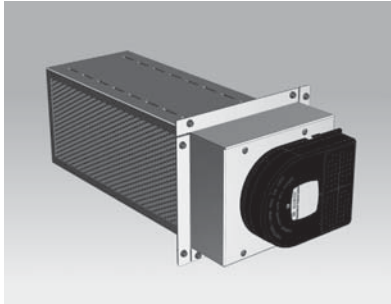


Field Installed Option - 1" MERV 6 Carbon - Potassium Permanganate Filter																
Order Number	Filter Size	SM024			SM036			SM048			SM060			SM070		
		VT	HZ	CF	VT	HZ	CF	VT	HZ	CF	VT	HZ	CF	VT	HZ	CF
Quantity Need per Unit																
7738002889	16 X 30 X 1				2		2	2		2						
7738002885	18 X 18 X 1		2													
7738003172	18 X 20 X 1											3			3	
7738002886	20 X 24 X 1					2			2							
7738002888	20 X 30 X 1										2		2	2		2
7738002887	24 X 24 X 1	1		1												

Field Installed Option - Swivel Connector Kit (two connectors per package)																
Order Number	Type and Size	SM024			SM036			SM048			SM060			SM070		
		VT	HZ	CF	VT	HZ	CF	VT	HZ	CF	VT	HZ	CF	VT	HZ	CF
Where Used																
7738003200	Male 3/4" NPT	•	•	•												
7738003201	Male 1" NPT				•	•	•	•	•	•	•	•	•	•	•	•

Field Installed Option - Bosch Humidifiers																	
 <p>HUMBSBP-12H6--A</p>	 <p>HUMBSBP-17H6--A</p>	<table border="1"> <thead> <tr> <th>Model/Order Number:</th> <td>7738002895</td> <td>7738002896</td> </tr> <tr> <th>Description:</th> <td>HUMBSBP12H6 -- A</td> <td>HUMBSBP17H6 -- A</td> </tr> <tr> <th>Features:</th> <td>Small Bypass Humidifier, Manual Summer/Winter Damper, Humidistat included</td> <td>Large Bypass Humidifier, Manual Summer/Winter Damper, Humidistat Included</td> </tr> <tr> <th>Application:</th> <td>12 Gallons per Day</td> <td>17 Gallons per Day</td> </tr> <tr> <th>Warranty:</th> <td colspan="2" style="text-align: center;">5 Year Limited Warranty</td> </tr> </thead> </table>	Model/Order Number:	7738002895	7738002896	Description:	HUMBSBP12H6 -- A	HUMBSBP17H6 -- A	Features:	Small Bypass Humidifier, Manual Summer/Winter Damper, Humidistat included	Large Bypass Humidifier, Manual Summer/Winter Damper, Humidistat Included	Application:	12 Gallons per Day	17 Gallons per Day	Warranty:	5 Year Limited Warranty	
Model/Order Number:	7738002895	7738002896															
Description:	HUMBSBP12H6 -- A	HUMBSBP17H6 -- A															
Features:	Small Bypass Humidifier, Manual Summer/Winter Damper, Humidistat included	Large Bypass Humidifier, Manual Summer/Winter Damper, Humidistat Included															
Application:	12 Gallons per Day	17 Gallons per Day															
Warranty:	5 Year Limited Warranty																

**Field Installed Option - Bosch Photo Catalytic Oxidizer (PCO)**



<b>Model/Order Number:</b>	7738002879	7738002880
<b>Description:</b>	PCOB - 09012 - 0 - - A	PCOB - 14024 - 0 - - A
<b>Features:</b>	9" UVC Light Bulb	14" UVC Light Bulb
<b>Application:</b>	up to 1500 CFM units or House up to 2000 sq. ft.	up to 2400 CFM units or House up to 4700 sq. ft.
<b>Warranty:</b>	1 Year Limited Warranty Bulb, 5 Year Limited Warranty on Assembly	

**Field Installed Option - Bosch Fresh Air Damper (FAD)**



<b>Model/Order Number:</b>	7738002927	7738002928	7738002929
<b>Description:</b>	FADB - 04007 - 6 - - A	FADB - 050011 - 6 - - A	FADB - 060015 - 6 - - A
<b>Size</b>	4" Fresh Air Damper	5" Fresh Air Damper	6" Fresh Air Damper
<b>Features:</b>	<ul style="list-style-type: none"> <li>- Variable Capacity Control (settings from 0 to 100 of available CFM)</li> <li>- Variable Position Damper</li> <li>- Included Variable Position Control Included</li> <li>- Vent Hood with Screen Included</li> </ul>		
<b>Application:</b>	A minimum of 70 CFM of fresh air from outside up to 1300 sq. ft. home	A minimum of 110 CFM of fresh air from outside up to 2100 sq. ft. home	A minimum of 150 CFM of fresh air from outside up to 3000 sq. ft. home
<b>Warranty:</b>	5 Year Limited Warranty on Assembly		