

Specifications

PFXPG SERIES Dual Scale Pressure Gauge



Product Features

- Accuracy : $\pm 2.5\%$ of span (grade B ANSI B40.1)
- 1/4" NPT brass connection (lower mount)
- Black corrosion-resistant paint steel case with flat glass window
- Dual scale: 0-100psi/0-700kpa
- Bourdon tube style
- Operating temperature: Ambient: -4 °F to 140 °F (-20 °C to 60 °C)
Media: Max. 158 °F (70 °C)
- Low lead compliant
- Liquid filled additional features (PFXPGLF100K):
300 Series stainless steel, with removable nipple for venting, pressure relief and liquid-fill access standard liquid Glycerin



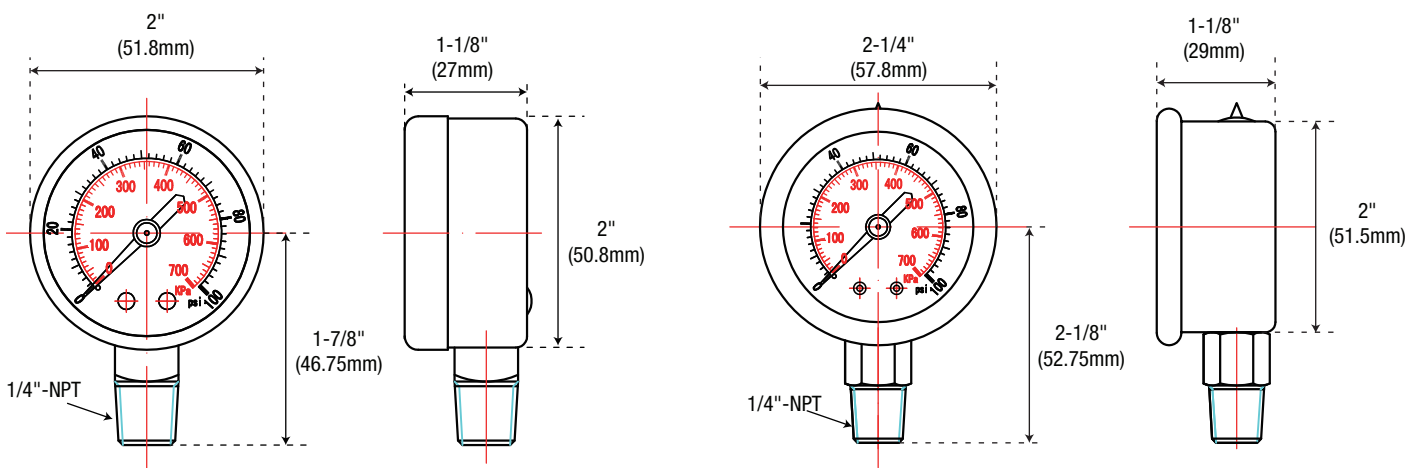
PFXPG100K

For use with air, gas or water applications and medium that will not clog the connection port or corrode the copper alloy (examples: hydraulic and pneumatic systems, pumps, compressors, water systems and regulator).

Model Numbers:

- PFXPG100K 2" Pressure gauge 0-100psi/0-700kpa
PFXPGLF100K 2" Liquid filled gauge 0-100psi/0-700kpa

Product Specifications



Dual Scale PFXPG100K

Liquid Filled PFXPGLF100K

Warranty and Codes

This product comes complete with installation, operating, care and maintenance instructions.
This PROFLO product carries a 1-year limited warranty.

