

MURRO™ UNIVERSAL DESIGN WALL-HUNG LAVATORY

- Vitreous china
- Rear overflow
- Recessed self-draining deck
- For concealed arm or wall support
- Shown with optional vitreous china shroud/
knee contact guard 0059.020 available

- 0954.000** Faucet holes on 102mm (4") Ctrs (Illustrated)
- 0954.023** Faucet holes on 102mm (4") Ctrs
 - Extra right-hand hole
- 0954.021** Faucet holes on 102mm (4") Ctrs
 - Extra left-hand hole
- 0958.000** Faucet holes on 203mm (8") Ctrs
- 0955.000** Center hole only
- 0955.023** Center hole
 - Extra right-hand hole
- 0955.021** Center hole
 - Extra left-hand hole

Nominal Dimensions:

559mm (22") deep, 540mm (21-1/4") wide

Bowl sizes:

394mm (15-1/2") wide, 343mm (13-1/2") front to back, 127mm (5") deep

- 0059.020 Shroud/Knee Contact Guard**
(Vitreous China) (Must be specified separately)

Compliance Certifications -

Meets or Exceeds the Following Specifications:

- ASME A112.19.2 for Vitreous China Fixtures

To Be Specified:

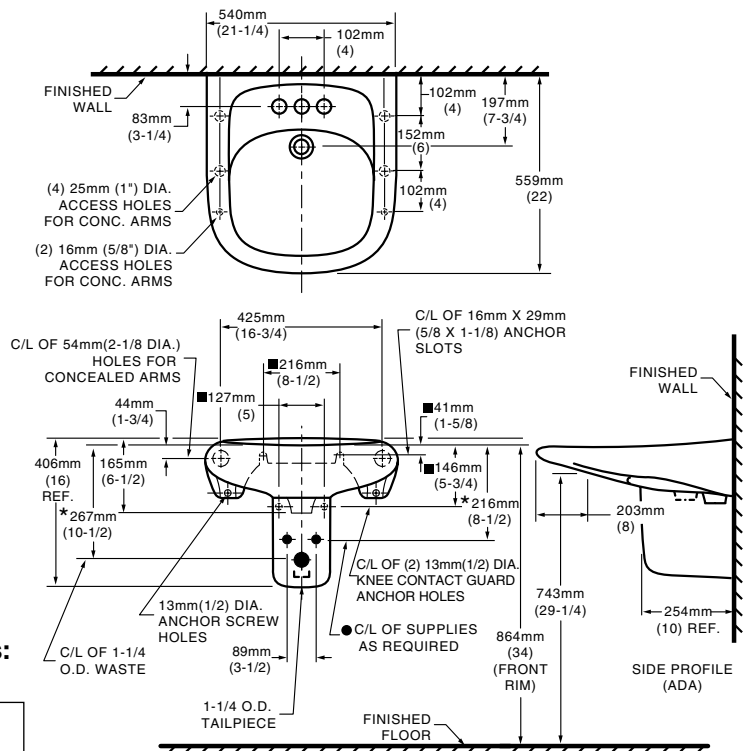
- Color: White Bone Silver
- Optional Vitreous China Shroud/Knee Contact guard: 0059.020
- Faucet*:
- Faucet Finish:
- Supplies:
- 1-1/4" Trap:
- Nipple:

* See faucet section for additional models available

MEETS THE AMERICANS WITH DISABILITIES ACT GUIDELINES AND ANSI A117.1 ACCESSIBLE AND USABLE BUILDINGS AND FACILITIES - CHECK LOCAL CODES.

Top of front rim mounted 864mm (34") from finished floor.

For Universal Design Options, top of rim may be mounted at 813mm (32") from finished floor to meet ADA and ANSI A117.1 requirements. Check local codes.

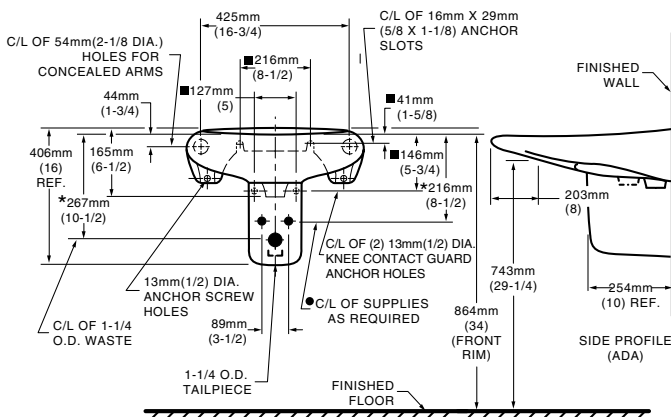
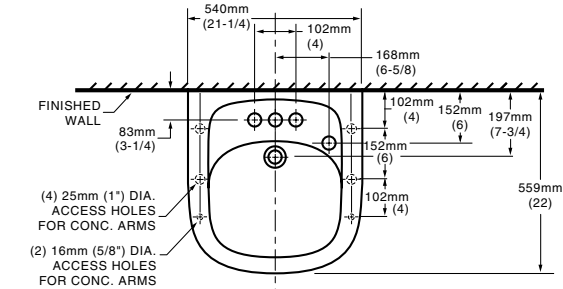


SEE REVERSE FOR ADDITIONAL ROUGHING-IN DIMENSIONS

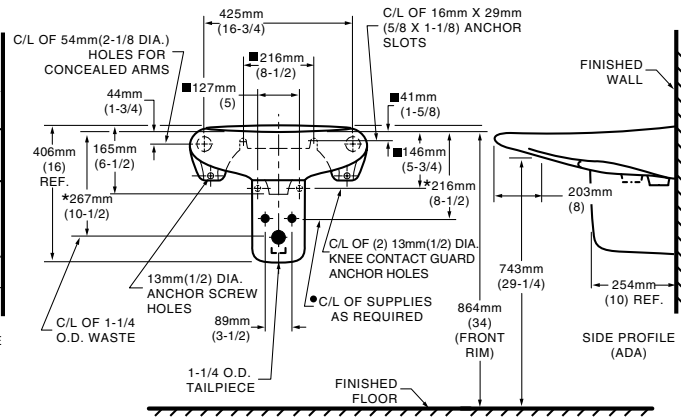
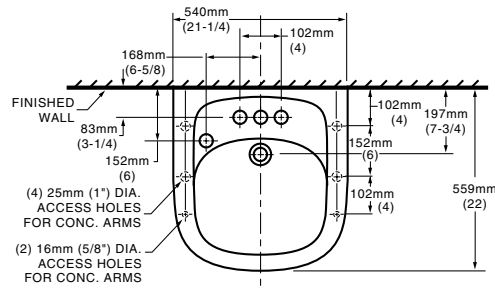
NOTES:

- LOOSE KEY ANGLE STOPS, LESS WALL ESCUTCHEONS. SUPPLIES REQUIRED.
- * DIMENSIONS SHOWN FOR LOCATION OF SUPPLIES AND "P" TRAP ARE SUGGESTED.
- SUITABLE FOR REINFORCEMENT ONLY, ACTUAL DIMENSIONS MUST BE TAKEN FROM FIXTURE.
- FITTINGS NOT INCLUDED AND MUST BE ORDERED SEPARATELY. PROVIDE SUITABLE REINFORCEMENT FOR ALL WALL SUPPORTS. INSTALLATION INSTRUCTIONS SUPPLIED WITH LAVATORY.
- IMPORTANT:** Dimensions of fixtures are nominal and may vary within the range of tolerances established by ANSI Standard A112.19.2. These measurements are subject to change or cancellation. No responsibility is assumed for use of superseded or voided pages.

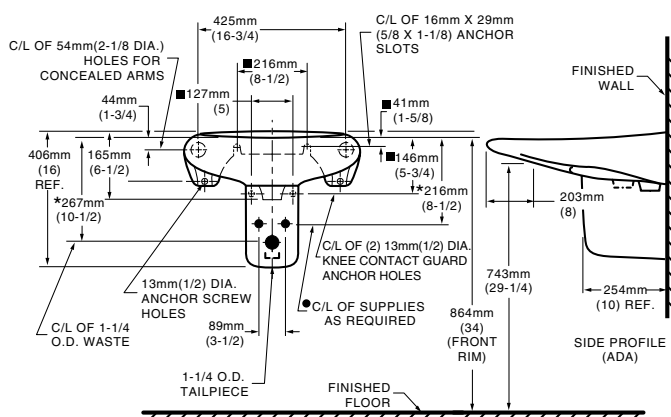
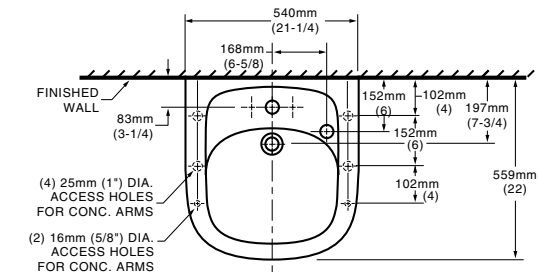
0954.023 4" Ctrs Extra Right Hand Hole



0954.021 4" Ctrs Extra Left Hand Hole



0955.023 Center Hole With Extra Right Hand Hole



0955.021 Center Hole With Extra Left Hand Hole

