

OLD STYLE
Manufactured 1972-April 2013

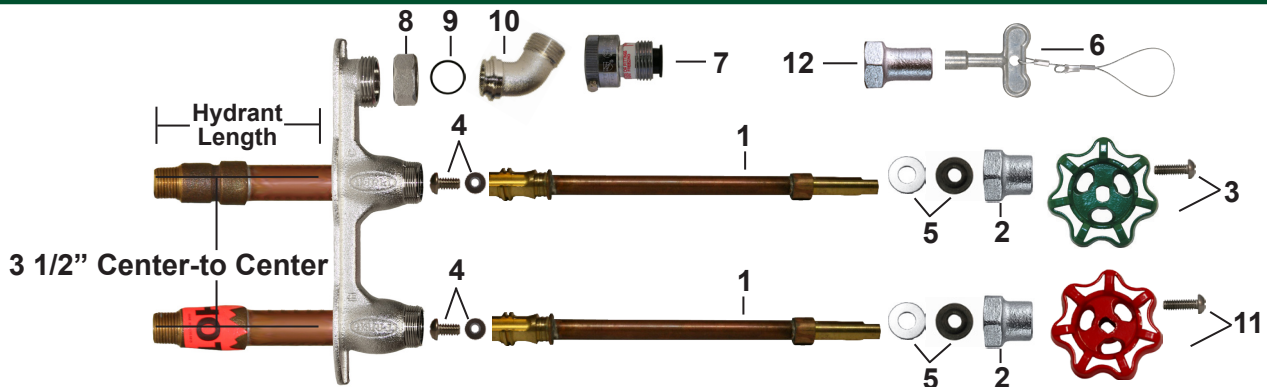


4515 East 139th Street
 Grandview, MO 64030
 (800) 362-9055
 Fax (800) 362-1463
 www.PRIER.com

C-108/208 Hot & Cold Wall Hydrant



- Freezeless
- Hot & Cold Mixing
- Anti-Siphon



ID	Part No.	Description	ID	Part No.	Description
1	See Below	Stem Assembly, Contains: 1, 4	8	300-0030	Hose Thread Nut
2	300-1008	Valve Stem Cap	9	336-0005	O-Ring for Hose Thread Adapter
3	C-134KT-805	Oval Handle and Screw Kit	10	300-0029	Hose Thread Adapter
4	C-134KT-802	Seat Washer Kit (00 Beveled)	11	C-108KT-805	Red Handle and Screw Kit
5	C-134KT-803	Stem Packing Kit	12	310-1015	Loose Key Valve Stem Cap
6	C-108KT-808	Loose Key on Lanyard		C-134KT-804	Loose Key Conversion Kit, Contains: 5, 6, 12
7	P-003CP	Replacement Vacuum Breaker			



E Style Manufactured 1972 - April 2013

Part No.	Style	Stem Length	Description
P-231-02CC	E	5 ¹¹ / ₃₂ " OAL	Close Coupled Stem for C-108 Hydrant
P-231-0204	E	7 ¹⁹ / ₃₂ " OAL	Stem for C-108 Hydrant
P-231-0206	E	9 ¹⁹ / ₃₂ " OAL	Stem for C-108 Hydrant
P-231-0208	E	11 ¹⁹ / ₃₂ " OAL	Stem for C-108 Hydrant
P-231-0210	E	13 ¹⁹ / ₃₂ " OAL	Stem for C-108 Hydrant
P-231-0212	E	15 ¹⁹ / ₃₂ " OAL	Stem for C-108 Hydrant
P-231-0214	E	17 ¹⁹ / ₃₂ " OAL	Stem for C-108 Hydrant
P-231-0216	E	19 ¹⁹ / ₃₂ " OAL	Stem for C-108 Hydrant
P-231-0218	E	21 ¹⁹ / ₃₂ " OAL	Stem for C-108 Hydrant
P-231-0220	E	23 ¹⁹ / ₃₂ " OAL	Stem for C-108 Hydrant
P-231-0222	E	25 ¹⁹ / ₃₂ " OAL	Stem for C-108 Hydrant
P-231-0224	E	27 ¹⁹ / ₃₂ " OAL	Stem for C-108 Hydrant
P-231-02US	E	Up to 16 ¹⁹ / ₃₂ " OAL	*Universal Replacement Stem for C-108 Hydrant

PRIER Universal Stems are replacement stems for any size from Close Coupled to 14". They require cutting the rod to proper length and soldering the brass stem end to the rod as directed in instructions.

Replacement Parts and Stems