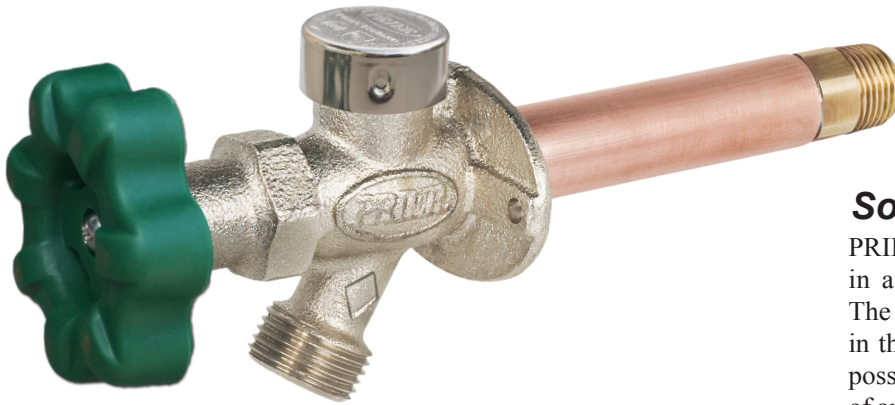




Build With Purpose

P-164/264 Series Freezeless Wall Hydrant



Soft Grip Handle

PRIER P-164 provides a year round source of water in areas that are subject to freezing temperatures. The hydrant valve is connected to the supply piping in the heated portion of the structure, eliminating the possibility of freezing. The P-164 has the added benefit of an easy quarter turn operation that features a proven compression type seal. Additionally, the P-164 features a soft grip operating handle for easy operation in wet conditions and cold weather.

Ordering the P-264 gives you the same style hydrant but with a vandal proof extended lockshield and operating key. It is available from stock in lengths close coupled to 24", longer sizes are available on request.



P-264 Loose Key Design

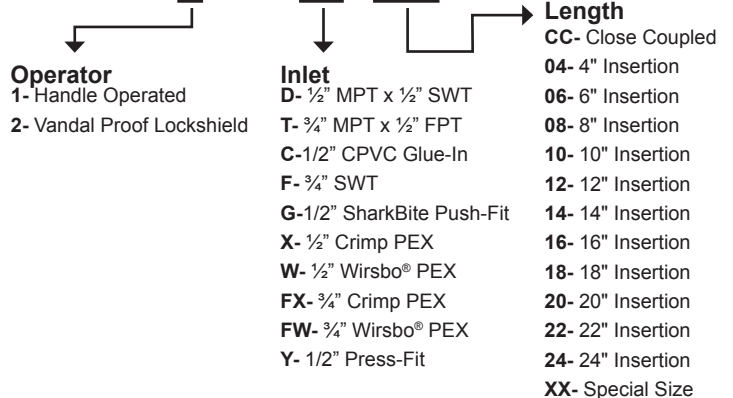
- Residential
- Freezeless
- Anti-Siphon
- Backflow Check Valve

FEATURES

- Anti-siphon aluminum vacuum breaker with EPDM backflow preventer and backflow check valve
- Quarter-turn soft-grip coated cast aluminum handle
- Wide and enclosed screw holes easily secure mounting screws
- Integral cast flange with built-in drainage pitch
- Solid brass body, valve stem cap, seat and stem ends
- Satin nickel plated body maintains attractive finish
- Stainless steel screws
- Lock shield cap
- AFG teflon with graphite packing for easy maintenance
- Standard "OO" size seat washer
- Each valve air-tested at factory for leak-free quality
- Spout aligning mark with manufacturer's date code

ORDERING

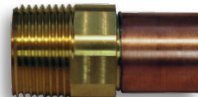
P-164D10



INLET STYLES



D Style
1/2" MPT x 1/2" SWT



T Style
3/4" MPT x 1/2" FPT



C Style
1/2" CPVC Glue-In



F Style
3/4" SWT



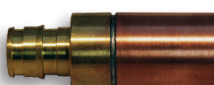
G Style
1/2" SharkBite Push-Fit



Y Style
1/2" Press-Fit



X Style
1/2" Crimp PEX



W Style
1/2" Wirsbo® PEX



FX Style
3/4" Crimp PEX



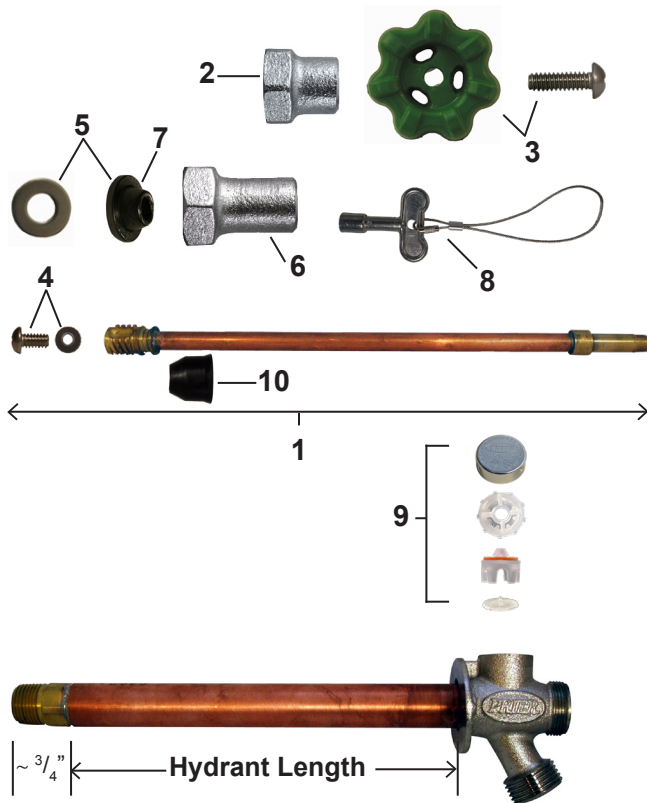
FW Style
3/4" Wirsbo® PEX

4515 E. 139th Street Grandview, MO 64030 | (800) 362-9055 | PRIER.com

*Per ASSE 1019 Code, do not leave on for more than 12 continuous hours.

P-164-O

P-164/264 REPLACEMENT PARTS



ID	Part No.	Description
1	See Replacement Stem Section	Stem Assembly, Contains: 1, 4, 10
2	300-1008	Valve Stem Cap
3	P-164KT-805	Oval Handle and Screw Kit
4	C-134KT-802	Seat Washer Replacement Kit (00 Beveled)
5	C-134KT-803	Stem Packing Replacement Kit
6	310-1015	Valve Stem Cap for Loose Key
7	390-1001	Stem Packing Only
8	C-108KT-808	Oval Style Key on Lanyard
9	C-144KT-806	Universal Vacuum Breaker Replacement Kit
10	336-0002	Backflow Check Valve for P-164
	C-134KT-804	Handle to Loose Key Conversion Kit Contains: 5,6,8
	P-264KT-804	Loose Key to Handle Conversion Kit Contains: 2, 3, 5
	P-164KT-807	P-164 Overhaul Kit Contains: 3, 4, 5, 9, 10

*The C-144KT-806 Universal Vacuum Breaker Kit fits all current and past PRIER and Mansfield style residential hydrants.

REPLACEMENT STEMS



H Style Manufactured April 2013 - Present

Part No.	Style	Stem Length	Description
P-231-15CC	H	4 1/2" OAL	Close Coupled Stem for P-164 Hydrant
P-231-1504	H	7" OAL	Stem for P-164 Hydrant
P-231-1506	H	9" OAL	Stem for P-164 Hydrant
P-231-1508	H	11" OAL	Stem for P-164 Hydrant
P-231-1510	H	13" OAL	Stem for P-164 Hydrant
P-231-1512	H	15" OAL	Stem for P-164 Hydrant
P-231-1514	H	17" OAL	Stem for P-164 Hydrant
P-231-1516	H	19" OAL	Stem for P-164 Hydrant
P-231-1518	H	21" OAL	Stem for P-164 Hydrant
P-231-1520	H	23" OAL	Stem for P-164 Hydrant
P-231-1522	H	25" OAL	Stem for P-164 Hydrant
P-231-1524	H	27" OAL	Stem for P-164 Hydrant
P-231-15US	H	Up to 17" OAL	*Universal Replacement Stem for P-164 Hydrant

**For stems manufactured before 2013, see P-164 Series retired style spec sheet at PRIER.com. PRIER universal stems are replacement stems for any size from close coupled to 14." The P-231-15US Universal Stem requires cutting the rod to proper length and soldering the brass stem end to the rod as directed in instructions.

4515 E. 139th Street Grandview, MO 64030 | (800) 362-9055 | PRIER.com

*Per ASSE 1019 Code, do not leave on for more than 12 continuous hours.