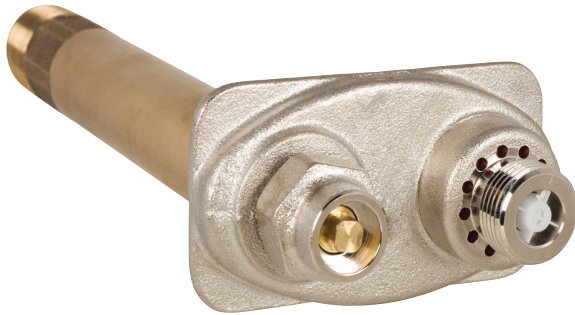




# C-634 Heavy Commercial Wall Hydrant

MasterSpec®



- Anti-Siphon
- Freezeless
- Commercial / Industrial
- Double Backflow Check Valve

## With Integral P-004 Vacuum Breaker

PRIER C-634 provides a year round source of water to areas that are subject to freezing temperatures. The hydrant valve is connected to the supply piping in the heated portion of the structure, eliminating the possibility of freezing. To assure freeze protection, the hydrant will drain even with the hose attached and under pressure.

The integral vacuum breaker/backflow preventer provides protection against cross-connection with the potable water system, utilizing 2 check valves to prevent back pressure and a vacuum breaker to vent in the case of siphonage. This commercial wall hydrant is key operated, code approved, and flows up to 16 GPM. A removable operating key is provided to prevent unauthorized usage of the hydrant. No special installation tools are required.

## FEATURES

- Field testable as required by ASSE 1052, pressure rated to 125 PSI, temperature to 140°
- Satin nickel plated body maintains an attractive finish
- Multiple vent holes ensure proper draining and reduce problems associated with insect nesting
- Patented PRIER "triple seal" positive shutoff system offers triple redundancy to assure shutoff
- High flow rate, 16 gallons per minute at 25 PSI differential
- Same key operates box lock and hydrant
- Tested to 250,000 cycles; designed to last the life of the plumbing system
- Heavy pattern cast brass hydrant for use with or without brass box or aluminum box
- Heavy duty brass piping, significantly stronger than copper, with threaded and sealed joints
- Simple, solderless design and solid non-ferrous operating rod for long wear life
- Design enables valve to be easily secured to any type of inner wall, utilizing the provided clamping ring
- Integral 3/8"-16 mounting lugs on box provide easy and secure installation.
- Round Box (RB1) installs through 6" hole or 6" Schedule 40 PVC sleeve
- Patented PRIER quick opening and modulating design requires less force and fewer turns to operate
- Gasket prevents water and air intrusion into the building

## ORDERING

### Wall Hydrant Only

# C-634N10

#### Hose Thread Outlet

- 4- 3/4" Garden Hose
- 6- 1" Hose

#### Inlet

- N- 1" MPT x 3/4" FPT
- P- 1" Male SWT x 3/4" Female SWT
- V- 3/4" Copper-Press Fitting Ready

#### Length

- 04- 4" Insertion
- 06- 6" Insertion
- 08- 8" Insertion
- 10- 10" Insertion
- 12- 12" Insertion
- 14- 14" Insertion
- 16- 16" Insertion
- 18- 18" Insertion
- 20- 20" Insertion
- 22- 22" Insertion
- 24- 24" Insertion
- XX- Special Size



### Optional Hydrant Box

# C-634BX1

#### Box Finish

- BX1- Satin Nickel Plated
- BX2- Rough Brass
- BX3- Aluminum
- RB1- Round Box (Satin Nickel Plated)



**C-634 Gasket**  
Included with C-634 hydrant boxes



BX1



BX2

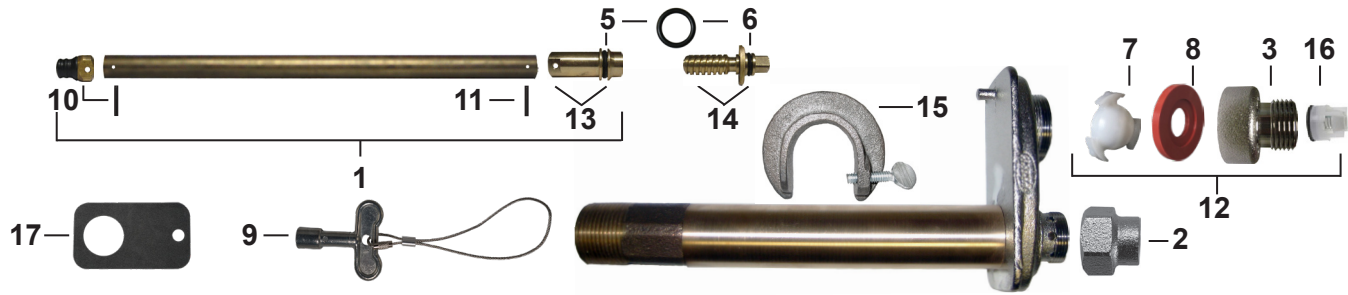


BX3



RB1

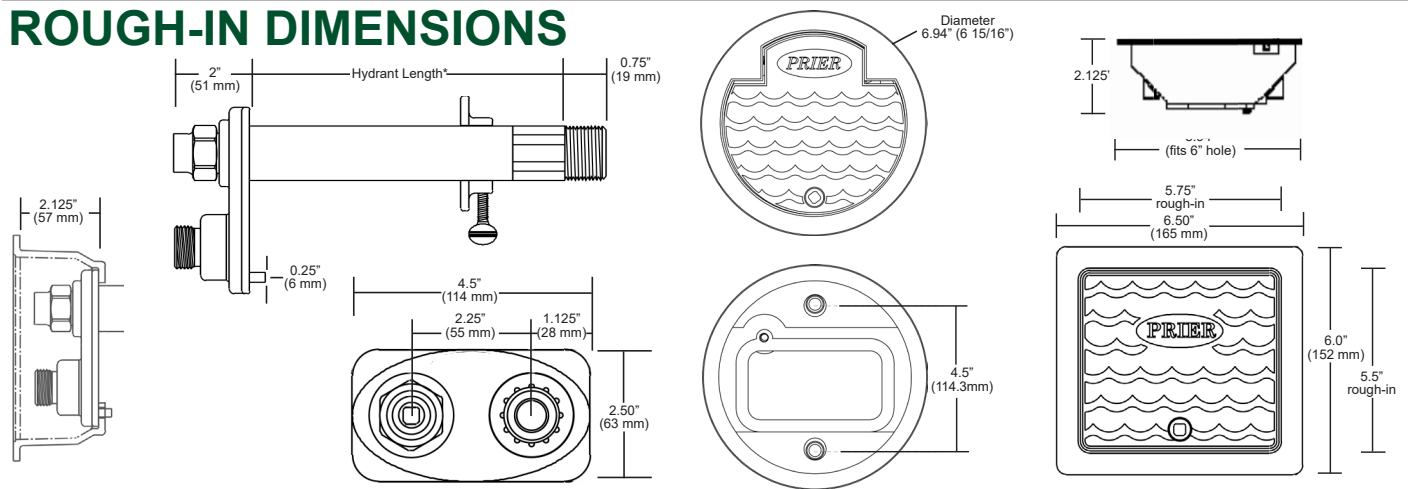
# C-634 REPLACEMENT PARTS AND STEMS



ID	Part No.	Description	ID	Part No.	Description
1	See Below	Stem Assembly, Contains: 5, 6, 10, 11, 13	5	336-0001	O-Ring Worm Sleeve
	P-231-0604	Stem for 4" C-634 Hydrant, 4 11/16" OAL	6	336-6001	O-Ring Worm Drive
	P-231-0606	Stem for 6" C-634 Hydrant, 6 11/16" OAL	7	337-6001	Check Spider-Vacuum Breaker
	P-231-0608	Stem for 8" C-634 Hydrant, 8 11/16" OAL	8	346-6001	Diaphragm-Vacuum Breaker
	P-231-0610	Stem for 10" C-634 Hydrant, 10 11/16" OAL	9	C-108KT-808	Loose Key on Lanyard
	P-231-0612	Stem for 12" C-634 Hydrant, 12 11/16" OAL	10	C-634KT-802	Stopper Kit, Includes Stopper and Pin, Contains: 5, 10
	P-231-0614	Stem for 14" C-634 Hydrant, 14 11/16" OAL	11	324-0004	Pin Only
	P-231-0616	Stem for 16" C-634 Hydrant, 16 11/16" OAL	12	C-634KT-806	Vacuum Breaker Assembly
	P-231-0618	Stem for 18" C-634 Hydrant, 18 11/16" OAL	13	C-634KT-808	Worm Sleeve with O-Ring, Pin and Tool
	P-231-0620	Stem for 20" C-634 Hydrant, 20 11/16" OAL	14	C-634KT-809	Worm Drive Assembly with O-Ring
	P-231-0622	Stem for 22" C-634 Hydrant, 22 11/16" OAL	15	C-634WCR	Wall Clamping Ring
	P-231-0624	Stem for 24" C-634 Hydrant, 24 11/16" OAL	16	399-0001	Secondary Check for ASSE 1052
2	300-6003	Valve Stem Cap (NP Brass)	17	346-0004	C-634 Gasket
3	300-6004	3/4" Hose Piece (NP Brass)		C-634KT-807	C-634 Overhaul Kit, Contains: 9, 10, 11, 12, 13, 14
	310-6009	1" Hose Piece for C-636 (NP Brass)			

\*\*For the **old style C-634 Series** wall hydrant stems, see C-634 Series retired style spec sheet at [PRIER.com](http://PRIER.com).

## ROUGH-IN DIMENSIONS



## SPECS

Furnish and install Model C-634 Heavy Commercial Wall Hydrant manufactured by PRIER Products, Inc. Hydrant shall be surface mount and installed through 1 3/8" round opening. Hydrant shall have automatic draining capabilities with integral vacuum breaker/double backflow preventor. Hydrant shall flow 16 gallons per minute minimum at 25 PSI Differential and be at full flow in 2 handle rotations. Hydrant shaft shall be brass with connections. Hydrant shall have 3/4" or 1" (choose one) hose connection with freezeless water flow and self-draining functions, one piece valve plunger, satin nickel finish, brass operating rod with positive triple seal shutoff mechanism. Hydrant shall be approved under ASSE 1052 standard. Operating key & wall clamping ring to be furnished with each hydrant. Hydrant insertion length to be  $\frac{1}{2}$  inches. (Length minimum of 4" to choice length in 2" increments.)

Optional: Furnish and install flush-mount hydrant box for each valve. Hydrant box shall be manufactured of solid cast brass or aluminum with a rough brass, satin nickel plated brass or aluminum (choose one) finish. Box shape may be round or square and round box only comes with satin nickel finish. Box may be installed separately and hydrant be insertable and removable from front of the box. Access to the hydrant box shall be provided by the same operating key as the valve. A gasket shall be installed between the box and hydrant to prevent water intrusion into the structure.