



Build With Purpose

C-108/208 Hot & Cold Wall Hydrant



Vertical or Horizontal Installation

PRIER C-108 provides a year round source of tempered water in areas that are subject to freezing temperatures. The hydrant valve is connected to the supply piping in the heated portion of the structure, eliminating the possibility of freezing. Unique to its patented design, the same product can be installed horizontally or vertically. Ordering the C-208 gives you the same style hydrant but with vandal proof extended lockshields with operating key on both hot and cold stems.

The PRIER C-108 has all the characteristics of the historically proven C-134 with the added protection of a self-draining anti-siphon vacuum breaker and backflow check valve. It is available from stock in lengths from close coupled to 24". Longer sizes are available on request.



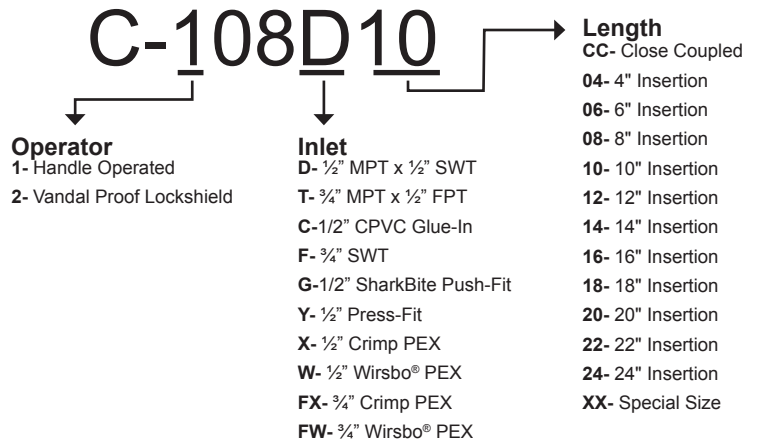
C-208 Loose Key Design

- Residential
- Freezeless
- Anti-Siphon
- Hot & Cold Mixing

FEATURES

- Horizontal or vertical installation options
- Anti-siphon aluminum vacuum breaker with EPDM back-flow preventer and backflow check valve
- Internal checks to prevent thermal migration
- Solid brass body, valve stem cap, seat and stem ends
- Satin nickel plated body maintains attractive finish
- Stainless steel screws
- Powder coated cast aluminum handle
- Lock shield cap
- AFG teflon with graphite packing for easy maintenance
- Standard "OO" size seat washer
- Each valve air-tested at factory for leak-free quality
- Spout aligning mark with manufacturer's date code

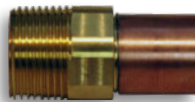
ORDERING



INLET STYLES



D Style
1/2" MPT x 1/2" SWT



T Style
3/4" MPT x 1/2" FPT



C Style
1/2" CPVC Glue-In



F Style
3/4" SWT



G Style
1/2" SharkBite Push-Fit



Y Style
1/2" Press-Fit



X Style
1/2" Crimp PEX



W Style
1/2" Wirsbo® PEX



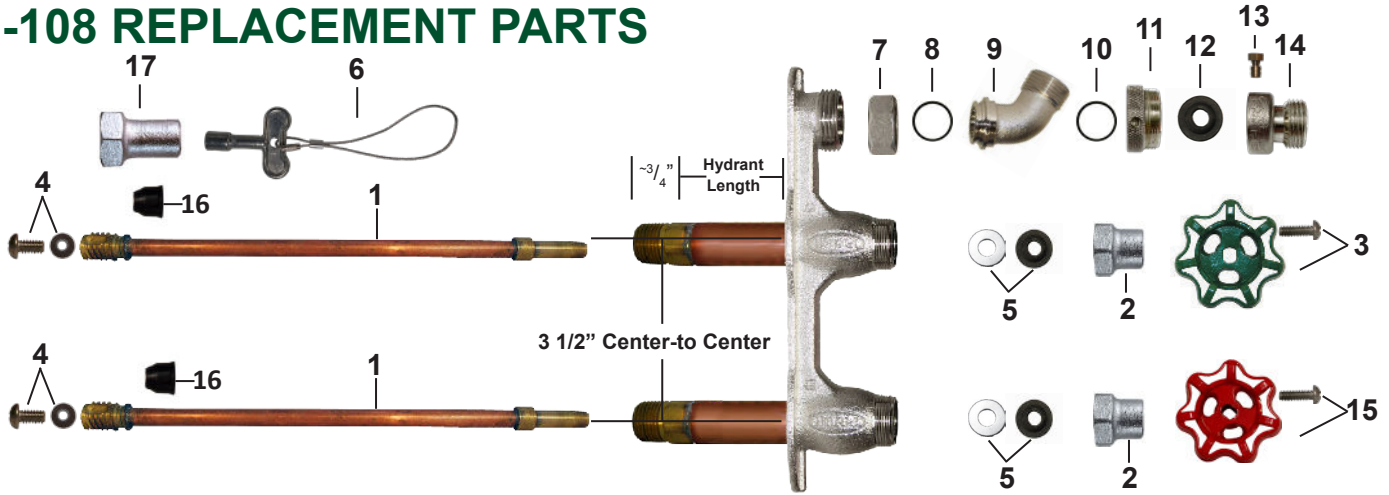
FX Style
3/4" Crimp PEX



FW Style
3/4" Wirsbo® PEX

4515 E. 139th Street Grandview, MO 64030 | (800) 362-9055 | PRIER.com

C-108 REPLACEMENT PARTS



| ID | Part No. | Description | ID | Part No. | Description |
|----|------------------------------|---|----|-------------|--|
| 1 | See Replacement Stem Section | Stem Assembly, Contains: 1, 4, 16 | 10 | 336-0007 | O-Ring for Vacuum Breaker |
| 2 | 300-1008 | Valve Stem Cap | 11 | 310-0053 | Vacuum Breaker Adapter |
| 3 | C-134KT-805 | Oval Handle and Screw Kit (Green) | 12 | 346-0006 | Washer for Vacuum Breaker |
| 4 | C-134KT-802 | Seat Washer Kit (00 Beveled) | 13 | 310-0047 | Set Screw |
| 5 | C-134KT-803 | Stem Packing Kit | 14 | 310-0052 | Hose Piece |
| 6 | C-108KT-808 | Loose Key on Lanyard | 15 | C-108KT-805 | Red Handle and Screw Kit |
| 7 | 300-0030 | Hose Thread Nut | 16 | 336-0002 | Backflow Check Valve for C-108 |
| 8 | 336-0005 | O-Ring for Hose Thread Adapter | | C-134KT-804 | Loose Key Conversion Kit, Contains: 5, 6, 17 |
| 9 | 300-0029 | Hose Thread Adapter | | C-234KT-804 | Key to Loose Handle |
| | 231-0008 | Vacuum Breaker Assembly, Contains: 10, 11, 12, 13, 14 | | | |

REPLACEMENT STEMS



G Style Manufactured April 2013 - Present

| Part No. | Style | Stem Length | Description |
|------------|-------|-------------------|---|
| P-231-12CC | G | 4 3/8" OAL | Close Coupled Stem for C-108 Hydrant |
| P-231-1204 | G | 6 7/8" OAL | Stem for C-108 Hydrant |
| P-231-1206 | G | 8 7/8" OAL | Stem for C-108 Hydrant |
| P-231-1208 | G | 10 7/8" OAL | Stem for C-108 Hydrant |
| P-231-1210 | G | 12 7/8" OAL | Stem for C-108 Hydrant |
| P-231-1212 | G | 14 7/8" OAL | Stem for C-108 Hydrant |
| P-231-1214 | G | 16 7/8" OAL | Stem for C-108 Hydrant |
| P-231-1216 | G | 18 7/8" OAL | Stem for C-108 Hydrant |
| P-231-1218 | G | 20 7/8" OAL | Stem for C-108 Hydrant |
| P-231-1220 | G | 22 7/8" OAL | Stem for C-108 Hydrant |
| P-231-1222 | G | 24 7/8" OAL | Stem for C-108 Hydrant |
| P-231-1224 | G | 26 7/8" OAL | Stem for C-108 Hydrant |
| P-231-02US | G | Up to 16 7/8" OAL | *Universal Replacement Stem for C-108 Hydrant |

**For stems manufactured before 2013, see C-108 Series retired style spec sheet at PRIER.com. PRIER universal stems are replacement stems for any size from close coupled to 14." The P-231-02US Universal Stem requires cutting the rod to proper length and soldering the brass stem end to the rod as directed in instructions.*