



# YH Freezeless Ground Hydrant



close-up view

- Freezeless
- Lockable
- Variable Flow
- Lead Free
- ADA Compliant

PRIER's YH Series Economy Freezeless Ground Hydrant provides a year round source of water to areas subject to freezing temperatures. The hydrant valve is connected to the supply piping below the frost line, and since it drains automatically, it is not subject to freezing.

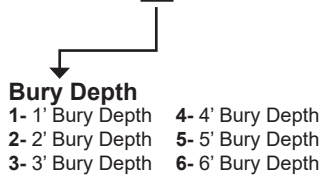
The YH Series Ground Hydrant contains a multiple bypass high flow valve body and a one piece plunger design. It is available in bury depths from 1' to 6' and it meets the 2014 Safe Drinking Water Act.

## FEATURES

- 3/4" FPT inlet connection
- Heavy duty cast iron head and handle
- Solid brass hose adapter
- Multiple bypass high flow valve body
- One piece plunger design
- Simple repair can be done at ground level
- YH model meets the 2014 Safe Drinking Water Act
- Extended spout with bucket holder
- Heavy duty galvanized steel pipe body
- High quality steel drawstraps
- Cam type operating lever
- Lead-Free certified by IAPMO to NSF / ANSI / CAN 372-2022 standards

## ORDERING

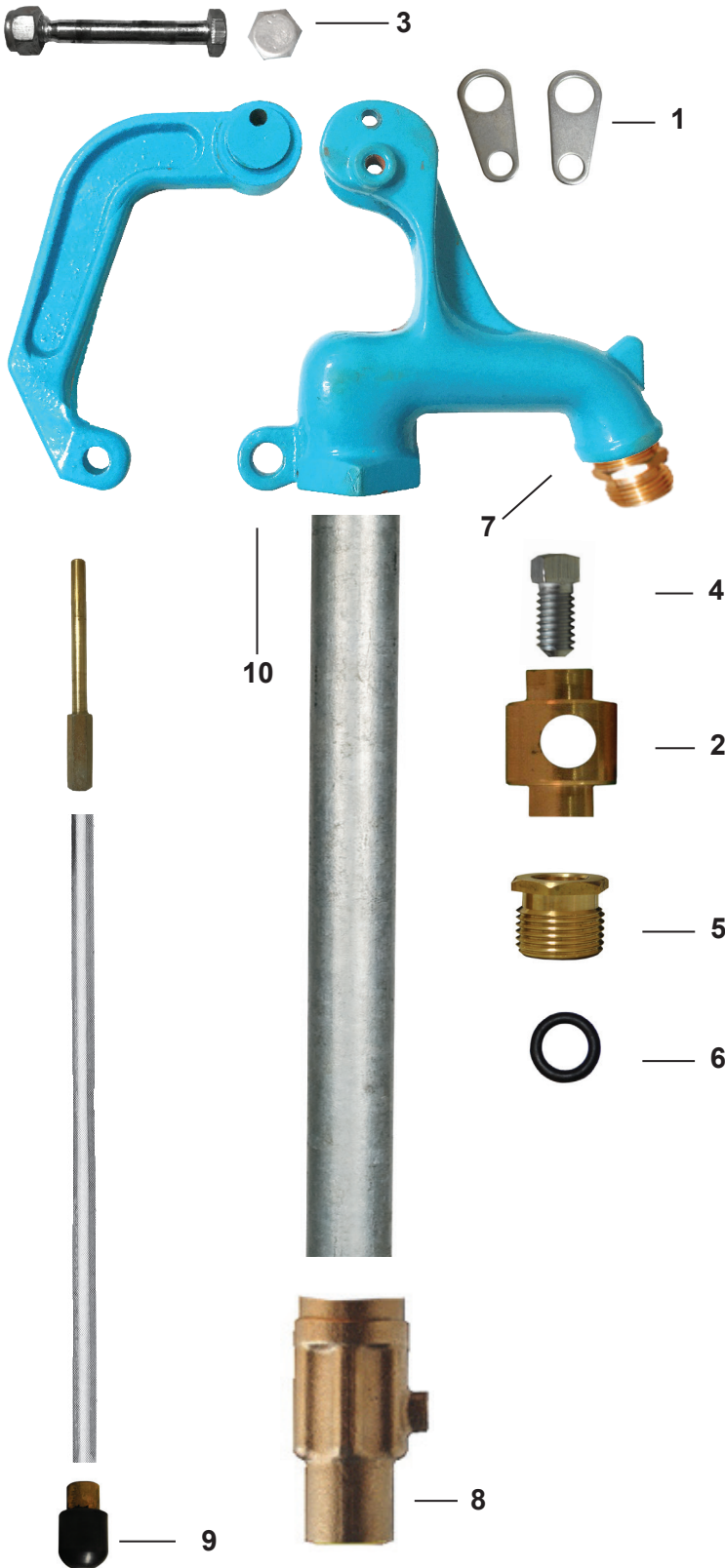
# YH-3



Part No.	Size	Overall Length	Weight Ea.
YH-1	1' Bury	39"	7 lbs
YH-2	2' Bury	51"	11 lbs
YH-3	3' Bury	63"	13 lbs
YH-4	4' Bury	75"	16 lbs
YH-5	5' Bury	87"	18 lbs
YH-6	6' Bury	99"	20 lbs



## YH REPLACEMENT PARTS



ID	Part No.	Description
1	324-3002	Draw Straps, Quantity 2 Required
2	310-3028	Pivot Connector
3	324-3003	Fulcrum Bolt and Nut
4	324-3004	Square Head Set Screw
5	310-3029	Packing Nut
6	336-3004	O-Ring Seal
7	310-3030	Hose Thread Adapter
8	300-0024	Valve Body
9	399-3004	Plunger
10	301-3001	Operating Handle (Dark Blue)
	630-9002	Repair Kit, Contains: 1, 2, 3, 4, 5, 6, 9
10	301-3002	Handle (Light Blue)