



**Dearborn®
Brass**

4675 W. 160th St.
Cleveland, Ohio 44135
Ph: (800) 321-9532
Fax: (800) 321-9535
www.dearbornbrass.com

SUBMITTAL SPECIFICATION

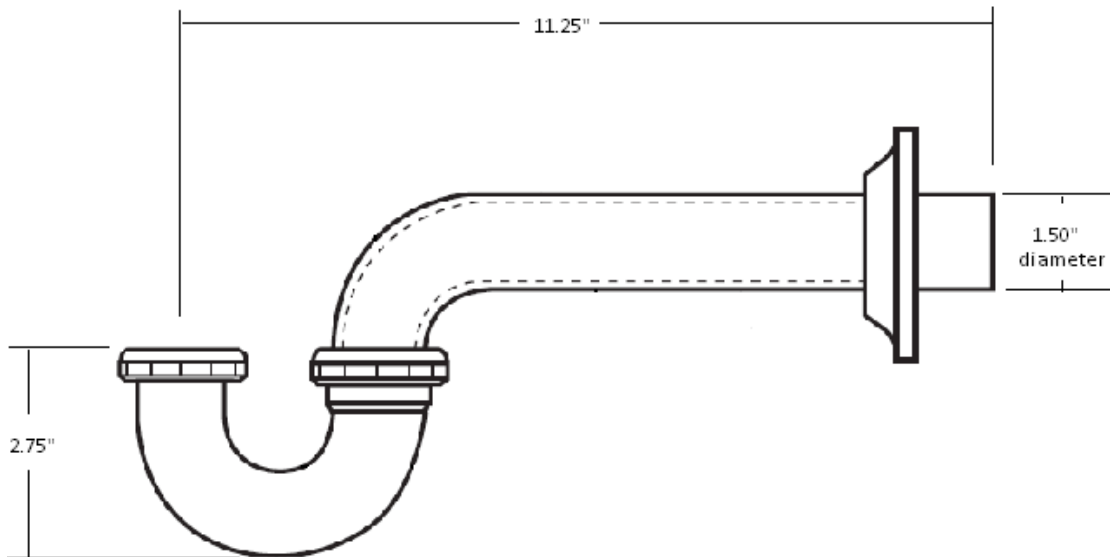
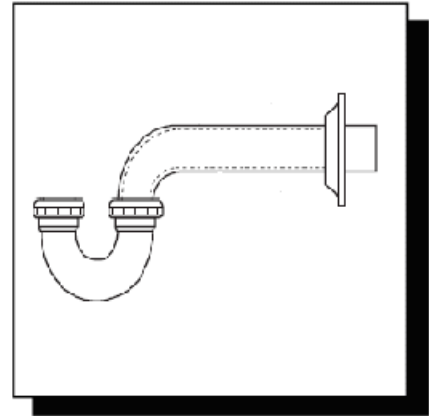
**BRASS TUBULAR
1-½" LOW-INLET P-TRAP**

Engineering Specification: Dearborn Brass 1-½" Brass Tubular Low-Inlet P-Traps are designed for use in tubular drain applications.

Job Reference

DESCRIPTION

- Chrome Finish
- 17 Gauge Brass
- Low-Inlet P-Trap
 - Low-Inlet J-Bend
 - Quarter Bend
 - Metal Flange
 - (2) Rubber Washers
 - (2) Zinc Nuts



✓	Product No.	Description	Carton Quantity	Carton Weight (lbs)
	714A-1	1-½" Low Inlet P-Trap – 17 Gauge	10	13

Data is subject to manufacturing tolerances.