

For Boiler Drain or Sill Cock Applications

Job Name _____

Contractor _____

Job Location _____

Approval _____

Engineer _____

Contractor's P.O. No. _____

Approval _____

Representative _____

LEAD FREE*

Series LFBD-QT Quarter-Turn Boiler Drains

Sizes: 1/2" - 3/4"

Series LFBD-QT quarter-turn boiler drains offer an innovative alternative to old-fashion multi-turn type boiler drains. These drains were developed to provide the speed and convenience of quarter-turn ball valve performance for boiler drain or sill cock applications.

For durability and extended length service, Series LFBD-QT uses a rugged forged brass body, adjustable Teflon® stem packing and rugged aluminum tee handles. For added utility, the 1/2" model features a dual-pattern combination threaded and solder end by 3/4" hose connection. The 3/4" model is available in either solder or threaded ends. The LFBD-QT features Lead Free* construction to comply with Lead Free* installation requirements.

Features

- Quarter-turn ball valve design
- Positive shutoff
- Rugged aluminum tee-handle design
- Adjustable Teflon® stem packing

Specifications

A quarter-turn boiler drain shall be installed where indicated on the plans. Lead Free* Quarter-Turn Boiler Drains shall be constructed using Lead Free* materials. Lead Free drains shall comply with state codes and standards, where applicable, requiring reduced lead content. The boiler drain shall be manufactured from forged Lead Free* brass and have an adjustable Teflon® stem packing. The boiler drain shall feature a quarter-turn ball valve design and positive shutoff. The boiler drain shall be a Watts Series LFBD-QT.

Materials

Body: Lead Free* brass
Stem Packing: Teflon®
Tee Handle: Aluminum

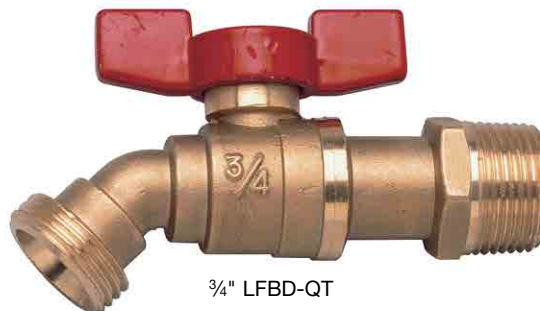
Pressure — Temperature

Maximum Temperature: 250°F (121°C)

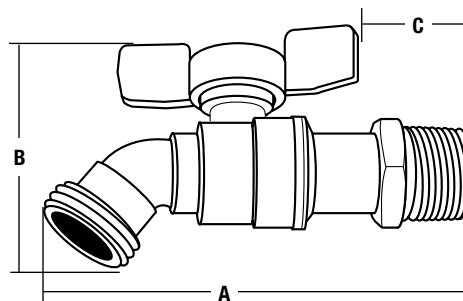
Maximum Pressure: 200psi (13.8 bar)

Teflon® is a registered trademark of E.I. Dupont de Nemours & Company Incorporated.

Watts product specifications in U.S. customary units and metric are approximate and are provided for reference only. For precise measurements, please contact Watts Technical Service. Watts reserves the right to change or modify product design, construction, specifications, or materials without prior notice and without incurring any obligation to make such changes and modifications on Watts products previously or subsequently sold.



3/4" LFBD-QT



Dimensions – Weights

MODEL	SIZE	DIMENSIONS						WEIGHT	
		A		B		C		lbs.	kg
	in.	in.	mm	in.	mm	in.	mm		
LFBD-QT	1/2	3 3/8	86	2 1/4	57	1 5/16	24	.04	.01
LFBD-QT	3/4	4 1/8	104	2 7/16	62	1 1/8	28	.05	.02

NOTICE

The information contained herein is not intended to replace the full product installation and safety information available or the experience of a trained product installer. You are required to thoroughly read all installation instructions and product safety information before beginning the installation of this product.

NOTICE

Inquire with governing authorities for local installation requirements

***The wetted surface of this product contacted by consumable water contains less than 0.25% of lead by weight.**

USA: T: (978) 689-6066 • F: (978) 975-8350 • Watts.com

Canada: T: (905) 332-4090 • F: (905) 332-7068 • Watts.ca

Latin America: T: (52) 81-1001-8600 • Watts.com

ES-LFBD-QT 1323

© 2013 Watts