

Installation Instructions

Series LF289/289

Spill-Resistant Atmospheric Vacuum Breaker

Sizes: 3/8", 1/2", 3/4", and 1"


Function: To protect the potable water supply against backflow from a non-potable source due to negative supply pressure

Protection: Against backsiphonage



1/2" LF289

⚠ WARNING



Read this Manual **BEFORE** using this equipment. Failure to read and follow all safety and use information can result in death, serious personal injury, property damage, or damage to the equipment. Keep this Manual for future reference.

THINK SAFETY FIRST

NOTICE

Do not install a shutoff valve downstream.

Installation

Requirements:

1. Install 1" above flood level of fixture if factory deck mounted or 6" if general plumbing field application.
2. Install bonnet side up and allow for accessibility for testing/service.
3. Do not undersize supply or oversize the valve in relation to demand.
4. Do not install where backpressure can occur.
5. Protect from freezing.
6. Installation of a strainer ahead of the backflow preventer is recommended to prevent fouling of the check assembly and resultant spillage from the valve during repressurizing.

NOTICE

Recommended Service:

- Test periodically as required by local jurisdictional authorities.
- Replace internal components every five years or as system conditions dictate.

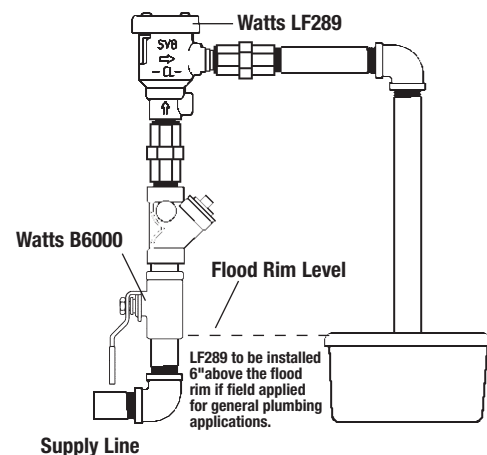
NOTICE

Pressure - Temperature

Temperature Range: 33°F - 180°F (0.5°C – 82°F)

Maximum Pressure: 150psi (10.3 bar)

Installation



⚠ WARNING

Depressurize valve before servicing.

Service and Replacement Parts

Internal parts can be removed, repaired or inspected without removing the valve from the piping.

Disassembly:

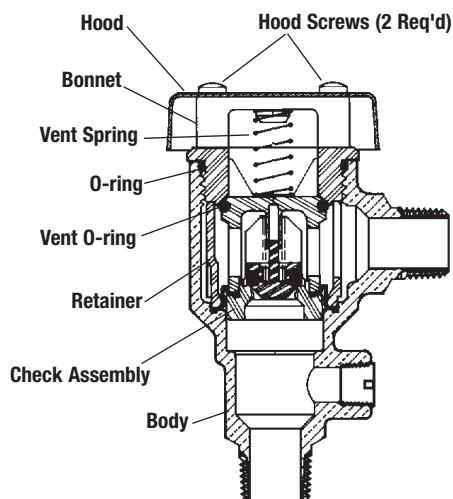
1. Shut off supply pressure and drain valve.
2. Remove the two hood screws, remove hood.
3. Unscrew the bonnet by turning counterclockwise.
4. Lift retainer and check assembly from valve body. To assist with removal a small flow can be applied by “cracking” the inlet valve slightly.

Reassembly:

Install new retainer module assembly into valve body by aligning “U” shaped cutout in retainer with the valve outlet. The top of retainer must drop just below threads in the valve body. Reassemble remaining parts in reverse order.

⚠ CAUTION

Spillage may occur if diaphragm is ruptured. Care must be taken not to damage parts during assembly.



LF289 Repair Kits

For repair kits and parts, refer to Backflow Prevention Products Repair Kits & Service Parts price list PL-RP-BPD found on www.watts.com.

WARNING: This product contains chemicals known to the State of California to cause cancer and birth defects or other reproductive harm.

For more information: www.watts.com/prop65

Limited Warranty: Watts Regulator Co. (the “Company”) warrants each product to be free from defects in material and workmanship under normal usage for a period of one year from the date of original shipment. In the event of such defects within the warranty period, the Company will, at its option, replace or recondition the product without charge.

THE WARRANTY SET FORTH HEREIN IS GIVEN EXPRESSLY AND IS THE ONLY WARRANTY GIVEN BY THE COMPANY WITH RESPECT TO THE PRODUCT. THE COMPANY MAKES NO OTHER WARRANTIES, EXPRESS OR IMPLIED. THE COMPANY HEREBY SPECIFICALLY DISCLAIMS ALL OTHER WARRANTIES, EXPRESS OR IMPLIED, INCLUDING BUT NOT LIMITED TO THE IMPLIED WARRANTIES OF MERCHANTABILITY AND FITNESS FOR A PARTICULAR PURPOSE.

The remedy described in the first paragraph of this warranty shall constitute the sole and exclusive remedy for breach of warranty, and the Company shall not be responsible for any incidental, special or consequential damages, including without limitation, lost profits or the cost of repairing or replacing other property which is damaged if this product does not work properly, other costs resulting from labor charges, delays, vandalism, negligence, fouling caused by foreign material, damage from adverse water conditions, chemical, or any other circumstances over which the Company has no control. This warranty shall be invalidated by any abuse, misuse, misapplication, improper installation or improper maintenance or alteration of the product.

Some States do not allow limitations on how long an implied warranty lasts, and some States do not allow the exclusion or limitation of incidental or consequential damages. Therefore the above limitations may not apply to you. This Limited Warranty gives you specific legal rights, and you may have other rights that vary from State to State. You should consult applicable state laws to determine your rights. **SO FAR AS IS CONSISTENT WITH APPLICABLE STATE LAW, ANY IMPLIED WARRANTIES THAT MAY NOT BE DISCLAIMED, INCLUDING THE IMPLIED WARRANTIES OF MERCHANTABILITY AND FITNESS FOR A PARTICULAR PURPOSE, ARE LIMITED IN DURATION TO ONE YEAR FROM THE DATE OF ORIGINAL SHIPMENT.**

WATTS®

A Watts Water Technologies Company

**ISO 9001-2008
CERTIFIED**

USA: Tel: (978) 688-1811 • Fax: (978) 794-1848 • www.watts.com

Canada: Tel: (905) 332-4090 • Fax: (905) 332-7068 • www.watts.com