

## For Residential and Commercial Applications

Job Name		Engineer / Architect	
Job Location		Wholesaler	
Submittal Date		Contractor	

### PR1901DV Multi-Turn Dual Outlet, Dual Shut-off Stop - CPVC Inlet

**Use:** For use in potable water distribution systems. Not intended for recirculating water systems that produce continuous use temperatures above 115° F. For those applications, use BrassCraft KT series ball stops

**Design Features:**

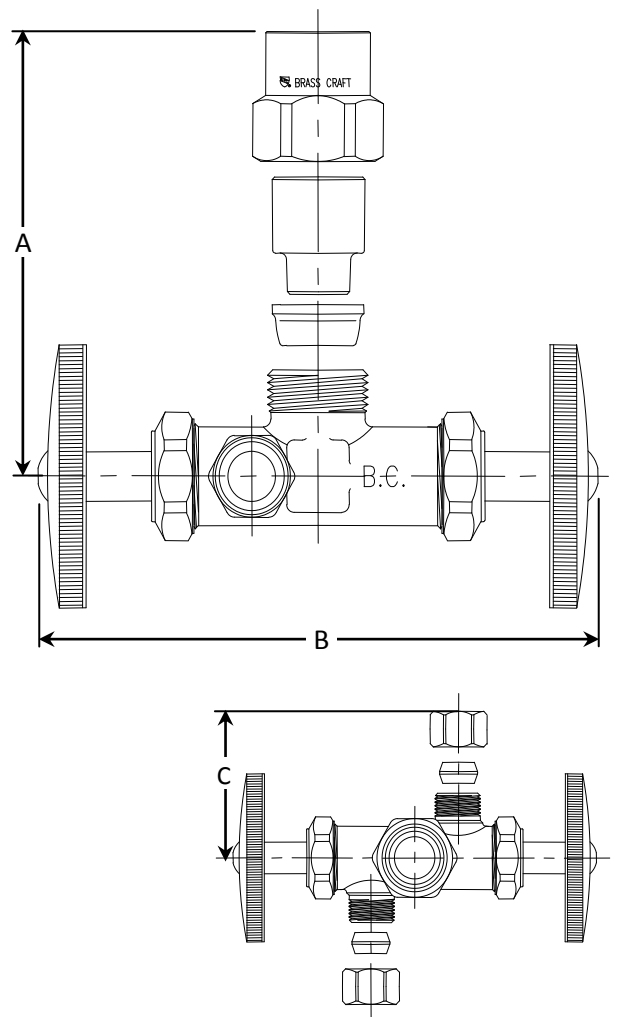
- **Independent flow control.** Dual outlet, dual shut-off operation permits you to shut-off water flow to one fixture while maintaining water flow to another fixture
- **Code approved replacement** for areas requiring separate shut-offs for two lines
- **Forged one-piece brass body** provides strength, durability and long-lasting performance
- **Knurled oval handle** provides a secure grip and smooth on/off operation
- **Easy-to-remove handle** with screw attachment protects accidental stop operation during rough-ins

**Operating Specifications:**

**Temperature:** 40°- 140° F  
**Pressure:** 125 psi maximum

MATERIAL SPECIFICATIONS	
<b>Valve Body</b>	C36000 brass
<b>Stems</b>	POM
<b>Bib &amp; Packing Washers</b>	Nitrile or EPDM rubber
<b>Packing Nut</b>	C36000 brass
<b>Handle</b>	Plated metal
<b>Handle Screw</b>	Zinc-plated steel
<b>CPVC Insert</b>	CPVC 23447-B
<b>CPVC Washer</b>	EPDM rubber
<b>CPVC &amp; Compr. Nut</b>	C36000 brass
<b>Compression Sleeve</b>	C36000 brass

PART DIMENSIONS (Inches)			
Model	DIM. A	DIM. B	DIM. C
PR1901DV	1.59	4.50	1.05



**Part Listing:**

- PR1901DV R 1/2" Nom. CPVC x 3/8" OD Compression x 3/8" OD Compression, rough brass

**Listings & Certifications:**

- IAPMO listed to ASME A112.18.1-05 / CSA B125.1-05 (File # 0645)
- CSA listed to ASME A112.18.1-05 / CSA B125.1-05 (File # 204593)



*This specification and all information contained herein is the confidential and exclusive property of BrassCraft Manufacturing, and shall not be disclosed to others without the written consent of BrassCraft. This specification must be returned to BrassCraft if requested.*

