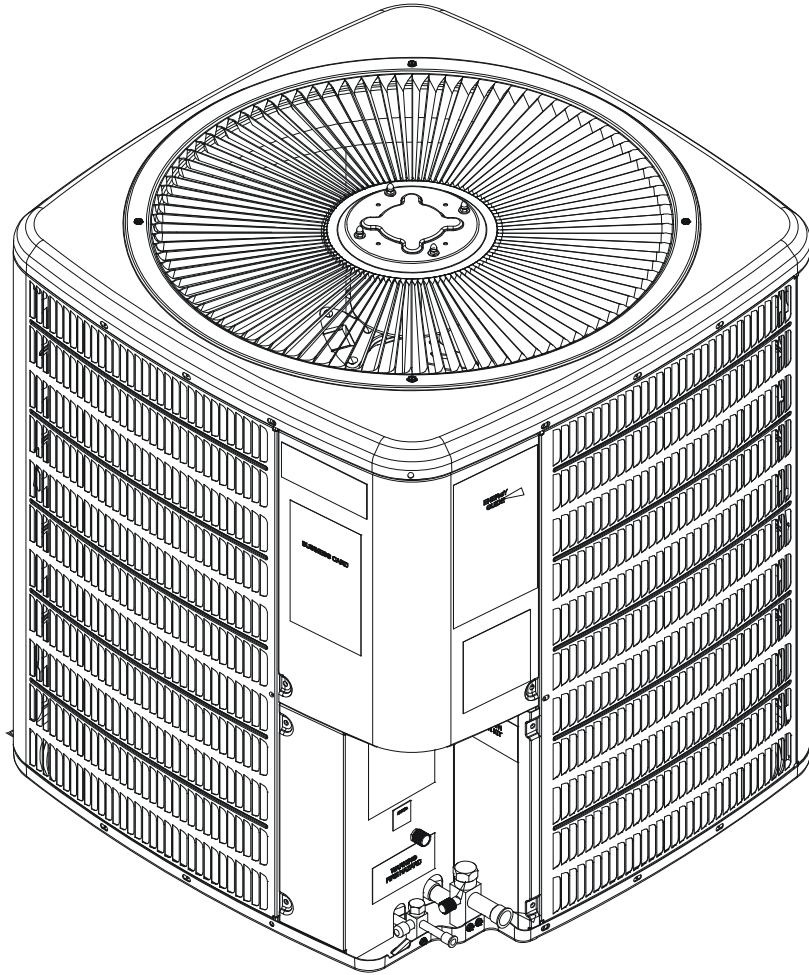


REPAIR PARTS

GSZ13 SEER Remote Heat Pumps

GSZ130181AF
GSZ130191AA
GSZ130191AB
GSZ130241CB
GSZ130251AA
GSZ130251BA
GSZ130251BB
GSZ130301AG
GSZ130311AA
GSZ130311AB
GSZ130361BD
GSZ130363AD
GSZ130371AA
GSZ130371AB
GSZ130421AF
GSZ130481AF
GSZ130483AD
GSZ130484AC



This manual is to be used by qualified technicians only.

This manual replaces RP-707A.

© 2012-2013 Goodman Manufacturing Company, L.P. ♦ 5151 San Felipe, Suite 500 ♦ Houston, TX 77056

Important Information

Index

Functional Parts List	3
Illustration and Parts	4 - 9

Views shown are for parts illustrations only, not servicing procedures.

Rev B: Addition of models with 2 piece louvers.

Text Codes:

AR - As Required

NA - Not Available

NS - Not Shown

00000000 - See Note

QTY - Quantity Example (QTY 3) (If Quantity not shown, Quantity = 1)

M - Model Example (M1) (If M Code not shown, then part is used on all Models)

Expanded Model Nomenclature:

Example M1 - Model#1 M2 - Model#2 M3 - Model#3

Goodman Manufacturing Company, L.P. is not responsible for personal injury or property damage resulting from improper service. Review all service information before beginning repairs.

Warranty service must be performed by an authorized technician, using authorized factory parts. If service is required after the warranty expires, Goodman Manufacturing Company, L.P. also recommends contacting an authorized technician and using authorized factory parts.

Goodman Manufacturing Company, L.P. reserves the right to discontinue, or change at any time, specifications or designs without notice or without incurring obligations.

For assistance within the U.S.A. contact:
Consumer Affairs Department
Goodman Manufacturing Company, L.P.
7401 Security Way
Houston, Texas 77040
877-254-4729-Telephone
713-863-2382-Facsimile

For assistance outside the U.S.A. contact:
International Division
Goodman Manufacturing Company, L.P.
7401 Security Way
Houston, Texas 77040
713-861-2500-Telephone
713-863-2382-Facsimile

Functional Parts

Part

No: Description:

Part No:	Description:	Part No:	Description:
B12825171	3/8 BASE VALVE (OPEN)	0130M00088	LOW PRESSURE SWITCH (M1, M2, M3, M4, M5, M6, M7, M8, M9, M10, M11, M13, M14, M15, M16)
B1226206	ACCUMULATOR (M1, M2, M3, M4, M5, M6, M7, M8, M9, M10, M12)	PCBDM160	PCB, DEFROST CONTROL (M1, M2, M3, M4, M5, M6, M7, M8, M9, M10, M11, M13, M14, M15, M16)
0151R00004P	ACCUMULATOR .750 (M11, M13, M14)	PCBDM130	PCB, DEFROST CONTROL (M12, M17, M18)
B1226207	ACCUMULATOR .875 (M15, M16, M17, M18)	0151M00020	REVERSING VALVE (M15, M16, M17, M18)
CAP050300440RS	CAPACITOR 5/30/370V (M1, M2, M3)	0151M00019	REVERSING VALVE (M11, M12, M13, M14)
CAP050350440RS	CAPACITOR 5/35/440V (M4, M6, M7)	B1227314	REVERSING VALVE (M4, M5, M6, M7)
CAP050000370VA	CAPACITOR 5/370V (M12, M17, M18)	0151M00018	REVERSING VALVE (M1, M2, M3, M8, M9, M10)
CAP050400440RT	CAPACITOR 5/40/440V (M5, M8, M9, M10)	0151R00032	VALVE, BASE 3/4" OPEN LEFT (M1, M2, M3, M4, M5, M6, M7, M8, M9, M10, M11, M12, M13, M14)
CAP050450440RT	CAPACITOR 5/45/440V (M11, M13, M14, M15, M16)	0151R00033	VALVE, BASE 7/8" OPEN LEFT (M15, M16, M17, M18)
ZP39K5ETFD130	COMP, 39000, 460/60/3 (M18)		
ZP20K5EPFV130	COMP,20000,208/230/60/1 (M4, M6, M7)		
ZP21K5EPFV130	COMP,21300,208/230/60/1 (M5)		
ZP34K5EPFV130	COMP,34500,208/230/60/1 (M15)		
ZP16K5EPFV130	COMPRESSOR 15500, 208/230/60/1 (M1, M2, M3)		
ZP25K5EPFV130	COMPRESSOR 25200, 208/230/60/1 (M8, M9, M10)		
ZP31K5EPFV130	COMPRESSOR 31100, 208/230/60/1 (M11, M13, M14)		
ZP31K5ETF5130	COMPRESSOR 31200, 200/230/60/3 (M12)		
ZP39K5ETF5130	COMPRESSOR 39000, 200/230/60/3 (M17)		
ZP39K5EPFV130	COMPRESSOR 39000, 208/230/60/1 (M16)		
0131M00018P	COND MOTOR 1/4 HP, 1 SP, 6 PL (M11, M12, M13, M14, M15, M16, M17)		
0131M00022	COND MOTOR 1/4 HP, 8 PL, 460V (M18)		
0131M00294	COND MOTOR, 1/8HP, ISP, 6PL (M2, M3, M5, M9, M10)		
0131M00266	COND MOTOR1/8 HP 8 PL PSC (M1, M4, M6, M7, M8)		
CONT1P025024V	CONTACTOR 25 AMP, 1P, 24V (M1, M2, M3, M4, M5, M6, M7, M8, M9, M10, M11, M13, M14, M15)		
CONT3P025024V	CONTACTOR 25 AMP, 3P, 24V (M12, M17, M18)		
CONT1P030024V	CONTACTOR 30 AMP, 1P, 24V (M16)		
0130M00105	CONTROL, DEFROST (M1, M2, M3, M8, M9, M10, M12, M15, M16, M17, M18)		
0130M00098	CONTROL, DEFROST (M4, M5, M6, M7, M11, M13, M14)		
0130M00106	DISCHARGE THERMOSTAT (CRNKCS HTR SW) (M1, M2, M3, M4, M5, M6, M7, M8, M9, M10, M11, M13, M14, M15, M16)		
0150M00018	FAN BLADE 20" (M1)		
B1086750	FAN BLADE 22", 3 BLADE, 24° (M16, M17)		
B1086765	FAN BLADE TYPE 3 (M18)		
0150M00031	FAN BLADE, 20", 3 BLADE, 21DEG (M2, M3)		
0150M00033	FAN BLADE, 20", 3 BLADE, 24DEG (M5, M9, M10)		
0150M00022	FAN BLADE, 22" (M11, M12, M13, M14, M15)		
0163R00004	HEATER CRANKCASE, 460V, 40W (M18)		
0163R00003	HEATER, CRANKCASE 230V 40W (M17)		
0163R00007	HEATER, CRANKCASE 230V, 40W (M15, M16)		
0163R00006	HEATER, CRANKCASE 230V, 40W (M1, M2, M3, M4, M5, M6, M7, M8, M9, M10, M11, M13, M14)		
0163R00002	HEATER, CRANKCASE 230V, 40W (M12)		
0130M00089	HIGH PRESSURE SWITCH		
0130R00000	LOW PRESSURE SWITCH (M12, M17, M18)		

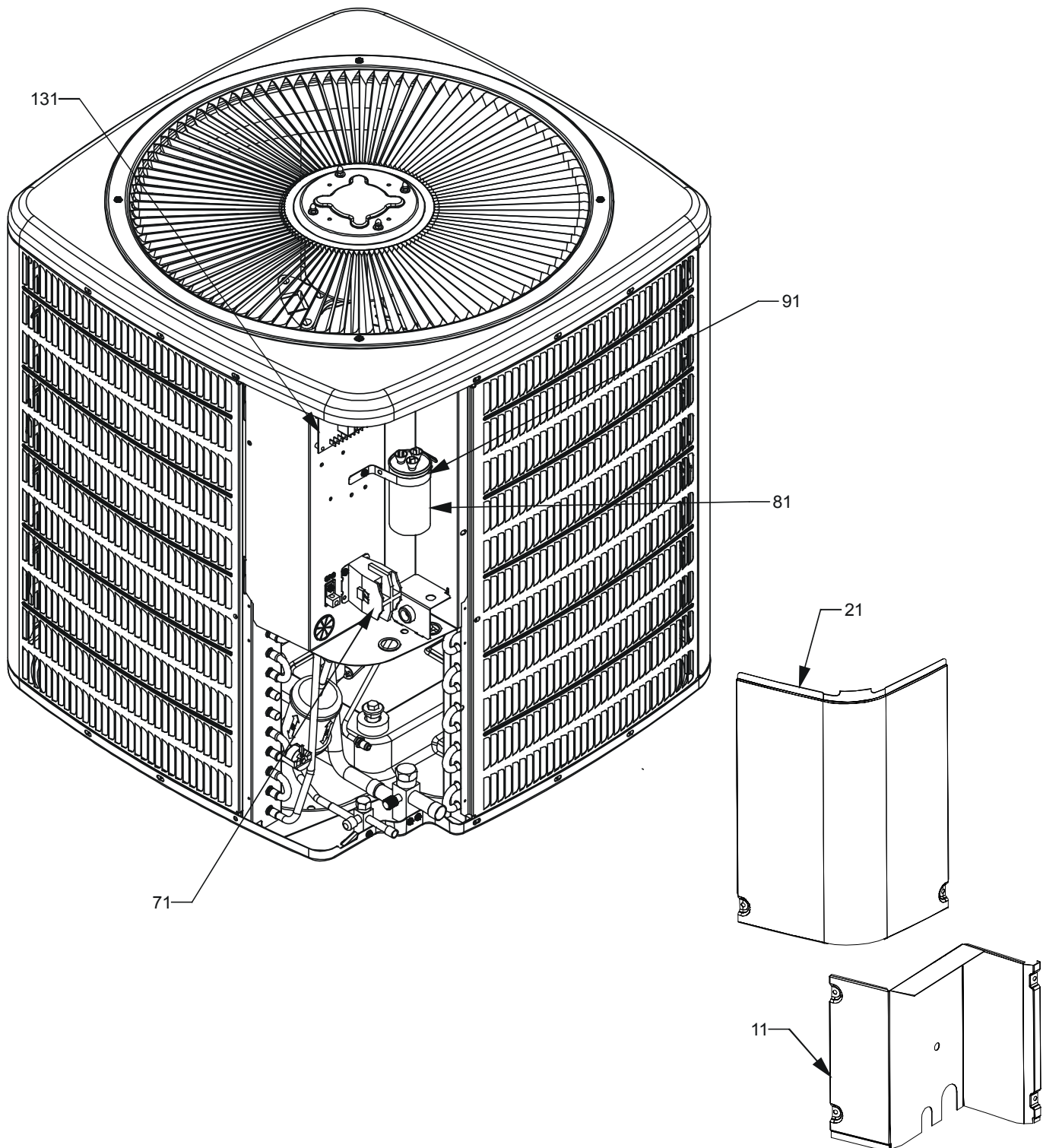
SPECIAL PARTS

0161R00009P NAMEPLATE

Expanded Model Nomenclature

M1 - GSZ130181AF
M2 - GSZ130191AA
M3 - GSZ130191AB
M4 - GSZ130241CB
M5 - GSZ130251AA
M6 - GSZ130251BA
M7 - GSZ130251BB
M8 - GSZ130301AG
M9 - GSZ130311AA
M10 - GSZ130311AB
M11 - GSZ130361BD
M12 - GSZ130363AD
M13 - GSZ130371AA
M14 - GSZ130371AB
M15 - GSZ130421AF
M16 - GSZ130481AF
M17 - GSZ130483AD
M18 - GSZ130484AC

Control Cover / Control Box



Control Cover / Control Box

Ref. Part No: No:	Description:	Ref. Part No: No:	Description:
-------------------	--------------	-------------------	--------------

Image 1:

11	0121R00318PDG	PANEL, LOWER ACCESS PNT (M12, M15)
11	0121R00321PDG	PANEL, LOWER ACCESS PNT (M16, M17, M18)
11	0121R00322PDG	PANEL, LOWER ACCESS PNT (M4, M5, M6, M7, M11, M13, M14)
11	0121R00323PDG	PANEL, LOWER ACCESS PNT (M1, M2, M3, M8, M9, M10)
21	0121R00053PDG	CONTROL COVER
71	CONT1P025024V	CONTACTOR 25 AMP, 1P, 24V (M1, M2, M3, M4, M5, M6, M7, M8, M9, M10, M11, M13, M14, M15)
71	CONT3P025024V	CONTACTOR 25 AMP, 3P, 24V (M12, M17, M18)
71	CONT1P030024V	CONTACTOR 30 AMP, 1P, 24V (M16)
81	CAP050300440RS	CAPACITOR 5/30/370V (M1, M2, M3)
81	CAP050350440RS	CAPACITOR 5/35/440V (M4, M6, M7)
81	CAP050000370VA	CAPACITOR 5/370V (M12, M17, M18)
81	CAP050400440RT	CAPACITOR 5/40/440V (M5, M8, M9, M10)
81	CAP050450440RT	CAPACITOR 5/45/440V (M11, M13, M14, M15, M16)
91	4400065	CAPACITOR STRAP
131	PCBDM130	PCB, DEFROST CONTROL (M12, M17, M18)
131	PCBDM160	PCB, DEFROST CONTROL (M1, M2, M3, M4, M5, M6, M7, M8, M9, M10, M11, M13, M14, M15, M16)
NS	0161R00009P	NAMEPLATE

Expanded Model Nomenclature

- M1 - GSZ130181AF
- M2 - GSZ130191AA
- M3 - GSZ130191AB
- M4 - GSZ130241CB
- M5 - GSZ130251AA
- M6 - GSZ130251BA
- M7 - GSZ130251BB
- M8 - GSZ130301AG
- M9 - GSZ130311AA
- M10 - GSZ130311AB
- M11 - GSZ130361BD
- M12 - GSZ130363AD
- M13 - GSZ130371AA
- M14 - GSZ130371AB
- M15 - GSZ130421AF
- M16 - GSZ130481AF
- M17 - GSZ130483AD
- M18 - GSZ130484AC

Compressor / Tubing Assembly/Condenser

Image 1

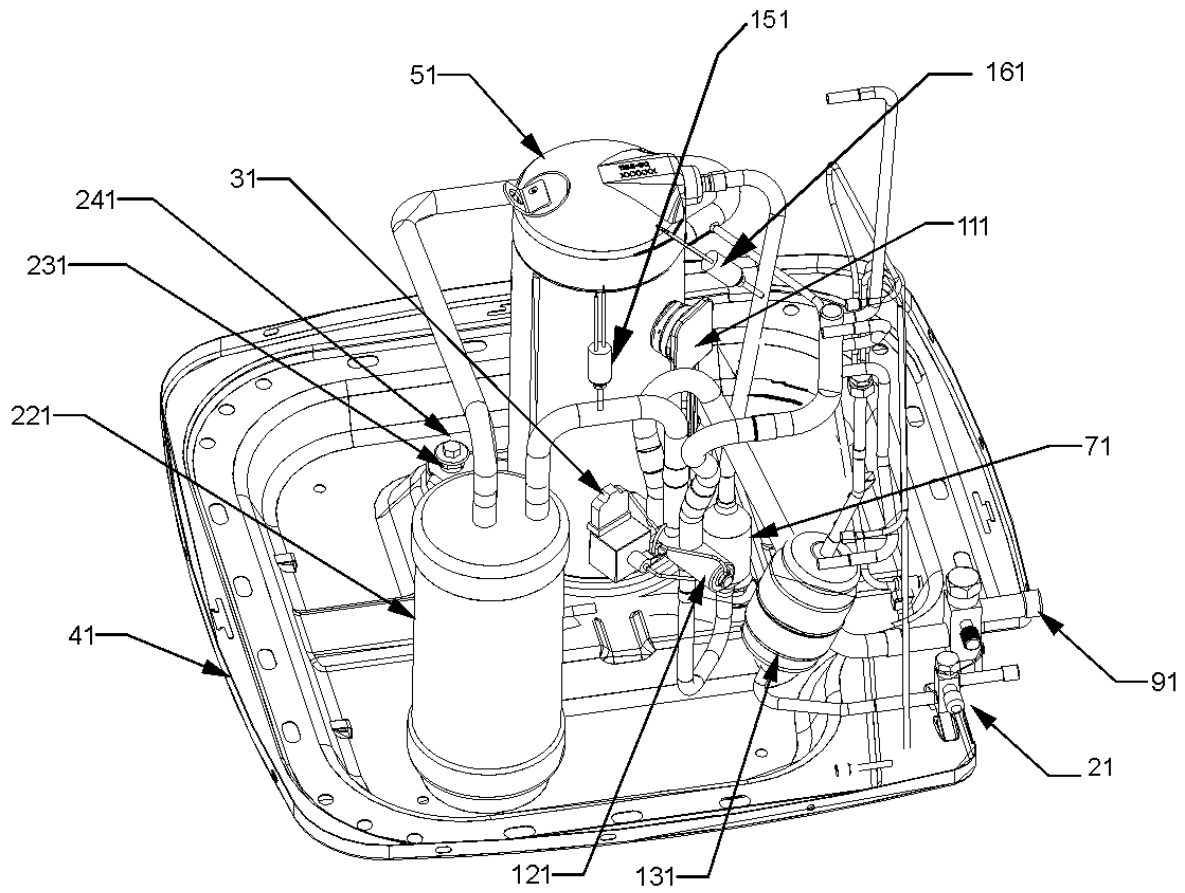
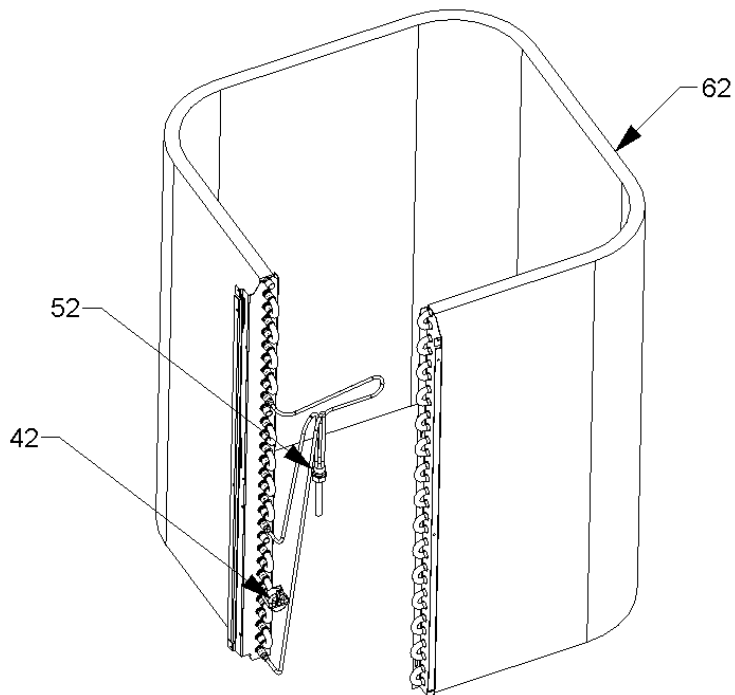


Image 2



Cabinet Top / Side Panels

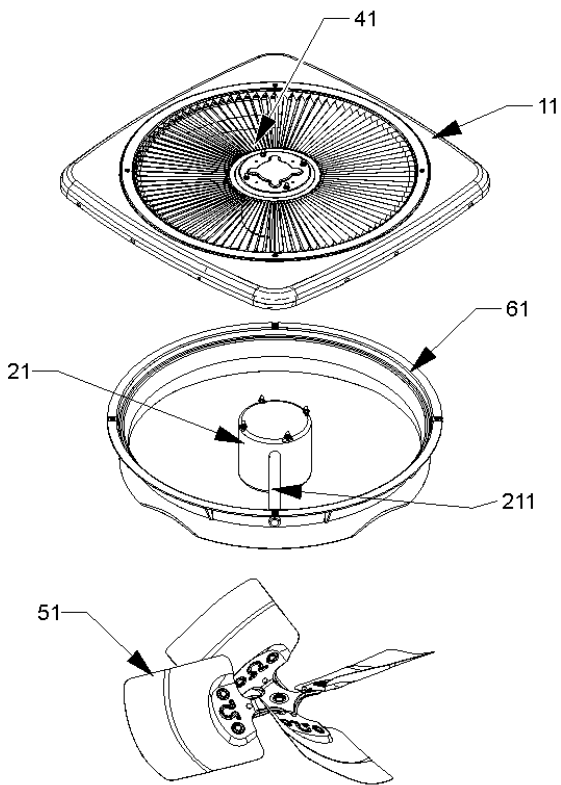


Image 1

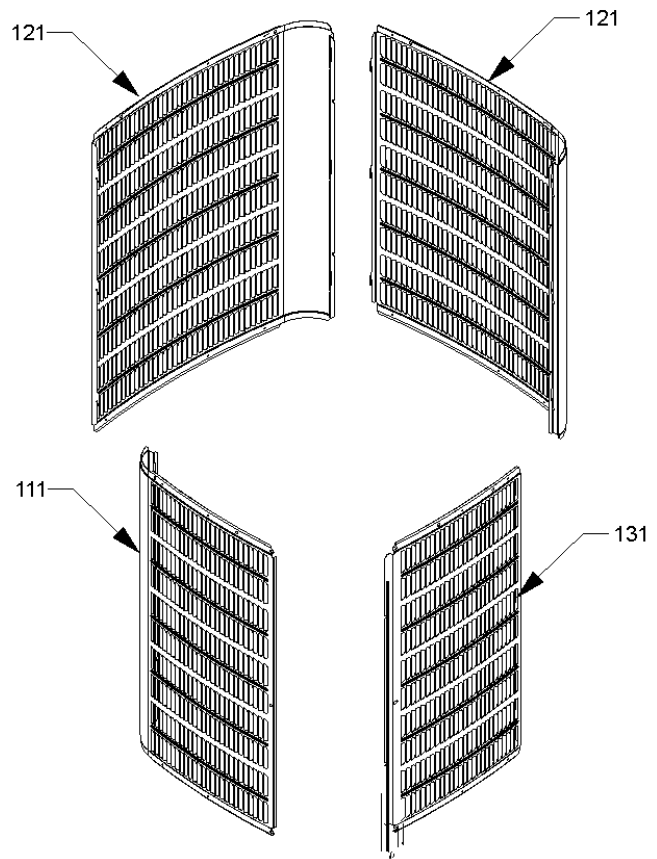
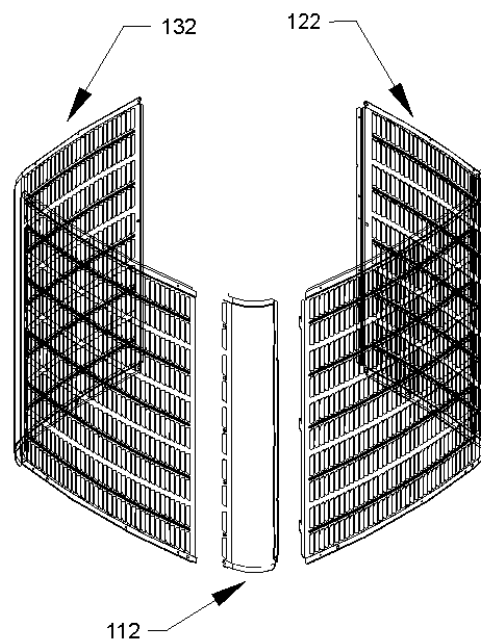


Image 2



Cabinet Top / Side Panels

**Ref. Part
No: No:**

Description:

**Ref. Part
No: No:**

Description:

Image 1:

11	0121R00008PDG	PANEL, TOP 26" PNT (M1, M2, M3, M4, M5, M6, M7, M8, M9, M10)
11	0121R00010PDG	PANEL, TOP 29" PNT (M11, M12, M13, M14, M15, M16, M17, M18)
21	0131M00018P	COND MOTOR 1/4 HP, 1 SP, 6 PL (M11, M12, M13, M14, M15, M16, M17)
21	0131M00022	COND MOTOR 1/4 HP, 8 PL, 460V (M18)
21	0131M00294	COND MOTOR, 1/8HP, ISP, 6PL (M2, M3, M5, M9, M10)
21	0131M00266	COND MOTOR 1/8 HP 8 PL PSC (M1, M4, M6, M7, M8)
41	0163M00006P	ACORN NUT 5/16 HEX BLACK (QTY 4)
51	0150M00018	FAN BLADE 20" (M1)
51	B1086750	FAN BLADE 22", 3 BLADE, 24° (M16, M17)
51	B1086765	FAN BLADE TYPE 3 (M18)
51	0150M00031	FAN BLADE, 20", 3 BLADE, 21DEG (M2, M3)
51	0150M00033	FAN BLADE, 20", 3 BLADE, 24DEG (M5, M9, M10)
51	0150M00022	FAN BLADE, 22" (M11, M12, M13, M14, M15)
61	0161L00000	VENTURI RING 22" (M11, M12, M13, M14, M15, M16, M17, M18)
111	0121R00015PDGB	LOUVERED SIDE PANEL [LT OF CNTL PNL] (M2, M9)
111	0121R00027PDGB	LOUVERED SIDE PANEL [LT OF CNTL PNL] (M15)
111	0121R00125PDGB	LOUVERED SIDE PANEL [LT OF CNTL PNL] (M13)
111	0121R00171PDGB	LOUVERED SIDE PANEL [LT OF CNTL PNL] (M5, M6)
121	0121R00018PDGB	LOUVERED SIDE PANEL (M2, M9)
121	0121R00033PDGB	LOUVERED SIDE PANEL (M15)
121	0121R00132PDGB	LOUVERED SIDE PANEL (M13)
121	0121R00172PDGB	LOUVERED SIDE PANEL (M5, M6)
131	0121R00021PDG	LOUVERED SIDE PANEL [RT OF CNTL PNL] (M2, M9)
131	0121R00039PDG	LOUVERED SIDE PANEL [RT OF CNTL PNL] (M15)
131	0121R00139PDG	LOUVERED SIDE PANEL [RT OF CNTL PNL] (M13)
131	0121R00173PDG	LOUVERED SIDE PANEL [RT OF CNTL PNL] (M5, M6)
211	0161R00001P	CONDUIT (M1, M2, M3, M4, M5, M6, M7, M8, M9, M10)
211	0161R00002P	CONDUIT (M11, M12, M13, M14, M15, M16, M17, M18)

Expanded Model Nomenclature

M1 - GSZ130181AF
M2 - GSZ130191AA
M3 - GSZ130191AB
M4 - GSZ130241CB
M5 - GSZ130251AA
M6 - GSZ130251BA
M7 - GSZ130251BB
M8 - GSZ130301AG
M9 - GSZ130311AA
M10 - GSZ130311AB
M11 - GSZ130361BD
M12 - GSZ130363AD
M13 - GSZ130371AA
M14 - GSZ130371AB
M15 - GSZ130421AF
M16 - GSZ130481AF
M17 - GSZ130483AD
M18 - GSZ130484AC

Image 2:

112	0121R00349PDG	Louver Post, PDG 28.49 (M1, M3, M8, M10)
112	0121R00350PDG	Louver Post, PDG 28.73 (M4, M7, M11, M14)
112	0121R00351PDG	Louver Post, PDG 30.49 (M16, M17, M18)
112	0121R00353PDG	Louver Post, PDG 34.49 (M12)
122	0121R00338PDGR	Louver Panel, PDG 26"_28.49 (M1, M3, M8, M10)
122	0121R00337PDGR	Louver Panel, PDG 26"_28.73 (M4, M7)
122	0121R00342PDGR	Louver Panel, PDG 29"_28.73 (M11, M14)
122	0121R00343PDGR	Louver Panel, PDG 29"_30.49 (M16, M17, M18)
122	0121R00345PDGR	Louver Panel, PDG 29"_34.49 (M12)
132	0121R00338PDGL	Louver Panel, PDG 26"_28.49 (M1, M3, M8, M10)
132	0121R00337PDGL	Louver Panel, PDG 26"_28.73 (M4, M7)
132	0121R00342PDGL	Louver Panel, PDG 29"_28.73 (M11, M14)
132	0121R00343PDGL	Louver Panel, PDG 29"_30.49 (M16, M17, M18)
132	0121R00345PDGL	Louver Panel, PDG 29"_34.49 (M12)