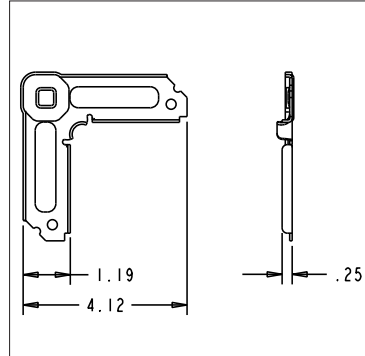


Product Data Sheet



Features

- Add rigidity to the Transverse Duct Flange
- Hold ductwork together
- Provides a sealing surface for the Elgen 440 Butyl Gasket
- Union Made

Description

The Elgen Auto Corner for C & F is used in conjunction with the Transverse Duct Connection and Transverse Duct Flange formed on Flange.

Optional Construction

- Stainless Steel 304
- Stainless Steel 316
- Aluminum
- PCD
- Galvanneal (Paint Grip)

Standard Construction

Stamped from 16 GA ASTM A-653 G60/G90 material
Manually inserted into C Flange
Accepts a 3/8" carriage bolt
Weight(per box): 36 lbs

Packaging

Box Qty	Skid Qty
300	24,000

Guarantee

All Elgen products are guaranteed by Elgen Manufacturing against defective material.

Elgen Manufacturing
10 Railroad Ave, Closter NJ 07624
Tel: 800.503.9805 :: Fax: 201.964.9030
info@elgenmfg.com :: www.elgenmfg.com