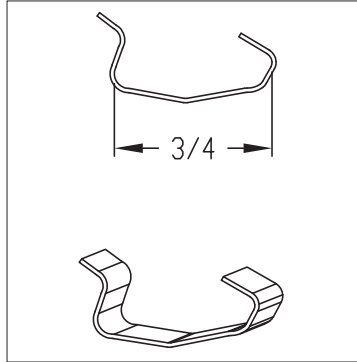


Product Data Sheet



Features

Can also be used for Transverse Duct Connection
Union Made Yellow Label
Meets SMACNA Requirements for 6" length

Description

The Elgen J & C Cleat is used in conjunction with the Elgen J Flange.

The Elgen J & C Cleat is used on the perimeter of the Elgen J Flange, four bolt rectangular system.

The use of the Elgen J Flange Cleat provides uniform compression for the 440 Butyl Gasket between the Elgen Flange's.

Standard Construction

Stamped from 20 GA ASTM A-653 G60/G90 material
Weight(per box): 46 lbs

Optional Construction

Stainless Steel 304
Stainless Steel 316
Aluminum
PCD
Galvanneal (Paint Grip)

Packaging

Box Qty	Skid Qty
500	48,000

Guarantee

All Elgen products are guaranteed by Elgen Manufacturing against defective material.

Elgen Manufacturing
10 Railroad Ave, Closter NJ 07624
Tel: 800.503.9805 :: Fax: 201.964.9030
info@elgenmfg.com :: www.elgenmfg.com