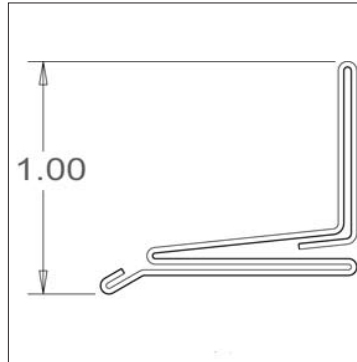
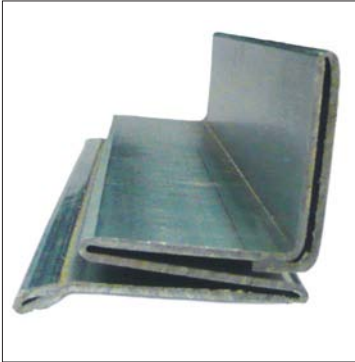


# 1" Standing "S" Slip



## Product Data Sheet



### Features

Meets 2005 SMACNA Standards-(Refer to page 2.74, Table 2-31, Transverse Joint Reinforcement)  
Provides external duct reinforcement  
Union Made Yellow Label

### Description

Elgen's 1" Standing "S" is used for making a connection between two rectangular duct walls. The Elgen 1" Standing "S" is used in Low Pressure applications.

### Optional Construction

20,22 or 26 GA ASTM A-653 G60/G90 Material

Stainless Steel 304  
Stainless Steel 316  
Aluminum  
PCD  
Galvanneal (Paint Grip)  
Agion (Antimicrobial Coating)

### Standard Construction

Rollformed using 24 GA ASTM A-653 G60  
Material  
10' length

### Packaging

GA	Length (ft)	Skid Qty (ft)	Weight (lbs)
24	10	5000	2500

### Guarantee

All Elgen products are guaranteed by Elgen Manufacturing against defective material.

Elgen Manufacturing  
10 Railroad Ave, Closter NJ 07624  
Tel: 800.503.9805 :: Fax: 201.964.9030  
info@elgenmfg.com :: www.elgenmfg.com