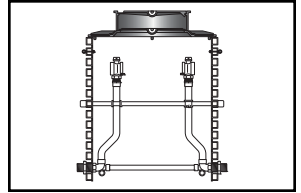


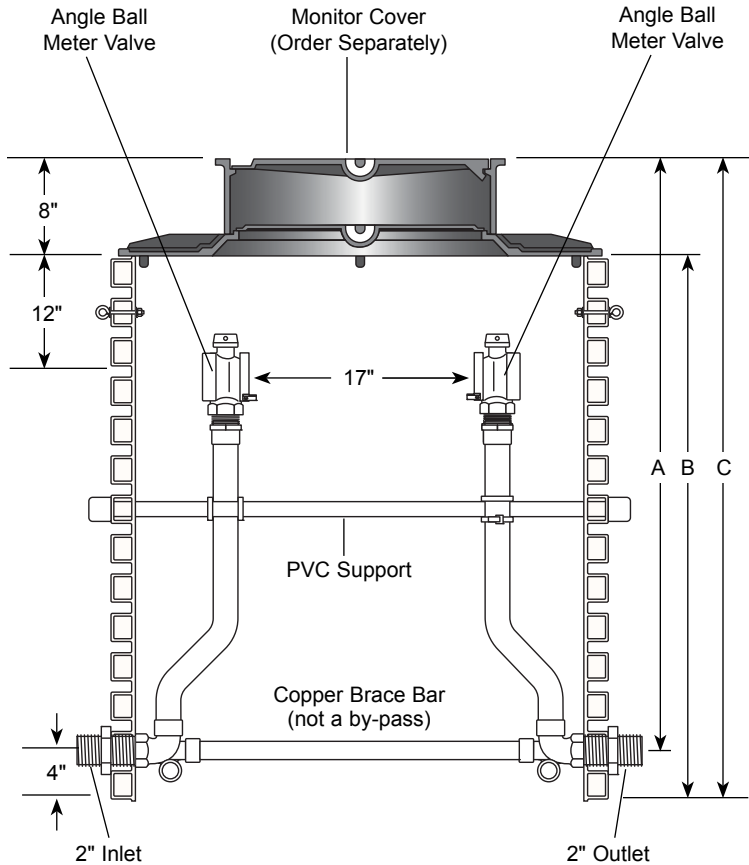
# SUBMITTAL INFORMATION

## Plastic Pitsetter - (PMBB-788-36-xx-NL style)



MALE IRON PIPE THREAD INLET AND OUTLET - FOR 2" METER

MONITOR LID - ANGLE BALL METER VALVE INLET BY ANGLE BALL METER VALVE OUTLET



### Approximate Vertical Measurements

SERVICE LINE DEPTH "A"	PVC CYLINDER LENGTH "B"	TOTAL PIT DEPTH "C"
36"	32"	40"
42"	38"	46"
48"	44"	52"
54"	50"	58"
60"	56"	64"
66"	62"	70"
72"	68"	76"
78"	74"	82"

PIT DIAMETER AND DEPTH	CATALOG NUMBER	✓ SUBMITTED ITEM(S)
36"x36"	PMBB-788-36-36-NL	
36"x42"	PMBB-788-36-42-NL	
36"x48"	PMBB-788-36-48-NL	
36"x54"	PMBB-788-36-54-NL	
36"x60"	PMBB-788-36-60-NL	
36"x66"	PMBB-788-36-66-NL	
36"x72"	PMBB-788-36-72-NL	
36"x78"	PMBB-788-36-78-NL	

### FEATURES

- All brass that comes in contact with potable water conforms to AWWA Standard C800 (UNS NO C89833)
- Brass components that do not come in contact with potable water conform to AWWA Standard C800 (ASTM B-62 and ASTM B-584, UNS NO C83600 - 85-5-5-5)
- The product has the letters "NL" cast into the main body for proper identification
- All Ford Setters are assembled with lead-free solder
- Meter is held rigidly and at the proper height for easy installation and removal
- Monitor cover is not included and must be ordered separately
- Service lines are a minimum of 2" from pit walls to prevent "frost jump" in colder climates
- Easy installation - simply make inlet and outlet connections and install cover
- When bottom of pit is below frost line, service and meter freeze-ups are greatly reduced or eliminated by the circulation of air from the warmer soil at the pit base

The Ford Meter Box Company considers the information in this submittal form to be correct at the time of publication. Item and option availability, including specifications, are subject to change without notice. Please verify that your product information is current.



### The Ford Meter Box Company, Inc.

P.O. Box 443, Wabash, Indiana U.S.A. 46992-0443

Phone: 260-563-3171 / Fax: 800-826-3487

Overseas Fax: 260-563-0167

<http://www.fordmeterbox.com>

03/07/12

Submitted By: