

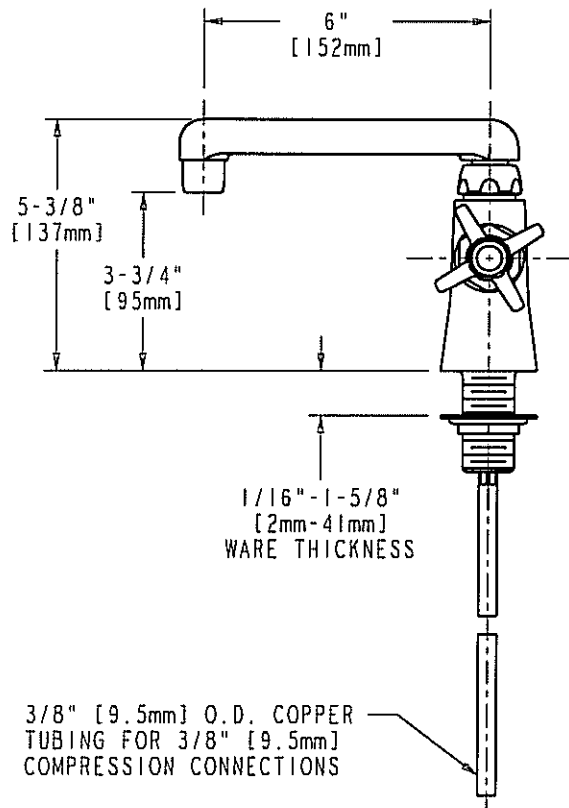
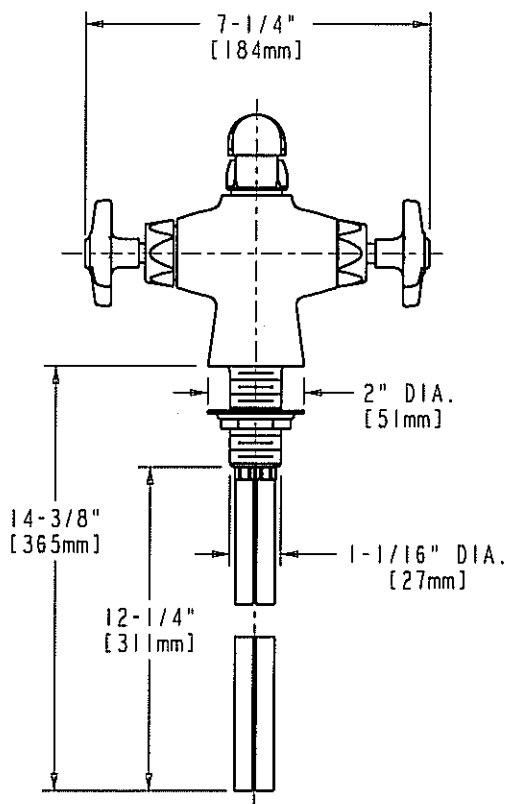
JOB NAME

ITEM NO.

SUBMITTED AS SHOWN

SUBMITTED AS NOTED

SEE ATTACHED FOR
 SUBMITTED MODIFICATION



ROUGHING IN DIMENSIONS MAY VARY AND ARE SUBJECT TO CHANGE. NO RESPONSIBILITY IS ASSUMED FOR USE OF SUPERCEDED OR VOIDED DATA.

DIMENSIONS IN INCHES AND [MILLIMETERS].

TECHNICAL DATA

- DECK MOUNTED COMBINATION LABORATORY FITTING
- S6 SWING SPOUT
- 204 INDEXED 4-ARM HANDLES
- SLO-COMPRESSION UNITS
- FINISH: CHROME PLATE
- 3/8" [9.5mm] COPPER SUPPLY TUBES
- E3 SOFTFLO OUTLET
- 2.2 GPM [8.3/L min.] MAXIMUM FLOW RATE
- ASME A112.18.1M COMPLIANT
- CSA B125 COMPLIANT

DATE: 09-21-04

BY: JAR

CHK'D: *JAR*

APP'D: *AT*

REV: A

931