



a Geberit company

2100 South Clearwater Drive
Des Plaines, IL 60018
Phone: 847-803-5000
Fax: 847-803-5454
www.chicagofaucets.com

FOR TECHNICAL ASSISTANCE
1-800-TEC-TRUE (1-800-832-8783)

REPAIR PARTS

BY: JAR DATE: 08-06-14

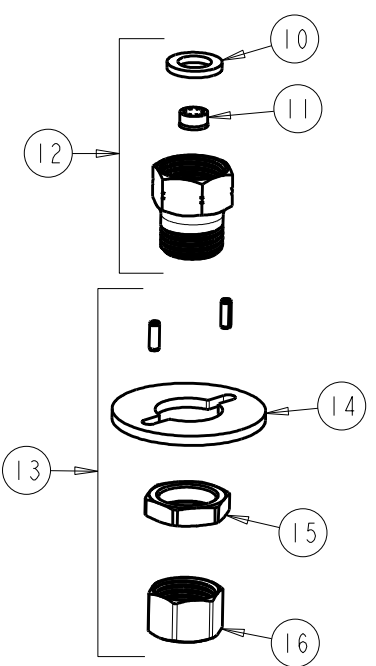
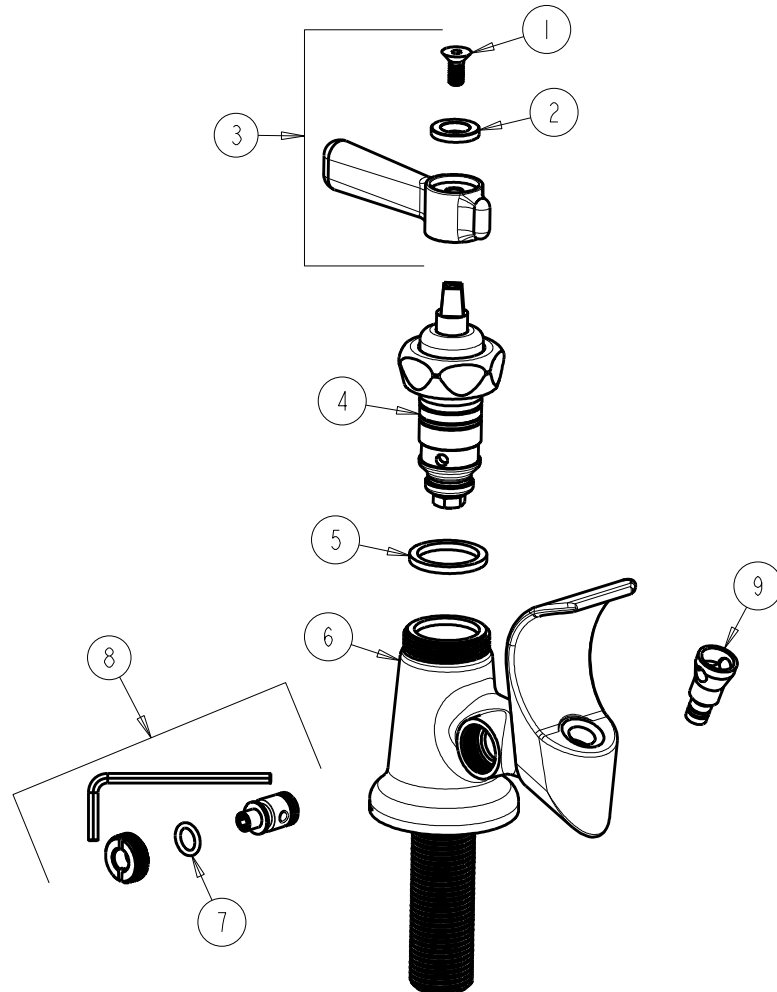
CHK: *[Signature]* REV:

FITTING NO.

748-244ABCP

SUBMITTED MODEL NO.

ITEM NO.



ITEM	PART NO.	DESCRIPTION
1	420-020JKNF	SCREW, 1/8 FLAT HEX HEAD X 1/2
2	633-123JKNF	INDEX BUTTON (BLUE)
3	369-COLDJKCP	LEVER HANDLE
4	826-XJKABNF	KLO-SELF CARTRIDGE
5	1-043JKABNF	GASKET, CAP 1 X .80 X .09
6	-----	BODY (NOT SOLD SEPARATELY)
7	319-040JKABNF	O-RING
8	748-012KJKABNF	FLOW CONTROL, KIT
9	653-008JKABCP	NOZZLE
10	1001-002JKABNF	GASKET
11	1020-004JKABNF	FLOW CONTROL 0.74 GPM MAX
12	722-015KJKABRBF	ADAPTER, FLOW CONTROL 0.74GPM
13	748-013KJKNF	MOUNTING KIT
14	807-112JKNF	WASHER
15	49-004JKRBF	LOCKNUT
16	49-005JKRBF	COUPLING NUT