



2100 South Clearwater Drive  
Des Plaines, IL 60018  
Phone: 847-803-5000  
Fax: 847-803-5454  
www.chicagofaucets.com

**FOR TECHNICAL ASSISTANCE**  
1-800-TEC-TRUE (1-800-832-8783)

**ROUGH-IN**

BY: SID DATE: 11-07-13  
CHK: *[Signature]* REV:

FITTING NO.

SEE SCHEDULE

SUBMITTED MODEL NO.

SUBMITTED AS SHOWN

SUBMITTED AS NOTED

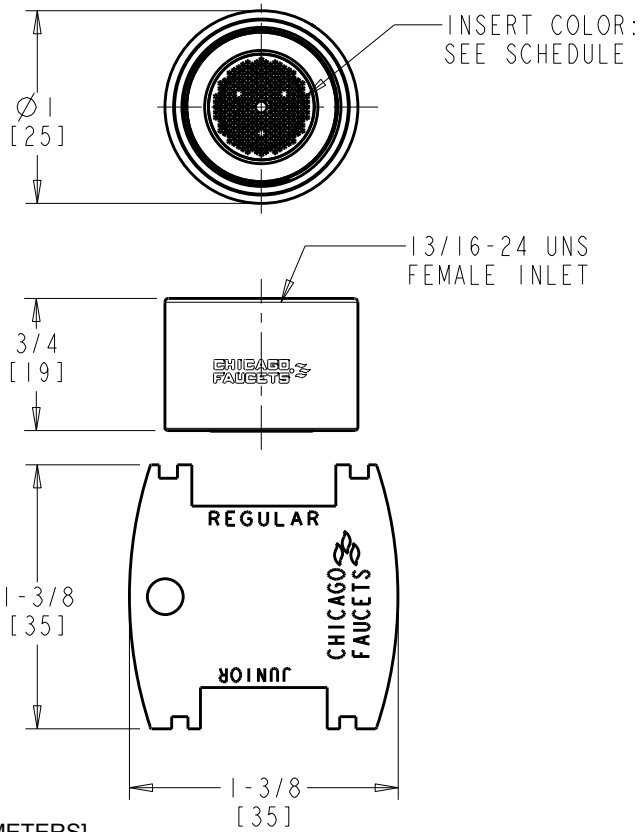
SEE ATTACHED FOR  
SUBMITTED MODIFICATION

JOB NAME

ITEM NO.

**SCHEDULE**

REPAIR NUMBER	DESCRIPTION	MAXIMUM FLOW RATE	INSERT COLOR
E3VPJKABCP	OUTLET VP, AERATOR	2.2 GPM [8.3 L/min.]	YELLOW
E2805-5JKABCP	OUTLET VP, NON-AERATING SPRAY	0.5 GPM [1.9 L/min.]	LIME
E28-5JKABCP	OUTLET VP, NON-AERATING SPRAY	1.0 GPM [3.8 L/min.]	BLUE
E29VPJKABCP	OUTLET VP, NON-AERATING LAMINAR	2.2 GPM [8.3 L/min.]	YELLOW
E35VPJKABCP	OUTLET VP, AERATOR	1.5 GPM [5.7 L/min.]	GREEN
E36VPJKABCP	OUTLET VP, LAMINAR	1.5 GPM [5.7 L/min.]	ORANGE
E38VPJKABCP	OUTLET VP, NON-AERATING SPRAY	0.35 GPM [1.3 L/min.]	BROWN
E61VPJKABCP	OUTLET VP, SPRAY ANTI-MICROBIAL	0.5 GPM [1.9 L/min.]	LIME
E63VPJKABCP	OUTLET VP, NON-AERATING LAMINAR	1.5 GPM [5.7 L/min.]	ORANGE
E65VPJKABCP	OUTLET VP, NON-AERATING LAMINAR	1.0 GPM [3.8 L/min.]	BLUE
E67VPJKABCP	OUTLET VP, LAMINAR	0.5 GPM [1.9 L/min.]	LIME



DIMENSIONS ARE IN INCHES AND [MILLIMETERS].

**TECHNICAL DATA**

- SEE SPECIFICATION SHEET

ROUGHING IN DIMENSIONS MAY VARY AND ARE SUBJECT TO CHANGE. NO RESPONSIBILITY IS ASSUMED FOR USE OF SUPERCEDED OR VOIDED DATA.