

**CHICAGO FAUCETS**  
a Geberit company

2100 South Clearwater Drive  
Des Plaines, IL 60018  
Phone: 847-803-5000  
Fax: 847-803-5454  
www.chicagofaucets.com

**ROUGH-IN**

FITTING NO.

**E2805-5JKABCP**

BY: SID

DATE: 10-05-21

SUBMITTED MODEL NO.

**FOR TECHNICAL ASSISTANCE**  
1-800-TEC-TRUE (1-800-832-8783)

CHK: *Jae*

REV:

SUBMITTED AS SHOWN

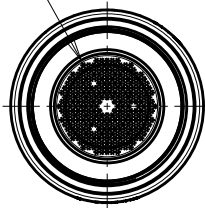
SUBMITTED AS NOTED

SEE ATTACHED FOR  
SUBMITTED MODIFICATION

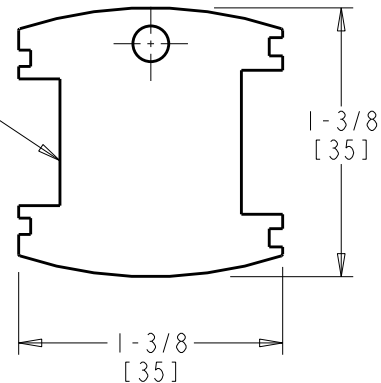
JOB NAME

ITEM NO.

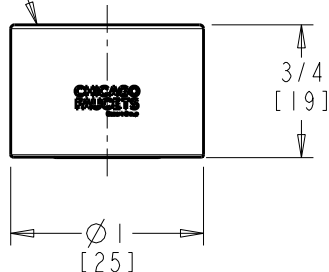
INSERT: 0.5 GPM  
DOME COLOR: LIME



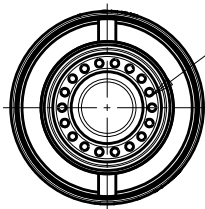
VANDAL  
OUTLET KEY



13/16-24 UNS  
FEMALE THREAD



SPRAY PATTERN



DIMENSIONS ARE IN INCHES AND [MILLIMETERS].

**TECHNICAL DATA**

- VANDAL RESISTANT PRESSURE COMPENSATING
- ECONO-FLO NON-AERATING LAMINAR SPRAY OUTLET
- 0.5 GPM [1.9 L/min.] MAXIMUM FLOW RATE
- VANDAL OUTLET KEY INCLUDED
- FINISH: CHROME PLATE

- NSF/ANSI 372 LOW LEAD CONTENT

ROUGHING IN DIMENSIONS MAY VARY AND ARE SUBJECT TO CHANGE. NO RESPONSIBILITY IS ASSUMED FOR USE OF SUPERCEDED OR VOIDED DATA.