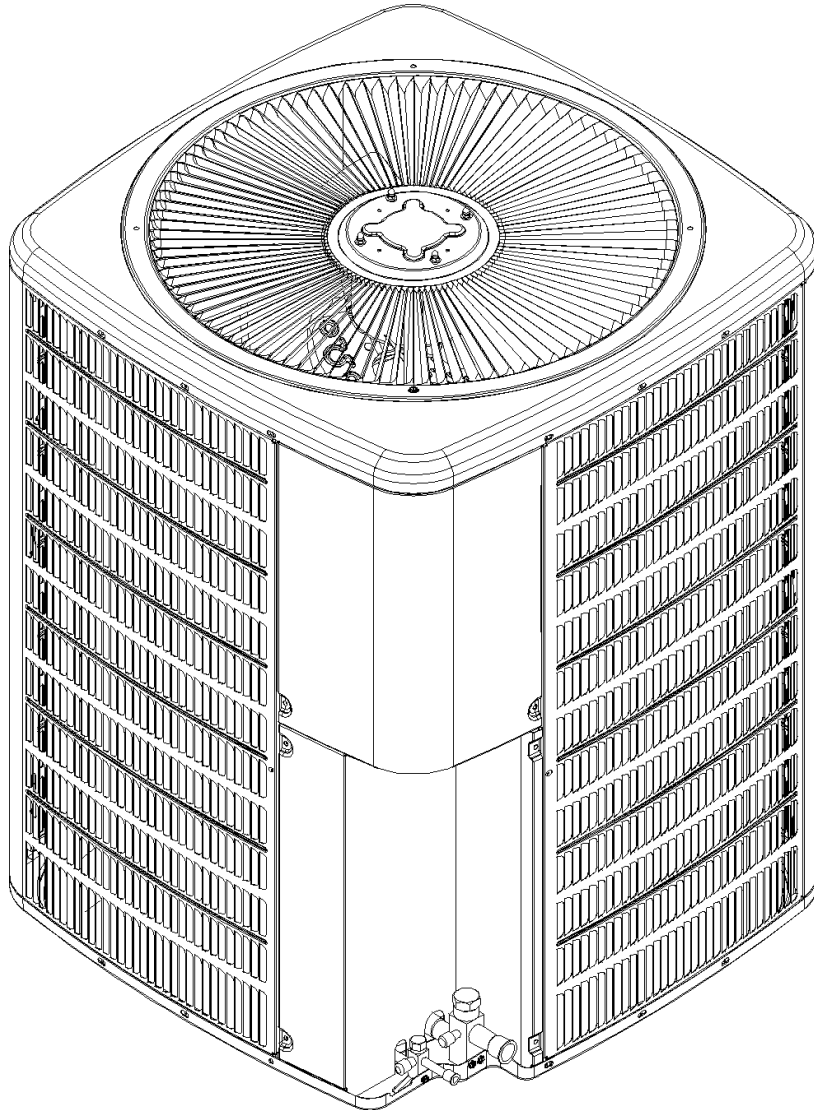


# REPAIR PARTS

## GSH13 Remote Heat Pumps

GSH130181BB  
GSH130181CA  
GSH130181CB  
GSH130241BB  
GSH130241CA  
GSH130241CB  
GSH130301CA  
GSH130301CB  
GSH130361BC  
GSH130361CA  
GSH130361CB  
GSH130361CC  
GSH130363AE  
GSH130363AF  
GSH130421AF  
GSH130421AG  
GSH130421BA  
GSH130481AE  
GSH130481AF  
GSH130481BA  
GSH130483AE  
GSH130483BA  
GSH130484AD  
GSH130601AC  
GSH130603AC



This manual is to be used by qualified technicians only.

This manual replaces RP-637C.

© 2010-12 Goodman Manufacturing Company, L.P. ♦ 5151 San Felipe, Suite 500 ♦ Houston, TX 77056

# Important Information

---

## Index

Functional Parts List .....	3 - 4
Illustration and Parts .....	4 - 9

*Views shown are for parts illustrations only, not servicing procedures.*

Rev D: Addition of GSH130421BA and GSH130481BA

### Text Codes:

AR - As Required

NA - Not Available

NS - Not Shown

00000000 - See Note

QTY - Quantity Example (QTY 3) (If Quantity not shown, Quantity = 1)

M - Model Example (M1) (If M Code not shown, then part is used on all Models)

### Expanded Model Nomenclature:

Example
M1 - Model#1
M2 - Model#2
M3 - Model#3

Goodman Manufacturing Company, L.P. is not responsible for personal injury or property damage resulting from improper service. Review all service information before beginning repairs.

Warranty service must be performed by an authorized technician, using authorized factory parts. If service is required after the warranty expires, Goodman Manufacturing Company, L.P. also recommends contacting an authorized technician and using authorized factory parts.

Goodman Manufacturing Company, L.P. reserves the right to discontinue, or change at any time, specifications or designs without notice or without incurring obligations.

For assistance within the U.S.A. contact:  
Consumer Affairs Department  
Goodman Manufacturing Company, L.P.  
7401 Security Way  
Houston, Texas 77040  
877-254-4729-Telephone  
713-863-2382-Facsimile

For assistance outside the U.S.A. contact:  
International Division  
Goodman Manufacturing Company, L.P.  
7401 Security Way  
Houston, Texas 77040  
713-861-2500-Telephone  
713-863-2382-Facsimile

# Functional Parts

## Part

### No: Description:

B12825171	3/8" SERVICE VALVE	0162M00090	FLOWRATOR .057 (M7, M8)
CAP050300440RS	CAPACITOR 5/30/370V (M2, M3, M4)	0162M00065	FLOWRATOR .059 (M12, M14)
CAP050350440RS	CAPACITOR 5/35/440V (M1, M5, M6, M9)	0162M00017P	FLOWRATOR .062 (M15, M16, M17)
CAP050000370VA	CAPACITOR 5/370V (M13, M14, M21, M22, M23, M25)	0162M00018P	FLOWRATOR .065 (M18, M19, M20, M21, M22, M23)
CAP050400440RT	CAPACITOR 5/40/440V (M7, M8)	0162M00037	FLOWRATOR .071 (M25)
CAP050450440RT	CAPACITOR 5/45/440V (M10, M11, M12)	0162M00038	FLOWRATOR .076 (M24)
CAP050550440RT	CAPACITOR 5/55/440V (M15, M16, M17, M18, M19, M20)	0163R00004	HEATER CRANKCASE, 460V, 40W (M23)
CAP050800440RT	CAPACITOR 5/80/440V (M24)	0163R00007	HEATER, CRANKCASE 230V, 40W (M17, M20, M22)
ZR25K5PFV800	COMP, 25300, 208/230/60/1 (M7, M8)	PCBDM130S	PCB, DEFROST CONTROL
ZR38K5PFV130	COMP, 38000, 208/230/60/1 (M17)		
ZR42K5PFV130	COMP, 42200, 208/230/60/1 (M20)		
ZR16K5PFV800	COMP, 15500, 208/230/60/1 (M2, M3)		
ZR21K5PFV800	COMP, 21000, 208/230/60/1 (M5, M6)		
ZR28K5TF5130	COMP, 28400, 200/230/60/3 (M14)		
ZR28K5PFV800	COMP, 28500, 208/230/60/1 (M10, M11, M12)		
ZR42K5TF5800	COMP, 40600, 208/230/60/3 (M21)		
ZR54K5TF5800	COMP, 54200, 200/230/60/3 (M25)		
CR14K7PFV970	COMPRESSOR 14100, 208/230/60/1 (M1)		
CR19K7PFV970	COMPRESSOR 19300, 208/230/60/1 (M4)		
CR28K7TF5970	COMPRESSOR 28000, 200/230/60/3 (M13)		
CR28K7PFV970	COMPRESSOR 28300, 208/230/60/1 (M9)		
ZR36K3PFV930	COMPRESSOR 36900, 208/230/60/1 (M15, M16)		
ZR40K3PFV930	COMPRESSOR 40600, 208/230/60/1 (M18, M19)		
ZR42K5TF5130	COMPRESSOR 42200, 200/230/60/3 (M22)		
ZR42K5TFD130	COMPRESSOR 42200, 460/60/3 (M23)		
ZR52K3PFV930	COMPRESSOR 52000, 208/230/60/1 (M24)		
0131M00266	COND 1/8 HP 8 PL PSC MOTOR (M1, M2, M4, M5, M7)		
0131M00018P	COND MOTOR 1/4 HP, 1 SP, 6 PL (M11, M12, M14, M16, M17, M19, M20)		
0131M00022	COND MOTOR 1/4 HP, 8 PL, 460V (M23)		
0131M00012P	COND MOTOR 1/6 HP, 1 SP, 8 PL (M24, M25)		
0131M00061	COND MOTOR, 1/4HP, 1SP, 8PL (M9, M10, M13, M15, M18, M21, M22)		
0131M00294	COND MOTOR, 1/8HP, 1SP, 6PL (M3, M6, M8)		
CONT1P025024V	CONTACTOR 25 AMP, 1P, 24V (M1, M2, M3, M4, M5, M6, M7, M8)		
CONT3P025024V	CONTACTOR 25 AMP, 3P, 24V (M13, M14, M21, M22, M23, M25)		
CONT1P030024V	CONTACTOR 30 AMP, 1P, 24V (M9, M10, M11, M12, M15, M16, M17, M18, M19, M20)		
CONT2P040024V	CONTACTOR 40 AMP, 2P, 24V (M24)		
0150M00018	FAN BLADE 20" (M1, M2)		
0150M00012	FAN BLADE 20" CCW (M4, M5, M7)		
0150M00008	FAN BLADE 22" TNT2203-25 (M9, M10, M13, M15, M23)		
B1086750	FAN BLADE 22", 3 BLADE, 24° (M12, M14, M19, M20)		
10625738	FAN BLADE 26" ALUM CCW (M24, M25)		
B1086765	FAN BLADE TYPE 3 (M18, M21, M22)		
0150M00031	FAN BLADE, 20", 3 BLADE, 21DEG (M3)		
0150M00033	FAN BLADE, 20", 3 BLADE, 24DEG (M6, M8)		
0150M00022	FAN BLADE, 22" (M11, M16, M17)		
0162M00089	FLOWRATOR .039 (M1, M2, M3)		
0162M00091	FLOWRATOR .047 (M4, M5, M6)		
0162M00016P	FLOWRATOR .055 (M9, M10, M11, M13)		

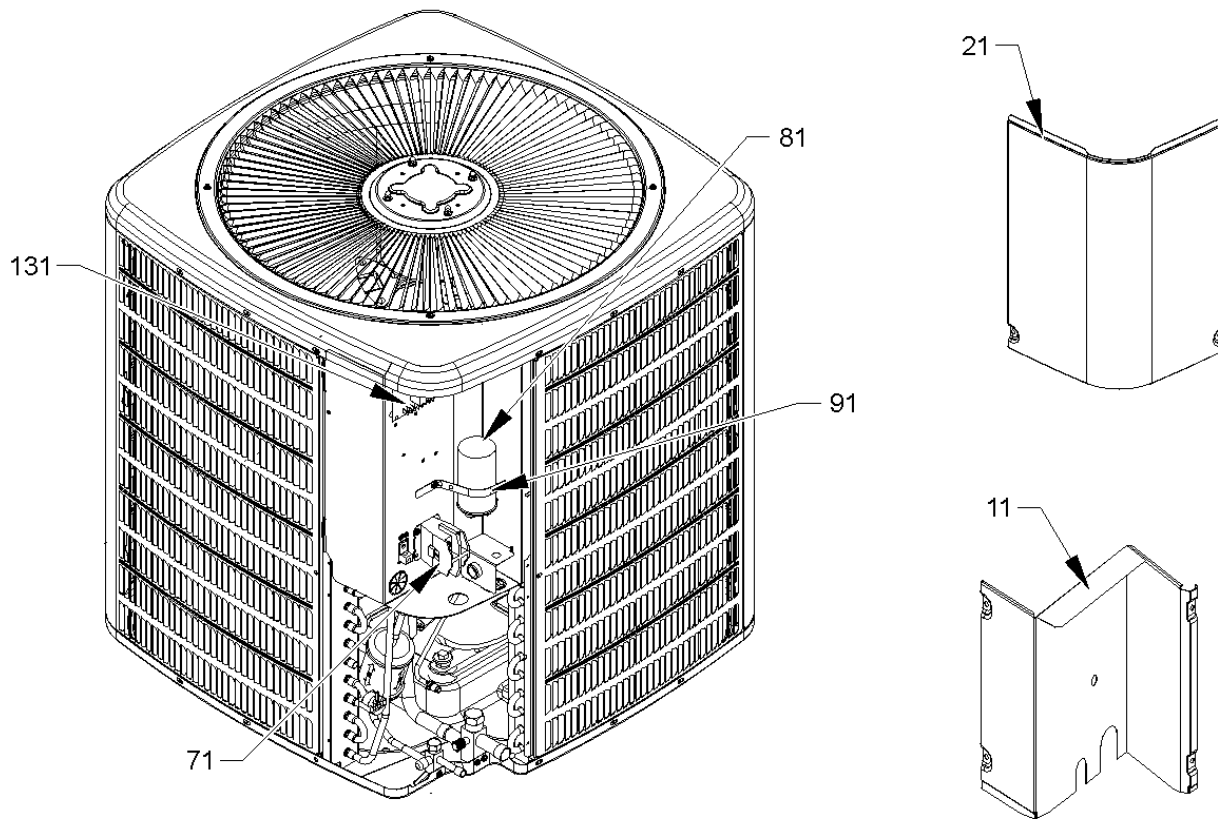
### SPECIAL PARTS

B1360719	CUT-OUT SWITCH, LOW PRESSURE
B1789855	FLOW CHECK PISTON KIT .055 (M1, M2, M3)
B1789861	FLOW CHECK PISTON KIT .061 (M4, M5, M6)
B1789870	FLOW CHECK PISTON KIT .070 (M7, M8)
B1789871	FLOW CHECK PISTON KIT .071 (M12, M14)
B1789873	FLOW CHECK PISTON KIT .073 (M9, M10, M11, M13)
B1789880	FLOW CHECK PISTON KIT .080 (M17)
B1789882	FLOW CHECK PISTON KIT .082 (M15, M16)
B1789884	FLOW CHECK PISTON KIT .084 (M18, M19, M20, M21, M22, M23)
B1789893	FLOW CHECK PISTON KIT .093 (M24, M25)

### Expanded Model Nomenclature

M1 - GSH130181BB
M2 - GSH130181CA
M3 - GSH130181CB
M4 - GSH130241BB
M5 - GSH130241CA
M6 - GSH130241CB
M7 - GSH130301CA
M8 - GSH130301CB
M9 - GSH130361BC
M10 - GSH130361CA
M11 - GSH130361CB
M12 - GSH130361CC
M13 - GSH130363AE
M14 - GSH130363AF
M15 - GSH130421AF
M16 - GSH130421AG
M17 - GSH130421BA
M18 - GSH130481AE
M19 - GSH130481AF
M20 - GSH130481BA
M21 - GSH130483AE
M22 - GSH130483BA
M23 - GSH130484AD
M24 - GSH130601AC
M25 - GSH130603AC

# Control Cover/Control Box



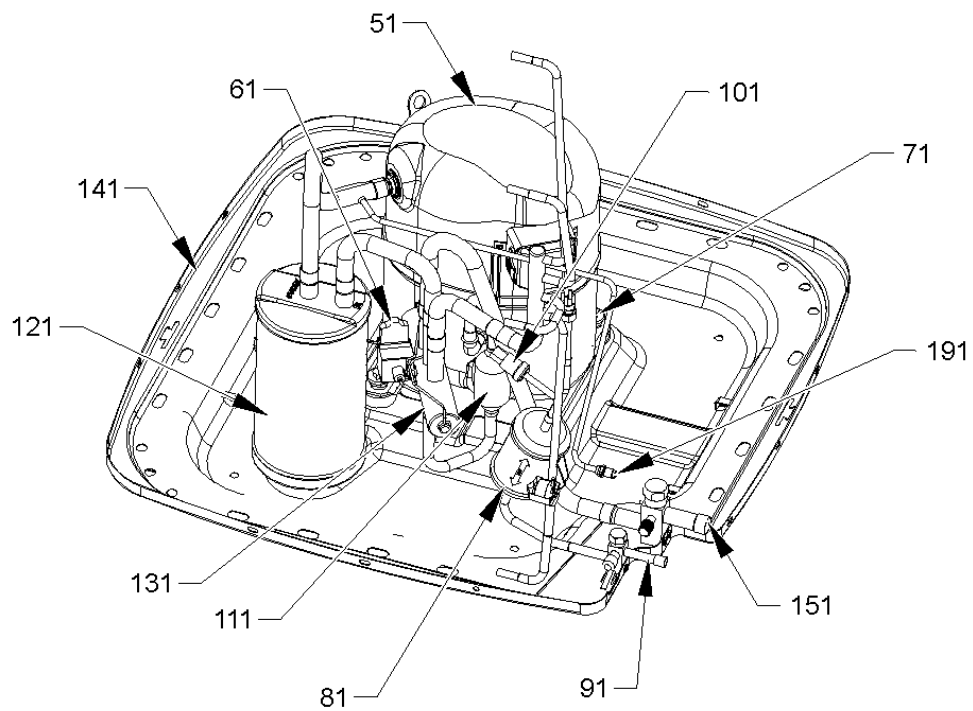
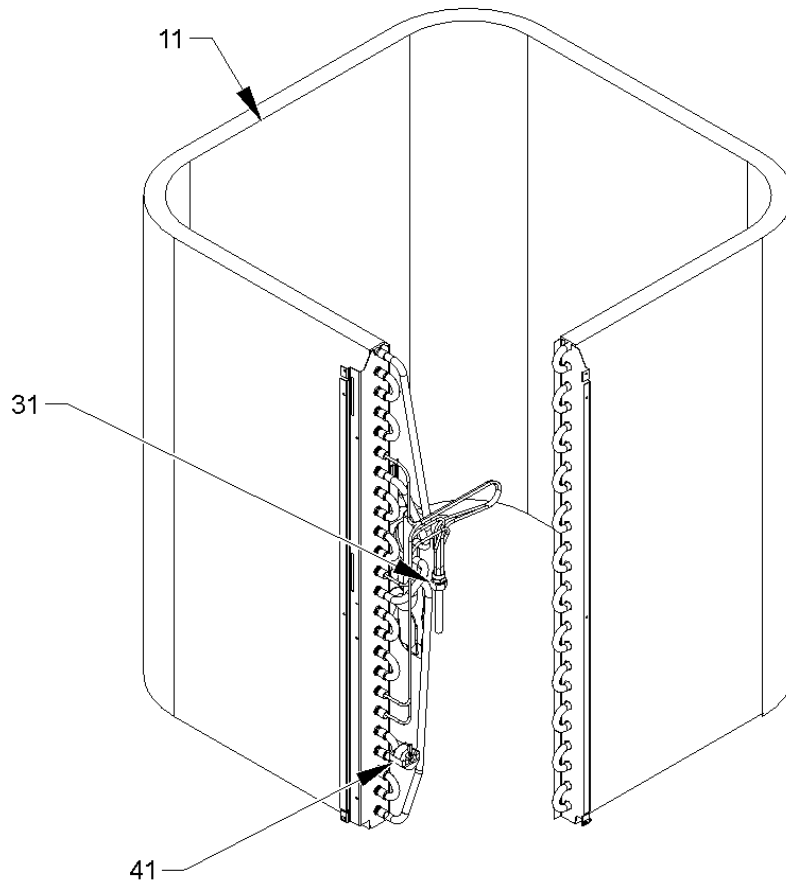
# Control Cover/Control Box

Ref. Part No:	Ref. Part No:	Description:	Description:
<i>Image 1:</i>			
11	0121R00318	LOWER ACCESS PANEL (M9, M10, M11, M12, M13, M14)	
11	0121R00321	LOWER ACCESS PANEL (M7, M8, M18, M19, M20, M21, M22, M23, M24, M25)	
11	0121R00323	LOWER ACCESS PANEL (M1, M2, M3, M4, M5, M6, M15, M16, M17)	
21	0121R00053PDG	CONTROL COVER	
71	CONT1P025024V	CONTACTOR 25 AMP, 1P, 24V (M1, M2, M3, M4, M5, M6, M7, M8)	
71	CONT3P025024V	CONTACTOR 25 AMP, 3P, 24V (M13, M14, M21, M22, M23, M25)	
71	CONT1P030024V	CONTACTOR 30 AMP, 1P, 24V (M9, M10, M11, M12, M15, M16, M17, M18, M19, M20)	
71	CONT2P040024V	CONTACTOR 40 AMP, 2P, 24V (M24)	
81	CAP050300440RS	CAPACITOR 5/30/370V (M2, M3, M4)	
81	CAP050350440RS	CAPACITOR 5/35/440V (M1, M5, M6, M9)	
81	CAP050000370VA	CAPACITOR 5/370V (M13, M14, M21, M22, M23, M25)	
81	CAP050400440RT	CAPACITOR 5/40/440V (M7, M8)	
81	CAP050450440RT	CAPACITOR 5/45/440V (M10, M11, M12)	
81	CAP050550440RT	CAPACITOR 5/55/440V (M15, M16, M17, M18, M19, M20)	
81	CAP050800440RT	CAPACITOR 5/80/440V (M24)	
91	4400065	CAPACITOR STRAP	
131	PCBDM130S	PCB, DEFROST CONTROL	

## Expanded Model Nomenclature

M1 - GSH130181BB
M2 - GSH130181CA
M3 - GSH130181CB
M4 - GSH130241BB
M5 - GSH130241CA
M6 - GSH130241CB
M7 - GSH130301CA
M8 - GSH130301CB
M9 - GSH130361BC
M10 - GSH130361CA
M11 - GSH130361CB
M12 - GSH130361CC
M13 - GSH130363AE
M14 - GSH130363AF
M15 - GSH130421AF
M16 - GSH130421AG
M17 - GSH130421BA
M18 - GSH130481AE
M19 - GSH130481AF
M20 - GSH130481BA
M21 - GSH130483AE
M22 - GSH130483BA
M23 - GSH130484AD
M24 - GSH130601AC
M25 - GSH130603AC

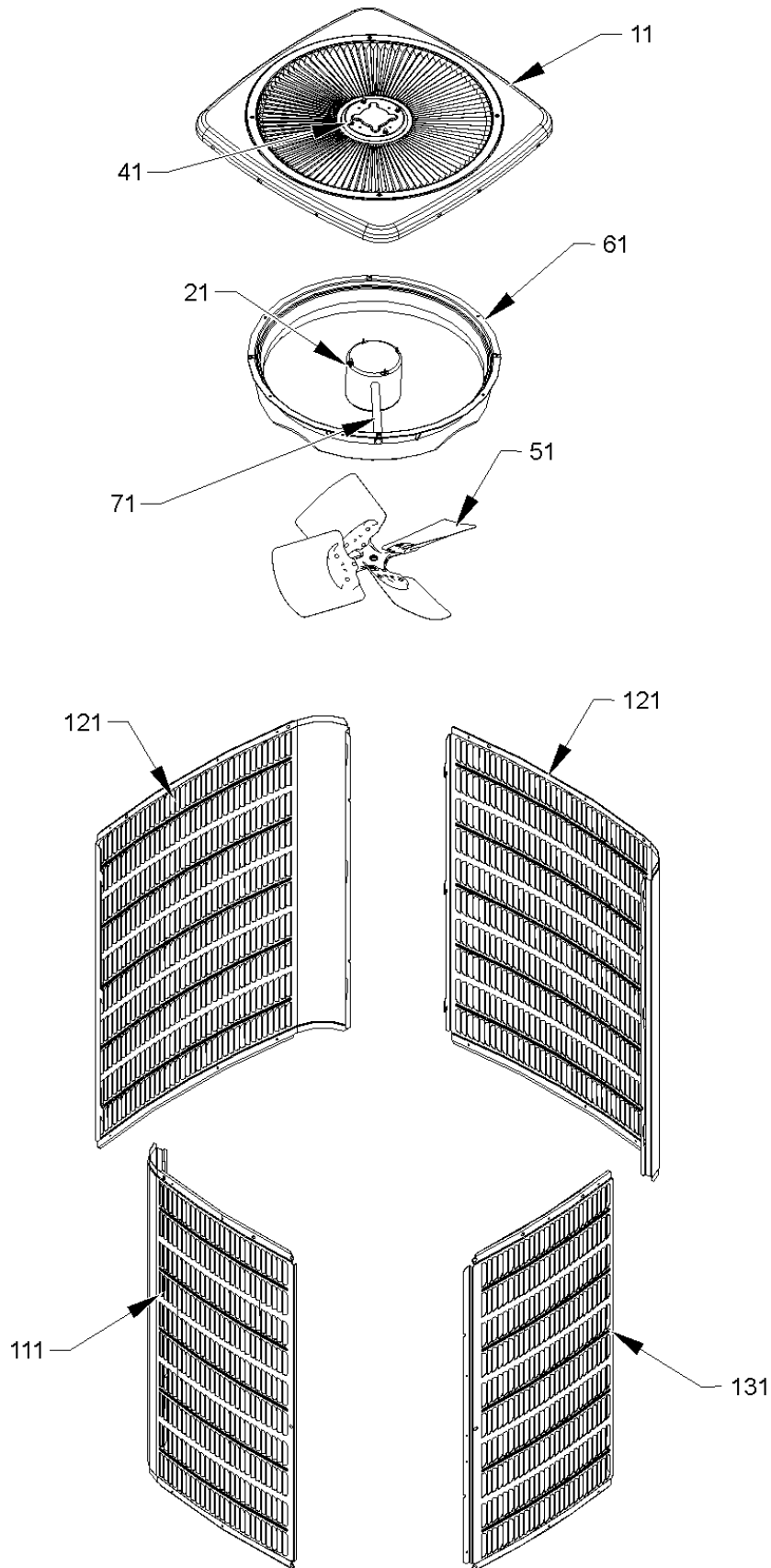
# Basepan/Tubing Assembly



# Basepan/Tubing Assembly

Ref. Part No: No:	Description:	Ref. Part No: No:	Description:
<i>Image 1:</i>		<i>Image 1:</i>	
11 0201R00053	TUBING ASSY, COND COIL (M25)	151 0151R00033	VALVE, BASE 7/8" OPEN LEFT (M9, M10, M11, M12, M13, M14, M15, M16, M17, M18, M19, M20, M21, M22, M23, M24, M25)
11 0201R00068	TUBING ASSY, COND COIL (M18, M19, M20, M21, M22, M23)	191 B1787000	VALVE CORE
11 0201R00070	TUBING ASSY, COND COIL (M15, M16, M17)	NS 0159R00000P	COMPRESSOR SCROLL HARNESS (M2, M3, M5, M6, M7, M8)
11 0201R00196	TUBING ASSY, COND COIL (M7, M8)	NS 0159R00002P	COMPRESSOR SCROLL HARNESS (M10, M11, M12, M17, M20, M22)
11 0201R00207	TUBING ASSY, COND COIL (M1, M2, M3)	NS 0159R00008	COMPRESSOR SCROLL HARNESS (M23)
11 0201R00210	TUBING ASSY, COND COIL (M4, M5, M6)	NS 0159R00009	COMPRESSOR SCROLL HARNESS (M14)
11 0201R00425	TUBING ASSY, COND COIL (M12, M14)	NS 0130M00106	DISC THERMOSTAT(CRNKCS HTR SW) (M17, M20, M22, M23)
11 1362203	TUBING ASSY, COND COIL (M9, M10, M11, M13)	NS B1789855	FLOW CHECK PISTON KIT .055 (M1, M2, M3)
11 1362206	TUBING ASSY, COND COIL (M24)	NS B1789861	FLOW CHECK PISTON KIT .061 (M4, M5, M6)
31 0162M00089	FLOWRATOR .039 (M1, M2, M3)	NS B1789870	FLOW CHECK PISTON KIT .070 (M7, M8)
31 0162M00091	FLOWRATOR .047 (M4, M5, M6)	NS B1789871	FLOW CHECK PISTON KIT .071 (M12, M14)
31 0162M00016P	FLOWRATOR .055 (M9, M10, M11, M13)	NS B1789873	FLOW CHECK PISTON KIT .073 (M9, M10, M11, M13)
31 0162M00090	FLOWRATOR .057 (M7, M8)	NS B1789880	FLOW CHECK PISTON KIT .080 (M17)
31 0162M00065	FLOWRATOR .059 (M12, M14)	NS B1789882	FLOW CHECK PISTON KIT .082 (M15, M16)
31 0162M00017P	FLOWRATOR .062 (M15, M16, M17)	NS B1789884	FLOW CHECK PISTON KIT .084 (M18, M19, M20, M21, M22, M23)
31 0162M00018P	FLOWRATOR .065 (M18, M19, M20, M21, M22, M23)	NS B1789893	FLOW CHECK PISTON KIT .093 (M24, M25)
31 0162M00037	FLOWRATOR .071 (M25)	NS 0163R00004	HEATER CRANKCASE, 460V, 40W (M23)
31 0162M00038	FLOWRATOR .076 (M24)	NS 0163R00007	HEATER, CRANKCASE 230V, 40W (M17, M20, M22)
41 0130M00105	CONTROL, DEFROST	NS 0161R00009P	NAMEPLATE
51 ZR25K5PFV800	COMP, 25300, 208/230/60/1 (M7, M8)	Expanded Model Nomenclature	
51 ZR38K5PFV130	COMP, 38000,208/230/60/1 (M17)	M1 - GSH130181BB	
51 ZR42K5PFV130	COMP, 42200,208/230/60/1 (M20)	M2 - GSH130181CA	
51 ZR16K5PFV800	COMP,15500,208/230/60/1 (M2, M3)	M3 - GSH130181CB	
51 ZR21K5PFV800	COMP,21000,208/230/60/1 (M5, M6)	M4 - GSH130241BB	
51 ZR28K5TF5130	COMP,28400,200/230/60/3 (M14)	M5 - GSH130241CA	
51 ZR28K5PFV800	COMP,28500,208/230/60/1 (M10, M11, M12)	M6 - GSH130241CB	
51 ZR42K5TF5800	COMP,40600,208/230/60/3 (M21)	M7 - GSH130301CA	
51 ZR54K5TF5800	COMP,54200,200/230/60/3 (M25)	M8 - GSH130301CB	
51 CR14K7PFV970	COMPRESSOR 14100, 208/230/60/1 (M1)	M9 - GSH130361BC	
51 CR19K7PFV970	COMPRESSOR 19300, 208/230/60/1 (M4)	M10 - GSH130361CA	
51 CR28K7TF5970	COMPRESSOR 28000, 200/230/60/3 (M13)	M11 - GSH130361CB	
51 CR28K7PFV970	COMPRESSOR 28300, 208/230/60/1 (M9)	M12 - GSH130361CC	
51 ZR36K3PFV930	COMPRESSOR 36900, 208/230/60/1 (M15, M16)	M13 - GSH130363AE	
51 ZR40K3PFV930	COMPRESSOR 40600, 208/230/60/1 (M18, M19)	M14 - GSH130363AF	
51 ZR42K5TF5130	COMPRESSOR 42200,200/230/60/3 (M22)	M15 - GSH130421AF	
51 ZR42K5TFD130	COMPRESSOR 42200,460/60/3 (M23)	M16 - GSH130421AG	
51 ZR52K3PFV930	COMPRESSOR 52000, 208/230/60/1 (M24)	M17 - GSH130421BA	
61 B1225020	SOLENOID COIL CORD W/1/4"TERMINAL	M18 - GSH130481AE	
71 M0221641	TF SHOULDER SCREW (QTY 4)	M19 - GSH130481AF	
81 20485201	BI-FLOW FILTER DRIER	M20 - GSH130481BA	
91 B12825171	3/8" SERVICE VALVE	M21 - GSH130483AE	
101 B1360719	CUT-OUT SWITCH, LOW PRESSURE	M22 - GSH130483BA	
111 B1219301	MUFFLER 1/2 X 1/2 (M1, M2, M3, M4, M5, M6, M7, M8, M9, M10, M11, M12, M13, M14)	M23 - GSH130484AD	
121 B1226206	ACCUMULATOR (M1, M2, M3, M4, M5, M6, M7, M8)	M24 - GSH130601AC	
121 B1226207	ACCUMULATOR .875 (M9, M10, M11, M12, M13, M14, M15, M16, M17, M18, M19, M20, M21, M22, M23, M24, M25)	M25 - GSH130603AC	
131 0151M00018	REVERSING VALVE (M1, M2, M3, M4, M5, M6)		
131 0151M00019	REVERSING VALVE (M7, M8)		
131 0151M00020	REVERSING VALVE (M9, M10, M11, M12, M13, M14, M18, M19, M20, M21, M22, M23, M24, M25)		
131 0151M00021	REVERSING VALVE (M15, M16, M17)		
141 0121R00005PDG	BASE PAN 26" (M1, M2, M3, M4, M5, M6, M7, M8)		
141 0121R00006PDG	BASE PAN 29" (M9, M10, M11, M12, M13, M14, M15, M16, M17, M18, M19, M20, M21, M22, M23)		
141 0121R00007PDG	BASE PAN 35" (M24, M25)		
151 0151R00032	VALVE, BASE 3/4" OPEN LEFT (M1, M2, M3, M4, M5, M6, M7, M8)		

# Cabinet Top/Side Panels





# Cabinet Top/Side Panels

Ref. Part No:	Description:	Ref. Part No:	Description:
<i>Image 1:</i>		<i>Image 1:</i>	
11	0121R00008PDG PANEL, TOP 26" PNT (M1, M2, M3, M4, M5, M6, M7, M8)	131	0121R00153PDG LOUVERED SIDE PANEL [RT OF CNTL PNL] (M7, M8)
11	0121R00010PDG PANEL, TOP 29" PNT (M9, M10, M11, M12, M13, M14, M15, M16, M17, M18, M19, M20, M21, M22, M23)	Expanded Model Nomenclature	
11	0121R00269PDG PANEL, TOP 35" PNT (M24, M25)	<div style="border: 1px solid black; padding: 5px;"> M1 - GSH130181BB  M2 - GSH130181CA  M3 - GSH130181CB  M4 - GSH130241BB  M5 - GSH130241CA  M6 - GSH130241CB  M7 - GSH130301CA  M8 - GSH130301CB  M9 - GSH130361BC  M10 - GSH130361CA  M11 - GSH130361CB  M12 - GSH130361CC  M13 - GSH130363AE  M14 - GSH130363AF  M15 - GSH130421AF  M16 - GSH130421AG  M17 - GSH130421BA  M18 - GSH130481AE  M19 - GSH130481AF  M20 - GSH130481BA  M21 - GSH130483AE  M22 - GSH130483BA  M23 - GSH130484AD  M24 - GSH130601AC  M25 - GSH130603AC </div>	
21	0131M00266 COND 1/8 HP 8 PL PSC MOTOR (M1, M2, M4, M5, M7)		
21	0131M00018P COND MOTOR 1/4 HP, 1 SP, 6 PL (M11, M12, M14, M16, M17, M19, M20)		
21	0131M00022 COND MOTOR 1/4 HP, 8 PL, 460V (M23)		
21	0131M00012P COND MOTOR 1/6 HP, 1 SP, 8 PL (M24, M25)		
21	0131M00061 COND MOTOR, 1/4HP, 1SP, 8PL (M9, M10, M13, M15, M18, M21, M22)		
21	0131M00294 COND MOTOR, 1/8HP, 1SP, 6PL (M3, M6, M8)		
41	0163M00006P ACORN NUT 5/16 HEX BLACK (QTY 4)		
51	0150M00018 FAN BLADE 20" (M1, M2)		
51	0150M00012 FAN BLADE 20" CCW (M4, M5, M7)		
51	0150M00008 FAN BLADE 22" TNT2203-25 (M9, M10, M13, M15, M23)		
51	B1086750 FAN BLADE 22", 3 BLADE, 24° (M12, M14, M19, M20)		
51	10625738 FAN BLADE 26" ALUM CCW (M24, M25)		
51	B1086765 FAN BLADE TYPE 3 (M18, M21, M22)		
51	0150M00031 FAN BLADE, 20", 3 BLADE, 21DEG (M3)		
51	0150M00033 FAN BLADE, 20", 3 BLADE, 24DEG (M6, M8)		
51	0150M00022 FAN BLADE, 22" (M11, M16, M17)		
61	0161L00000 VENTURI RING 22" (M9, M10, M11, M12, M13, M14, M15, M16, M17, M18, M19, M20, M21, M22, M23)		
61	0161R00007P VENTURI RING 35" (M24, M25)		
71	0161R00001P CONDUIT (M1, M2, M3, M4, M5, M6, M7, M8)		
71	0161R00002P CONDUIT (M9, M10, M11, M12, M13, M14, M15, M16, M17, M18, M19, M20, M21, M22, M23)		
71	0161R00004P CONDUIT (M24, M25)		
111	0121R00015PDGB LOUVERED SIDE PANEL [LT OF CNTL PNL] (M1, M2, M3, M4, M5, M6)		
111	0121R00024PDGB LOUVERED SIDE PANEL [LT OF CNTL PNL] (M15, M16, M17)		
111	0121R00025PDGB LOUVERED SIDE PANEL [LT OF CNTL PNL] (M18, M19, M20, M21, M22, M23)		
111	0121R00027PDG LOUVERED SIDE PANEL [LT OF CNTL PNL] (M9, M10, M11, M12, M13, M14)		
111	0121R00042PDGB LOUVERED SIDE PANEL [LT OF CNTL PNL] (M24, M25)		
111	0121R00151PDGB LOUVERED SIDE PANEL [LT OF CNTL PNL] (M7, M8)		
121	0121R00018PDGB LOUVERED SIDE PANEL (M1, M2, M3, M4, M5, M6)		
121	0121R00030PDGB LOUVERED SIDE PANEL (M15, M16, M17)		
121	0121R00031PDGB LOUVERED SIDE PANEL (M18, M19, M20, M21, M22, M23)		
121	0121R00033PDGB LOUVERED SIDE PANEL (M9, M10, M11, M12, M13, M14)		
121	0121R00046PDGB LOUVERED SIDE PANEL (M24, M25)		
121	0121R00152PDGB LOUVERED SIDE PANEL (M7, M8)		
131	0121R00021PDG LOUVERED SIDE PANEL [RT OF CNTL PNL] (M1, M2, M3, M4, M5, M6)		
131	0121R00036PDG LOUVERED SIDE PANEL [RT OF CNTL PNL] (M15, M16, M17)		
131	0121R00037PDG LOUVERED SIDE PANEL [RT OF CNTL PNL] (M18, M19, M20, M21, M22, M23)		
131	0121R00039PDG LOUVERED SIDE PANEL [RT OF CNTL PNL] (M9, M10, M11, M12, M13, M14)		
131	0121R00050PDG LOUVERED SIDE PANEL [RT OF CNTL PNL] (M24, M25)		