

Foot Valve

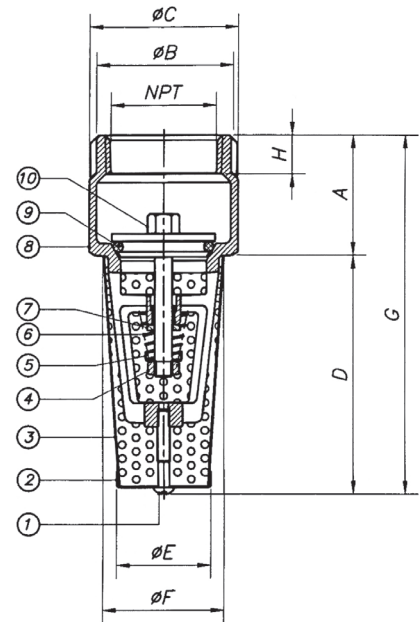
Product Features

- Low-lead brass body
- Pressure ratings for all sizes: 200 PSI WOG
- Soft seat for bubble tight shutoff, spring-loaded for fast-seating action
- Low cracking pressure, 1/2 PSI
- Flow profile designed to minimize head loss
- Perfect sealing both at high and low pressure
- Temperature Range: -40°F and 180°F (-40°C and 80°C)
- High technology materials to ensure best resistance in any condition
- Patented obstructor guide
- Connection: Female NPT ANSI B 1.20.1



PFXBFV

Part Name	Material	Water Contact
1 Filter Bolt	Brass B19 C26000	Y
2 Filter Holder	Stainless Steel 304	Y
3 Filter	Stainless Steel 304	Y
4 Stem Nut	Stainless Steel 304	Y
5 Spring Holder	Stainless Steel 304	Y
6 Spring Holder	Stainless Steel 304	Y
7 Stem House	POM M90 Formocon FM090 CF500P	Y
8 Body	Brass C89550MOD	Y
9 O-Ring	Rubber (NBR) SN-919F	Y
10 Stem	Brass C89550MOD	Y



Size	A	B	C	D	E	F	G	H	
PFXBFVF	3/4" FIP	3/4" FIP	32 / 1.26"	38 / 1.50"	54.1 / 2.13"	23.9 / .94"	29.3 / 1.15"	87.7 / 3.45"	11.6 / .46"
PFXBFVG	1" FIP	1" FIP	39 / 1.54"	45 / 1.77"	79.6 / 3.13"	27.6 / 1.09"	36.6 / 1.44"	118.4 / 4.66"	14.6 / .57"
PFXBFVH	1-1/4" FIP	1-1/4" FIP	48.7 / 1.92"	54 / 2.13"	85.7 / 3.37"	34.2 / 1.35"	43.7 / 1.72"	129 / 5.08"	14 / .55"
PFXBFVJ	1-1/2" FIP	1-1/2" FIP	53.9 / 2.09"	60 / 2.36"	101 / 3.98"	42.5 / 1.67"	50.6 / 1.99"	153.8 / 6.06"	17.5 / .69"
PFXBFVK	2" FIP	2" FIP	68 / 2.55"	77 / 3.03"	124.4 / 4.90"	53.2 / 2.09"	66.8 / 2.63"	189.2 / 7.45"	19.9 / .78"
PFXBFVM	3" FIP	3" FIP	100 / 3.82"	121 / 4.76"	145.7 / 5.74"	86.4 / 3.40"	100.7 / 3.96"	242.7 / 9.56"	30 / 1.18"

Warranty and Codes

This PROFLO product carries a 1-year limited warranty.

Distributed Exclusively by Ferguson and Wolseley Canada
 ©2020 Ferguson Enterprises, LLC

