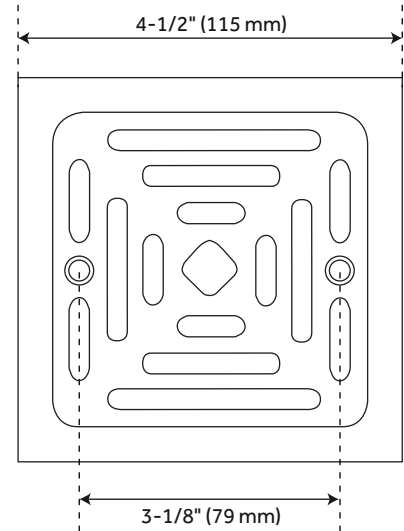
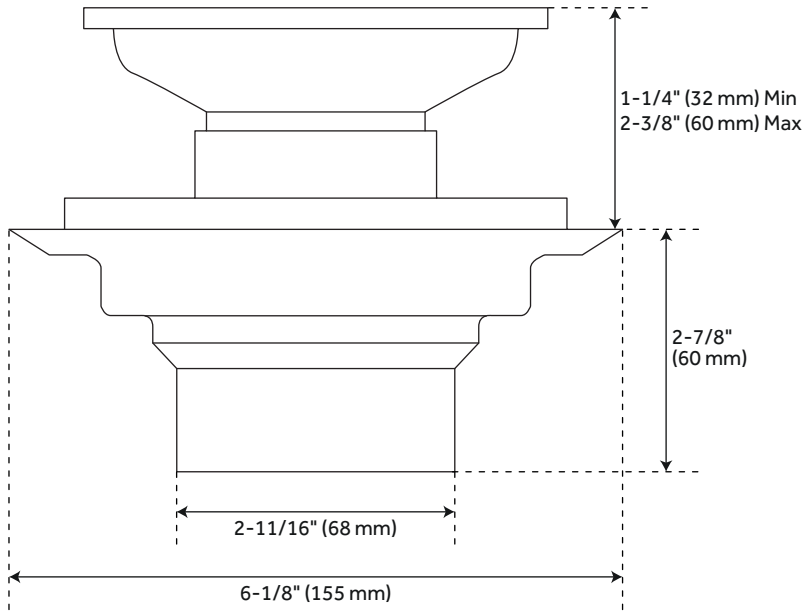


ADELPHI

SQUARE SHOWER DRAIN

SKU: 948035



FEATURES

Basket Material: Brass
Drain Material: PVC
Width: 4-1/2"
Length: 4-1/2"
Height: 1-1/4" min to 2-3/8" max
Drain Diameter: 2-11/16"
Drain Connection: 2" or 3"
Screw Hole Centers: 3-1/8"

CODES/STANDARDS

cUPC
ASME A112.18.2/CSA B125.2

SIGNATURE HARDWARE LIFETIME WARRANTY

See website for warranty information



All dimensions and specifications are nominal and may vary. Use actual products for accuracy in critical situations.

REVISED 02/26/2020
CODE: SH607BN, SH607CP, SH607ORB, SH607PN