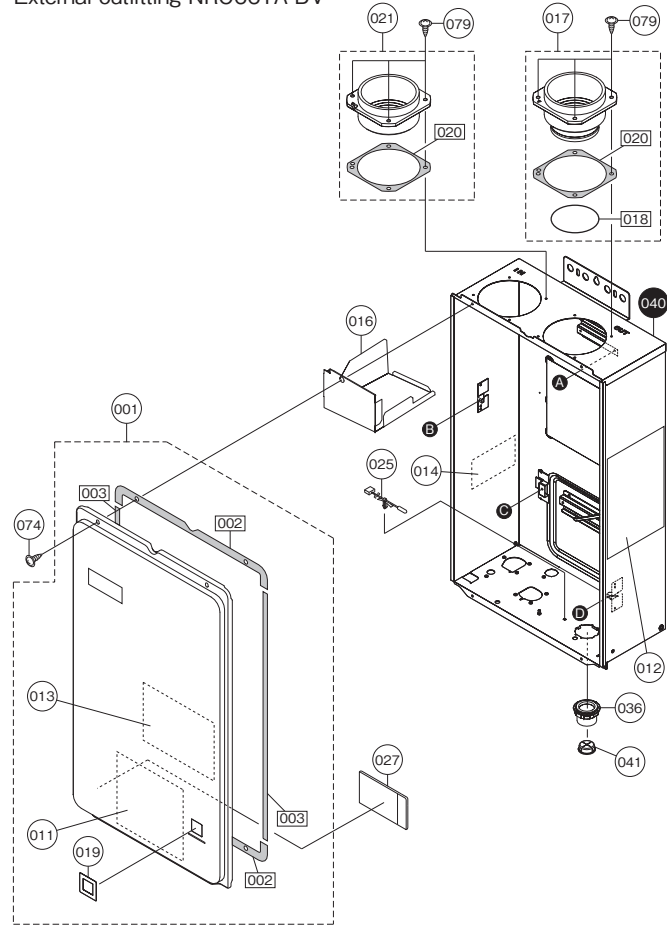
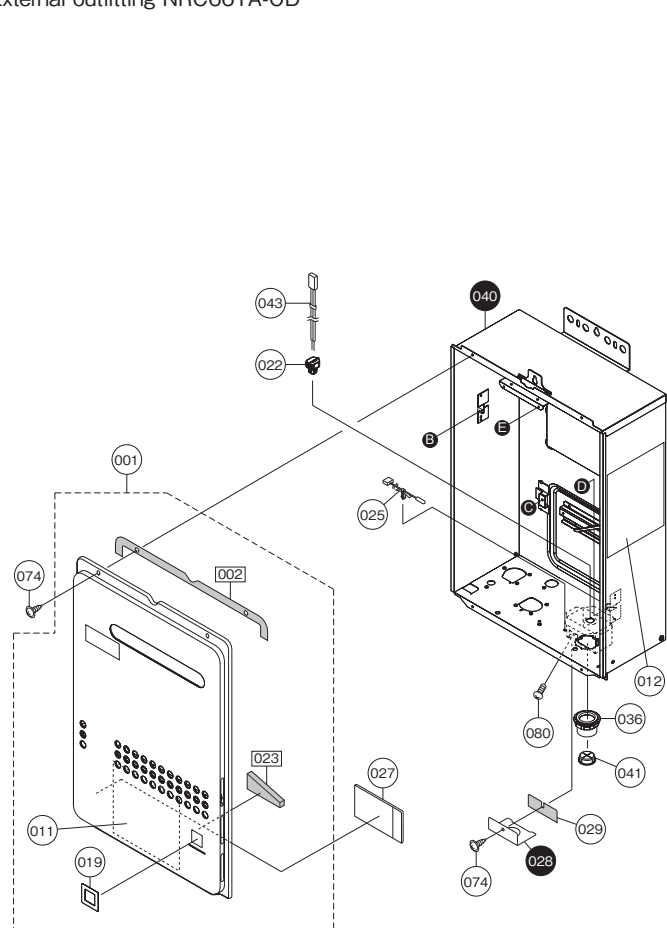


**PARTS LIST**

External outfitting NRC661A-OD



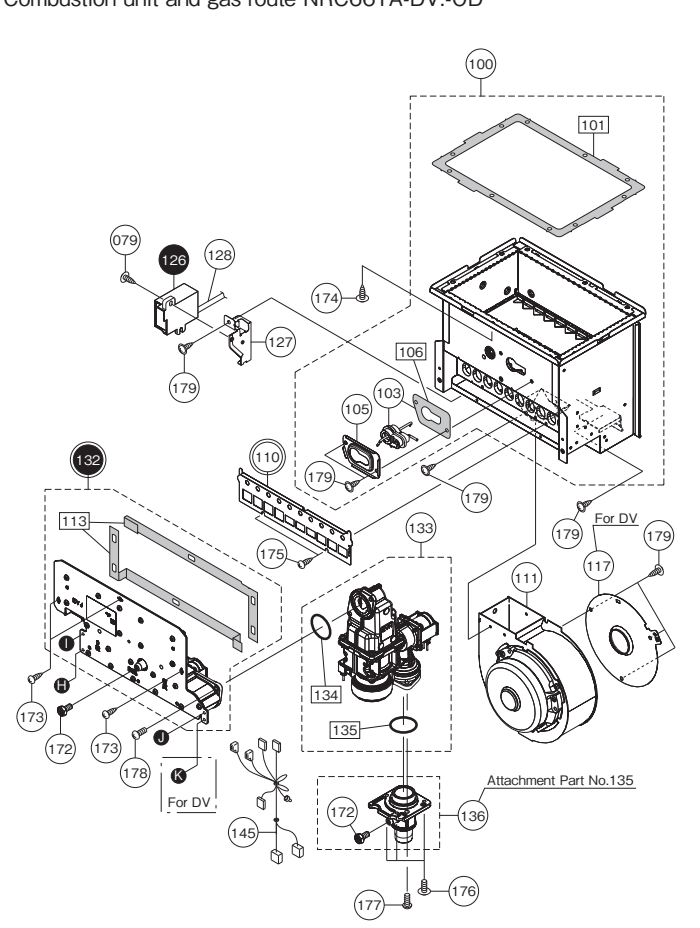
External outfitting NRC661A-OD



External outfitting NRC661A-DV.-OD

Part Nos	Part Names	Order Nos	Q'ty/unit
001	Front Cover - NRC661A-DV (SET)	SKJ70B5	1<NRC661A-DV>
	Front Cover - NRC661-OD (SET)	SKJ70BT	1<NRC661A-OD>
002	Gasket - Front Cover Top and Bottom	EAL002	2<NRC661A-DV>
	Gasket - Front Cover Top and Bottom	EAL002	1<NRC661A-OD>
003	Gasket - Front Cover Sides	AAPL017	2<NRC661A-DV>
011	Wiring Diagram	EVRK001	1
012	Label - Outside Case Caution Label	EVRK004	1<NRC661A-DV>
013	Label - Inside Front Cover Caution Label	ELVK006	1<NRC661A-DV>
014	Label - Name Plate	EVQK010	1<NRC661A-DV>
016	Air intake deflector plate - plastic	EVS006	1<NRC661A-DV>
017	Exhaust Flue w/ O-Ring and Gasket (SET)	EVSF021	1<NRC661A-DV>
018	O-Ring - Exhaust Flue Φ72.62	EVSF024	1<NRC661A-DV>
019	Sight Glass Window	EVRK002	1
020	Gasket - Exhaust Flue	EVSF023	2<NRC661A-DV>
021	Intake Flue w/ Gasket (SET)	EVSF031	1<NRC661A-DV>
022	Inlet Power Wire Clip	ETPA073	1<NRC661A-OD>
023	Gasket - Sight Glass Window	EVL001	1<NRC661A-OD>
025	Thermistor - Air	BWCH003	1
027	Parts List/ Technical sheet	EXQK051	1
028	Junction Box Cover	ENJA025	1<NRC661A-OD>
029	Gasket - Junction Box Cover	ENWL005	1<NRC661A-OD>
036	Wiring Through Way	EQMA055	1
040	Case - NRC661-DV	EVSA001	1<NRC661A-DV>
	Case - NRC661-OD	EVR001	1<NRC661A-OD>
041	Wire Grommet - Rubber	CXPA026	1
043	Inlet Power Wires	ENJA020	1<NRC661A-OD>
074	Screw - Front Cover with washer M4X12 S410		
079	Screw - Long Tapping M4X12 S410		<NRC661A-OD>
080	Screw - Remote Terminal M4XB S430		

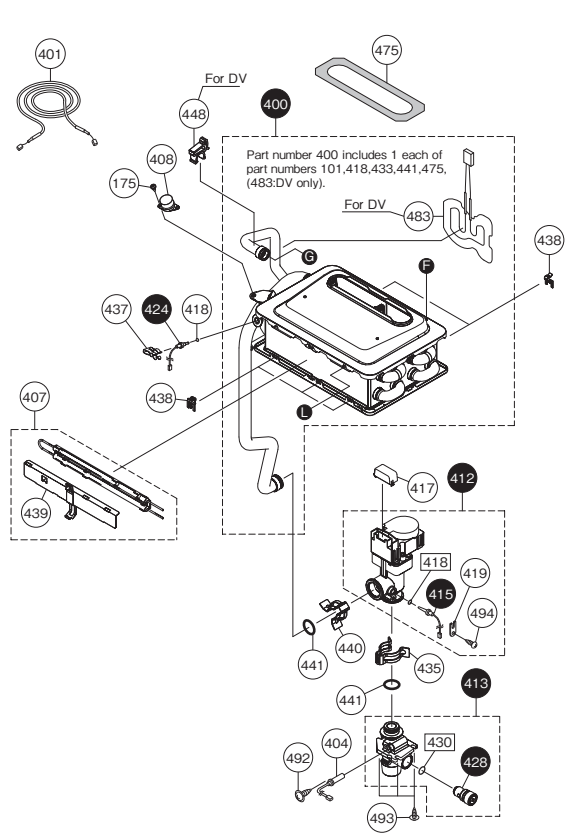
Combustion unit and gas route NRC661A-DV.-OD



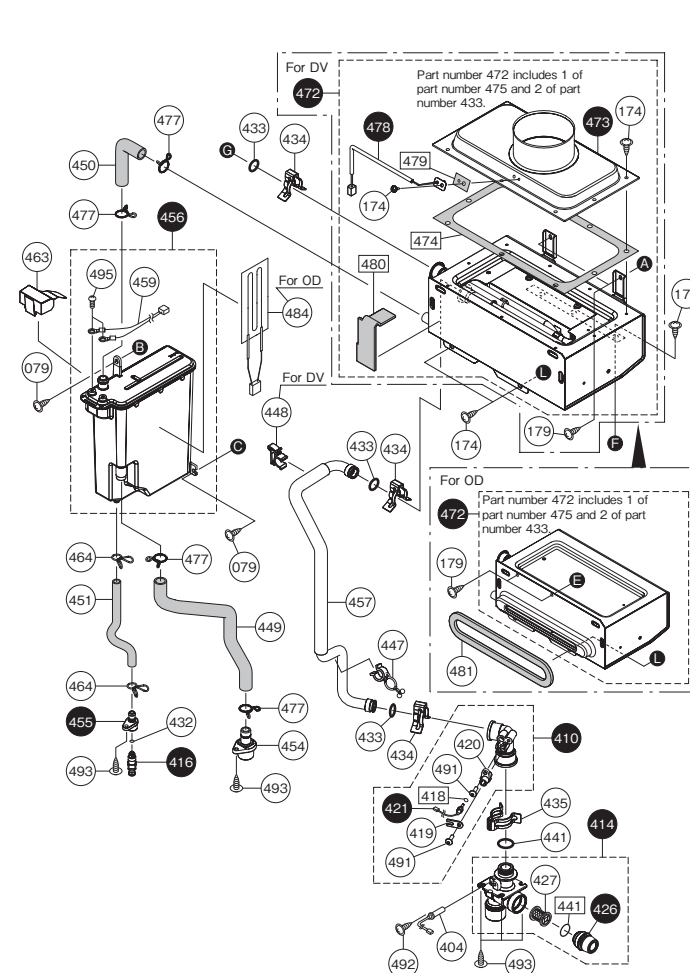
Combustion unit and gas route NRC661A-DV.-OD

Part Nos	Part Names	Order Nos	Q'ty/unit
100	Burner w/ Gasket and Ignition Plug (SET)	SKJ70BU	1
101	Gasket - Burner	EVLU002	1
103	Ignition Plug w/ Gasket	SKH7391	1
105	Mounting Plate - Ignition Plug	EULC022	1
106	Gasket - Ignition Plug	EULL003	1
110	Burner Damper 10-2	EVJC082	1<LP>
	Burner Damper 10-4	EVJC084	1<NG>
111	Fan Motor w/ Housing	SKJ70BG	1<NRC661A-DV>
	Fan Motor w/ Housing	SKE7389	1<NRC661A-OD>
113	Gasket - Manifold Plate	EVLU012	2
117	Fan Plate Φ32	EVSP051	1<NRC661A-DV>
126	Igniter	ERD1112	1
127	Mounting Plate - Igniter	EVHA016	1
128	High Voltage Igniter Wire	ALSJ072	1
132	Manifold Plate 09-14 (SET)	SKJ70F7	1<LP>
	Manifold Plate 13-22 (SET)	SKJ70BH1	1<NG>
133	Gas Valve	SKJ70BV	1
134	O-Ring - Gas Solenoid	SA46044	1
135	O-Ring - Gas Valve Bottom	1648306	1
136	Inlet Gas Connection w/ Screw (SET)	SKJ70BW	1
145	Wiring Harness - Gas Valve	EVH0016	1
172	Screw - Inlet and Manifold Gas M4XB	SAC6082	2
173	Screw - Large Manifold Plate M5X16 S410		
174	Screw - Medium Tapping M4X10 S410		
175	Screw - Small Tapping w/o collar M4XB S410		
176	Screw - Machine Screw M4X12 S430		
177	Screw - Mounting Machine M5X12 S430		
178	Screw - Machine w/ guide M4X14		
179	Screw - Short Tapping M4XB S410		

Hot-water feed route 1 NRC661A-DV.-OD



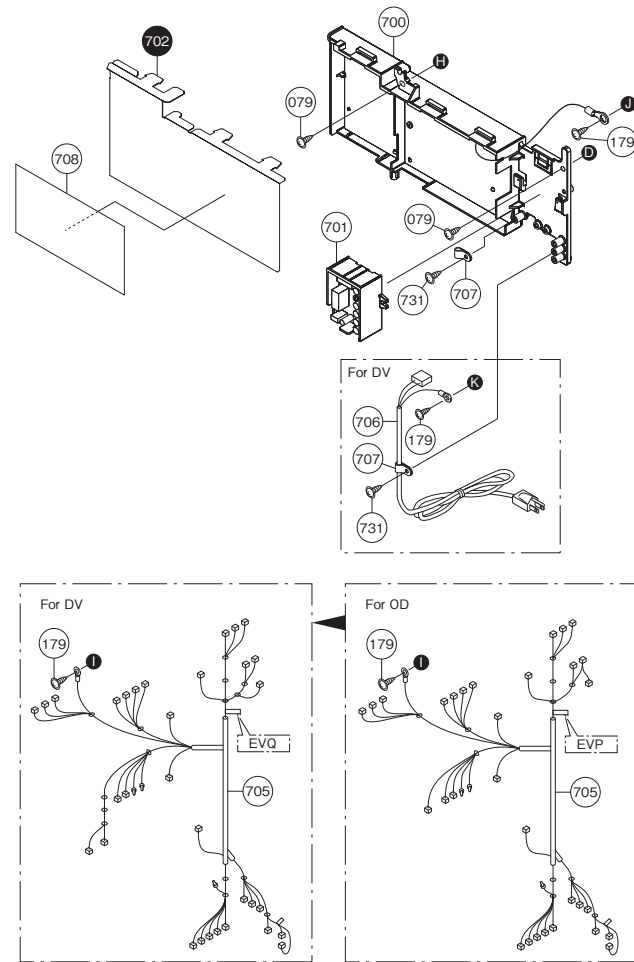
Hot-water feed route 2 NRC661A-DV.-OD



Hot-water feed route NRC661A-DV.-OD

Part Nos	Part Names	Order Nos	Q'ty/unit
400	Heat Exchanger Kit (DV) (SET)	SKJ70R7	1<NRC661A-DV>
	Heat Exchanger Kit (OD) (SET)	SKJ70R6	1<NRC661A-OD>
401	Thermal Fuse	EVH010	1
404	Freeze Prevention Heater - Round Short	EPH0003	2
407	Freeze Prevention Heater - Double Round (SET)	SKJ70BN	1
408	High Limit Switch	ENJH001	1
410	Water Flow Sensor (SET)	EBTD041	1
412	Water Servo -Main (SET)	JDWD001	1
413	Outlet Water Connection	EVRD001	1
414	Inlet Water Connection (SET)	EVRD003	1
415	Thermistor - Hot Water	BWCC098	1
416	Drain Cock	CRUD003	1
417	Wire Cover - Servo	EBTD023	1
418	O-Ring - Thermistor High Temp P4	1323709	3
419	Thermistor Holding Plate	ALSD088	2
420	Magnetic Sensor - Flow Sensor	BWCC090	1
421	Thermistor - Cold Water	EBTD047	1
424	Thermistor -Heat Exchanger	BWCC098	1
426	Water Filter Cap	DTJD006	1
427	Water Filter	EGBD032	1
428	Safety Relief Valve	SA2811	1
430	O-Ring - High Temp P9	SAD6635	1
432	O-Ring - High Temp P3	SAD6633	1
433	O-Ring - High Temp P12.5	3359808	3
434	"C" Clamp - Water Pipe 13-22	SAD6537	3
435	"C" Clamp - Water Pipe 16A	6340300	2
437	"C" Clamp - Thermistor	CRUD065	1
438	Clamp - Thermal Fuse	EVH004	5
439	Clamp - Freeze Prevention	EVSH001	1
440	"C" Clamp - Water Pipe 16-25	SAD6593	1
441	O-Ring - High Temp P16	3223302	4
447	Clip - Harness	HGKL015	1
448	Clamp - Harness	SA92774	2<NRC661A-DV>
449	Drain Hose - Condensate	EVRP042	1
450	Drain Hose - SS HEX	EVHF041	1
451	Drain Hose - Neutralizer / Condensate Container	EVHF043	1
454	Drain Connection - Condensate	EPHF001	1
455	Drain Connection - Neutralizer / Condensate Container	EMDF309	1
456	Condensate Container (SET)	EVRP031	1
457	Pipe - Flow Sensor to SS Heat Exchanger	EVHD011	1
459	Wiring Harness - Water Level Electrode	EVRD021	1
463	Cover - Water Level Electrode	EVHA017	1
464	Clamp - Container Hose Φ8	EMUD005	2
472	Heat Exchanger Kit - Secondary SS (DV) (SET)	SKJ70BP	1<NRC661A-DV>
	Heat Exchanger Kit - Secondary SS (OD) (SET)	SKJ70BN	1<NRC661A-OD>
473	Exhaust Box	EVSF101	1<NRC661A-DV>
474	Gasket - Exhaust Box	EVSU001	1<NRC661A-DV>
475	Gasket - Secondary Heat Exchanger	EVL013	1
477	Clamp - Container Hose Φ15.5	SAD6678	4
478	Thermistor - Exhaust	ETHH002	1<NRC661A-DV>
479	Gasket - Exhaust Thermistor	ETHL004	1<NRC661A-DV>
480	Packing - Exhaust Thermistor	ETHL006	1<NRC661A-DV>
481	Gasket - Exhaust (OD)	DJLP007	1<NRC661A-OD>
483	Freeze Prevention Heater	EVRH002	1<NRC661A-DV>
484	Freeze Prevention Heater - Condensate Container	ETHH004	1<NRC661A-OD>
491	Screw - Round Head Medium Tapping M4X10 S305		
492	Screw - Short Machined M4XB S410		
493	Screw - Long Machine M4X12 S410		
494	Screw - Round Head Medium Tapping M4X10 S410		
495	Screw - Small Tapping M4X20		

Electronic control unit NRC661A-DV.-OD

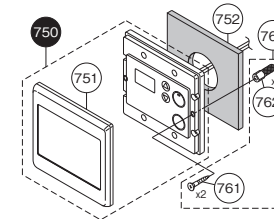


Electronic control unit NRC661A-DV.-OD

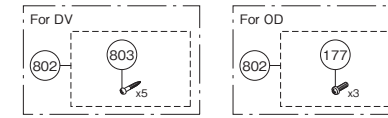
Part No.	Part Names	Order Nos.	Qty/unit
700	Circuit Board	SHC702L	1
701	Circuit Board	SHC701M	1
702	Cover - Circuit Board	EVHA015	1
705	Wiring Harness - NRC711-DV Wiring Harness - NRC711-OD	SKJ700S SKJ700R	1<NRC661A-DV> 1<NRC661A-OD>
706	Power Supply Cord	ERJLJ001	1<NRC661A-DV>
707	Wire Clamp - Nylon Wire Clamp - Nylon	7287909 7287909	2<NRC661A-DV> 1<NRC661A-OD>
708	Label - Circuit Board Plastic Cover	EVPK006	1
731	Screw - Remote Terminal Cover M4X12 S410		

Remote controller, Attached set NRC661A-DV.-OD

Optional  
Remote controller  
RC-7651M-ENG



Attached set



<Special part>

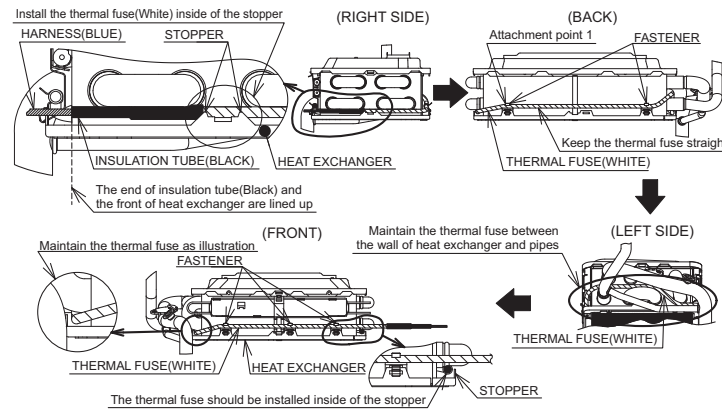
Special part	Special part no.
Owner's guide	888
Installation manual	889

※ To request a French version of the Owner's guide or Installation manual, contact Noritz America.

Remote controller, Attached set NRC661A-DV.-OD

Part No.	Part Names	Order Nos.	Qty/unit
750	Remote Controller - RC-7651M (SET)	QXLU017	1
751	Cover - Remote	QMEA003	1
752	Mounting Packing - Remote	QHUA115	1
760	Screw Package - Remote(SET)	OQUA100	1
761	Screw - Round Head Wood M4.1X25 S305		
762	Dry Wall Anchors 6X25		
800	Box - NRC661-DV Box - NRC661-OD	SKJ70BY SKJ70BZ	1<NRC661A-DV> 1<NRC661A-OD>
802	Label - Gas Type LP Wood Screw set5 Screw Package - Mounting OD	ESCK008 SAF6007 SAB2286	1<LP> 1<NRC661A-DV> 1<NRC661A-OD>
803	Screw - Round Head Wood 4.8X38 S305		1<NRC661A-DV> 1
888	Owner's Guide NRC711(DV.-OD)	SBB8067	1
889	Installation Manual NRC711-DV Installation Manual NRC711-OD	SBB806U SBB8068	1<NRC661A-DV> 1<NRC661A-OD>

Thermal Fuse Installation Procedure



Install the thermal fuse following the below procedure.

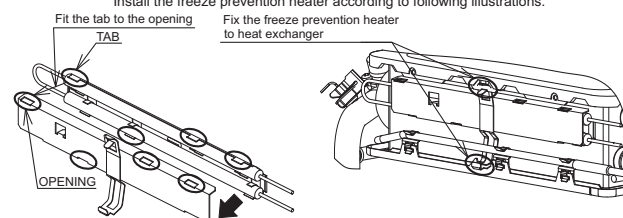
1. Begin the installation by attaching the thermal fuse to the right side of the heat exchanger.
2. Bend the thermal fuse to the back of the heat exchanger and fixing the thermal fuse by the fastener at attachment point 1 as indicated in the above illustration.
3. Continue wrapping the thermal fuse around the heat exchanger securing it at each attachment point using the fasteners shown in the above illustrations.

Caution

The thermal fuse may snap if it is twisted, pinched or bent too sharply. Do not bend the thermal fuse to a radius of less than 1.25".

Freeze Prevention Heater Installation Procedure

Please check the present position and re-install to the original position. Install the freeze prevention heater according to following illustrations.



Procedure for Flushing the Heat Exchanger

This procedure is only intended for use by a qualified service professional or authorized Noritz Service Representative. Any unauthorized use of this procedure may result in voiding the warranty. Please contact Noritz America (866-766-7489) for additional support.

If the error code "C\*#\*-C\*#" is flashing on the Display Window, it means there is Scale Build-up in the Heat Exchanger. The Heat Exchanger needs to be flushed\*\* to remove the Scale Build-up. Damage to the water heater due to Scale Build-up is not covered by the water heater's warranty. To clear the error code "C\*#\*-C\*#", the Heat Exchanger must be flushed.

If the error code "C\*#" is displayed and flashing in the Display Window, please contact Noritz America (866-766-7489).

\* \* = 1, 2, 3, 4, F

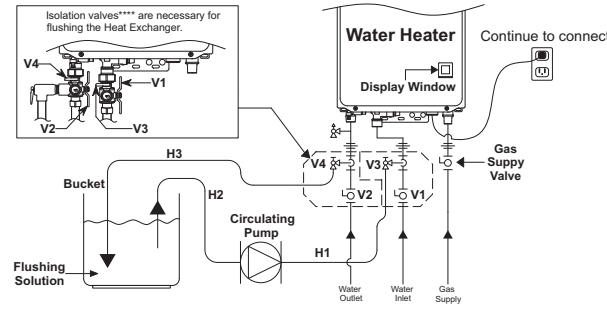
# = 1, 2, 3, 4, 5, 6, 7, 8, 9, A, b, C, d, E, F

\*\* Connect the "blue connector" for flushing on the Circuit Board when flushing the Heat Exchanger. After connecting it, the water heater is set to "Flushing Mode".

The water heater must remain connected to electrical power when flushing the Heat Exchanger.

<< 1. The preparation of the flushing system >>

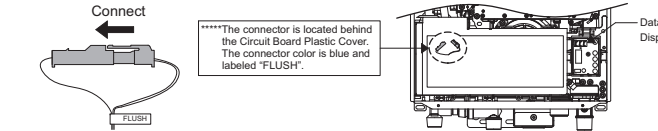
1. Close the gas supply valve.
2. Close the water inlet valve (V1) and the water outlet valve (V2).
3. Connect the one drain hose (H1) to the drain valve (V3), and then the other to the circulating pump.
4. Connect the drain hose (H2) to the circulating pump.
5. Connect the drain hose (H3) to the drain valve (V4).
6. Pour 4 gallons or more of flushing solution\*\*\* into the bucket.
7. Place the both drain hoses (H2 and H3) into the bucket filled with the flushing solution.



\*\*\* Isolation valves\*\*\*\* are necessary for flushing the Heat Exchanger. They allow for full diagnostic testing and easy flushing of the system. Contact Noritz America for more information (866-766-7489).

<< 2. Flushing the Heat Exchanger >>

1. Open the Front Cover.
2. Connect the "blue connector"\*\*\*\* for flushing on the Circuit Board.



3. Then the code "CCC" is displayed on the Data Display.

CCC

4. Turn on the circulating pump to circulate the flushing solution through the water heater for 1 hour at a rate of 1.5 gallons per minute or more.
5. The code "C60" is displayed on the Data Display when the water heater detects the flow of the flushing solution.

When 1 minute passes, the code "C60" will change to "C59" on the Data Display.



Please check whether the reverse connection of the hose (H1) and (H3) if the display number will not change. In that case, the flow rate of the flushing solution may be under 1.5 gallons per minute.

6. When 1 hour passes, the code "C00" is flashing on the Data Display. Do not disconnect the "blue connector for flushing" on the Circuit Board.

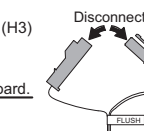
C00 Flashing

7. Turn off the circulating pump.

<< 3. Cleaning the Heat Exchanger >>

The flushing solution needs to be rinsed and cleaned out of the water heater. Below is the way to rinse and clean the flushing solution.

1. Remove both drain hoses (H2 and H3) from the bucket. And then place the drain hose (H3) into the sink or outside to drain.
2. Close the drain valve (V3) and then open the water inlet valve (V1). Do not open the fresh water outlet valve (V2).
3. Clean the water heater with fresh water for 3 minutes or more. (Needs to have enough time to clean the water heater.)
4. Close the drain valve (V4) and then remove the drain hose (H3) from the drain valve (V4).
5. Remove the drain hose (H1) from the drain valve (V3).
6. Disconnect the "blue connector for flushing" on the Circuit Board. The code "C00" goes out on the Data Display.
7. Close the Front Cover.
8. Open the gas supply valve and water outlet valve (V2).
9. Check for correct operation of the water heater.



The water heater can not operate if the "blue connector" for flushing is connected.

Please contact Noritz America if more information is needed for flushing. (Phone #: 866-766-7489)