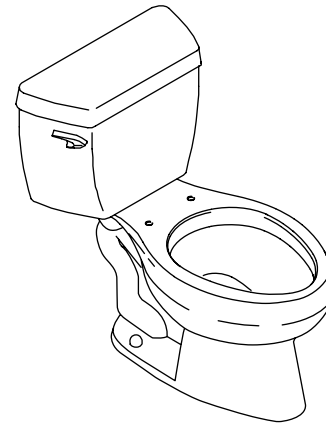


Features

- Ingenium® flushing system
- 2" (5.1 cm) glazed trapway
- Combination toilet
- Less seat and supply
- With Insuliner® insulated tank lining
- With tank cover locks (-T)
- Polished chrome trip lever
- 1.6 gpf (6 lpf)
- Elongated vitreous china bowl
- 10" (25.4 cm) rough-in
- 11-1/8" (28.3 cm) x 9-1/4" (23.5 cm) water area
- With right-hand trip lever (-RA)
- With bedpan lugs (-L)



Codes/Standards Applicable

Specified model meets or exceeds the following:

- ASME A112.19.2/CSA B45.1
- Energy Policy Act of 1992

Colors/Finishes

- 0: White
- Other: Refer to Price Book for additional colors/finishes

Accessories

- 0: White
- CP: Polished Chrome
- PB: Vibrant® Polished Brass
- Other: Refer to Price Book for additional colors/finishes

Specified Model

Model	Description	Colors/Finishes	
K-3432	Elongated bowl toilet (left-hand trip lever)	<input type="checkbox"/> 0 White	<input type="checkbox"/> Other _____
K-3432-U	Toilet with Insuliner tank (left-hand trip lever)	<input type="checkbox"/> 0 White	<input type="checkbox"/> Other _____
K-3432-T	Toilet with tank cover locks (left-hand trip lever)	<input type="checkbox"/> 0 White	<input type="checkbox"/> Other _____
K-3432-UT	Toilet with Insuliner tank and tank cover locks (LH trip lever)	<input type="checkbox"/> 0 White	<input type="checkbox"/> Other _____
K-4273-L/K4620	Toilet with bedpan lugs (left-hand trip lever)	<input type="checkbox"/> 0 White	<input type="checkbox"/> Other _____
K-3432-RA	Elongated bowl toilet (right-hand trip lever)	<input type="checkbox"/> 0 White	<input type="checkbox"/> Other _____
K-3432-TR	Toilet with tank cover locks (right-hand trip lever)	<input type="checkbox"/> 0 White	<input type="checkbox"/> Other _____
K-3432-UR	Toilet with Insuliner tank (right-hand trip lever)	<input type="checkbox"/> 0 White	<input type="checkbox"/> Other _____
K-3432-RZ	Toilet with Insuliner tank and tank cover locks (RH trip lever)	<input type="checkbox"/> 0 White	<input type="checkbox"/> Other _____
K-4273-L/K-4620-RA	Toilet with bedpan lugs (right-hand trip lever)	<input type="checkbox"/> 0 White	<input type="checkbox"/> Other _____
Recommended Accessories and Optional Accessories on Page 2			

Product Specification:

The elongated combination toilet shall be 10" (25.4 cm) rough-in. Toilet shall be made of vitreous china. Toilet shall have 11-1/8" (28.3 cm) x 9-1/4" (23.5 cm) water area. Toilet shall be 1.6 gpf (6 lpf) with Ingenium® flushing system. Toilet shall have 2" (5.1 cm) glazed trapway. Toilet shall include polished chrome trip lever. Toilet shall be less seat and supply. Toilet shall have right-hand trip lever (-RA). Toilet shall have bedpan lugs (-L). Toilet shall have Insuliner® insulated tank lining (-U). Toilet shall have tank cover locks (-T). Toilet shall be Kohler Model K-3432-_____ -_____.

WELLWORTH®

Recommended Accessories

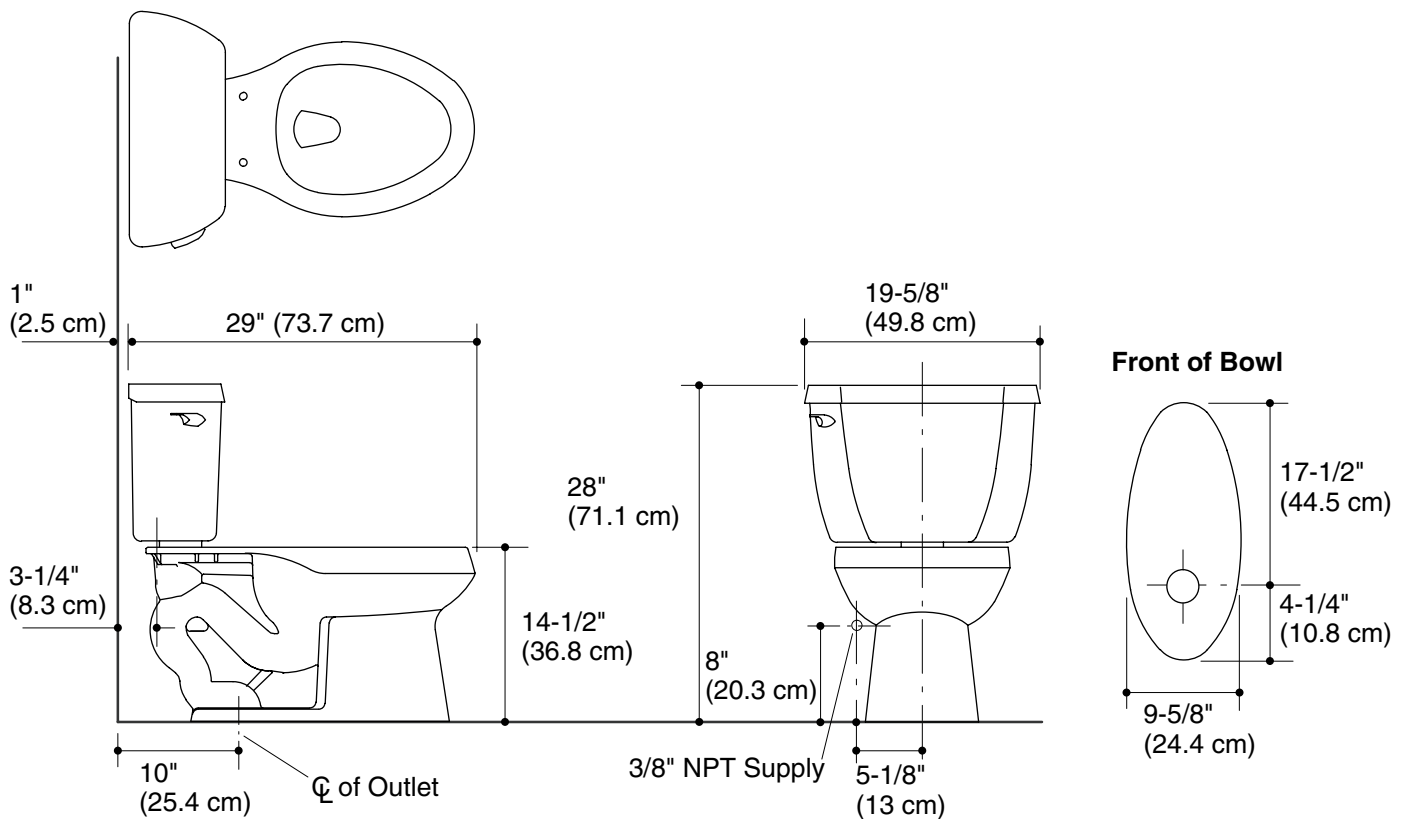
K-4664	Brevia™ seat with cover	<input type="checkbox"/> White	<input type="checkbox"/> Other _____
K-4653	French Curve® seat with cover	<input type="checkbox"/> White	<input type="checkbox"/> Other _____
K-7637	Angle supply with stop	<input type="checkbox"/> CP	<input type="checkbox"/> PB

Optional Accessories

K-9404-L	Trip lever, left-hand (non-CP)	<input type="checkbox"/> PB	<input type="checkbox"/> Other _____
K-9404-R	Trip lever, right-hand (non-CP)	<input type="checkbox"/> PB	<input type="checkbox"/> Other _____

Installation Notes

Install this product according to the installation guide.



Product Diagram