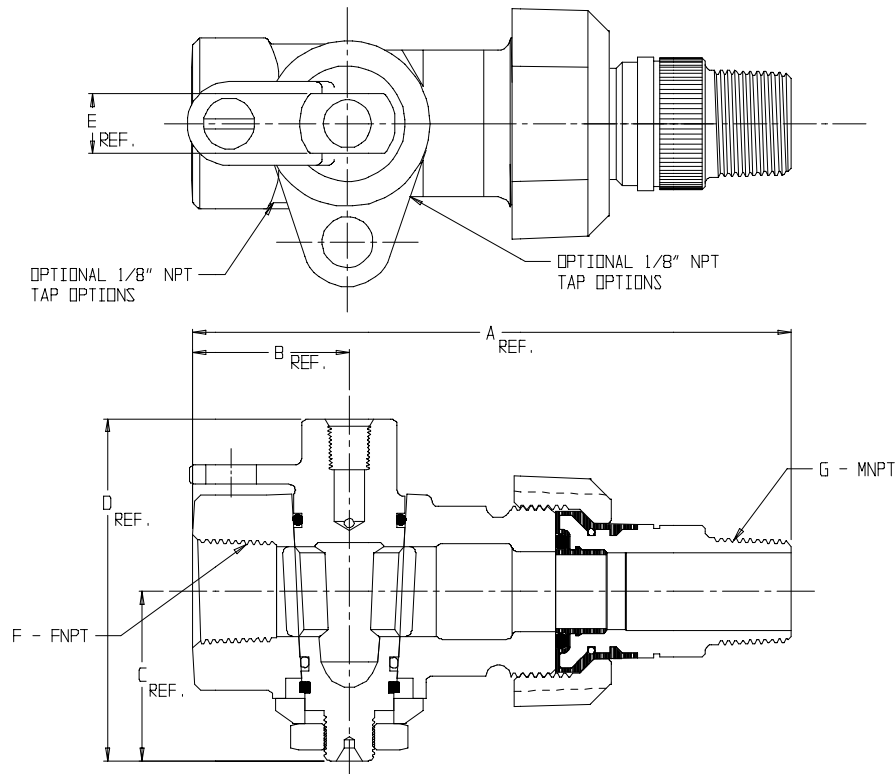


SUBMITTAL DATA SHEET

Iron Body Gas Plug Valves with Lockwing -6316 Series

FNPT x MNPT Union



SIZE	A	B	C	D	E	F	G
3/4	5.86	1.53	1.66	3.35	.94	3/4	3/4
3/4 X 4.00	7.56	1.53	1.66	3.35	.94	3/4	3/4

SUBMITTAL INFORMATION

- Manufactured in compliance with ANSI/ASME B16.33 (latest revision)
- Brass castings conform to ASTM B584, UNS C83600 or C84400 (latest revision)
- Iron castings conform to ASTM A126 Class B Iron, with optional zinc coating per ASTM B633 with clear chromate coating and silicate sealer (latest revisions)
- Rated for 175 PSIG natural, manufactured, or LP gas pressure
- Valve can be re-lubricated while in service and under pressure
- Plug rotates 360°
- Tamper-resistant design prevents disassembly with normal household tools
- Port opening sized to accommodate the best known stop changers
- Lockwing design accommodates standard barrel locks



A.Y. McDonald Mfg. Co.
P.O. Box 508
Dubuque, IA 52004-508

Toll Free: 1-800-292-2737
Fax: 1-800-832-9296
Hours: 7:00 a.m. - 5:00 p.m., CST

sales@aymcdonald.com
www.aymcdonald.com

A.Y. McDonald considers the information on this assembly drawing correct when published. Item and option availability, including specifications, are subject to change without notice.

Submitted by: